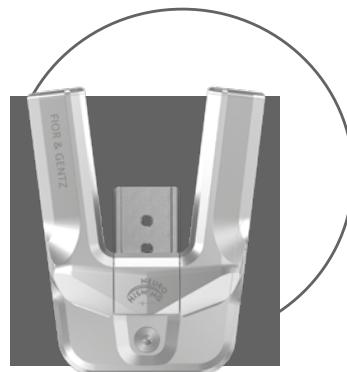
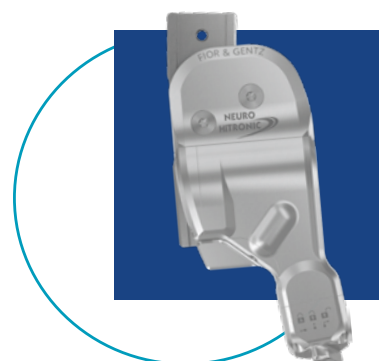


Product Catalogue

System Joints and Articulated System Side Bars

ONLINE UPDATE
03/2024



Dear Customer,

With the new edition of this catalogue, we would like to briefly present you, in addition to our entire product range, the innovative new products at FIOR & GENTZ. With the development of our products, we wish to make a contribution and support you in your craft to enable you to provide your patients with custom-made orthoses in the best possible way.



New System Ankle Joints with plug + go Modularity

We extended our product range by three new system ankle joints: the NEURO CLASSIC-SPRING replaces the NEURO SPRING system ankle joint. The NEURO VARIO-SPRING 2 was designed with plug + go modularity and is a development of the NEURO VARIO-SPRING system ankle joint. The NEURO HiSWING is the first hydraulic ankle joint in orthotics worldwide. The product range of the system ankle joints with plug + go modularity now includes nine system joints which makes it possible to quickly and easily adapt the function of the orthosis to the patient's needs by exchanging the functional unit.

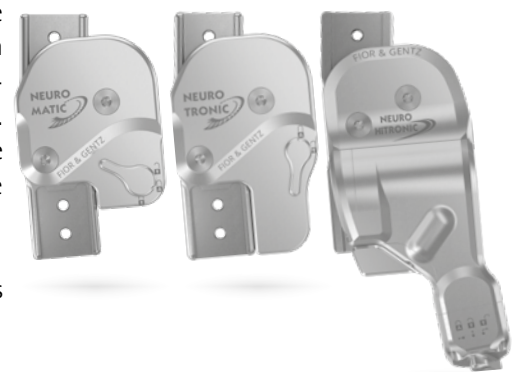
New System Knee Joints with Plug + Go Modularity

Furthermore, we added two new free moving system knee joints to the system knee joint section which were designed with plug + go modularity. The NEURO VARIO 2 enables a simple, infinite adjustability at knee level and the NEURO VARIO-SWING offers additionally a dynamic extension stop. Of course, you already know similar functions from our system ankle joints. Thanks to these similarities, a KAFO can now also be adjusted infinitely and easily to the patient's needs at both joint levels. The system knee joints are now available in the system widths 12mm, 14mm, 16mm and 20mm.



Electrohydraulic System Knee Joint NEURO HiTRONIC

We extended the product range of the automatic system knee joints by the electrohydraulic system knee joint NEURO HiTRONIC. The development of a system joint of this kind required new technologies and solutions, as a joint for a custom-made orthosis must be significantly smaller than, for example, a joint for a prosthesis. The system joint must fit next to the leg and fit easily under trousers. Based on these requirements, we developed an integrated microhydraulic system which is unique in its size and functionality.



We would like to thank you for the trusting cooperation and wish you every success in the treatment of your patients. We always appreciate your helpful feedback!

With best regards from Lüneburg
Your FIOR & GENTZ team

catalogue cover

KAFO with NEURO TRONIC system knee joint and NEURO HiSWING system ankle joint, orthosis shoe CROSSROADS

small images, top down: NEURO HiTRONIC, NEURO LOCK Carbon, NEURO HiSWING

Service and Support	A1
360° Orthotics	A2 – A4
Webshop and Orthosis Configurator	A5 – A6
News	A7 – A8
Joint Overview	A9 – A12
System Ankle Joints	
System Ankle Joints with No Dorsiflexion Stop	
NEURO CLASSIC	A10.1 – A10.12
NEURO CLASSIC Carbon	A20.1 – A20.8
NEURO CLASSIC-SPRING	A30.1 – A30.10
NEURO CLASSIC-SWING	A40.1 – A40.10
System Ankle Joints with Static Dorsiflexion Stop	
NEURO CLASSIC	A10.1 – A10.12
NEURO VARIO-CLASSIC	B10.1 – B10.8
NEURO VARIO-CLASSIC 2	B20.1 – B20.10
NEURO VARIO	B30.1 – B30.8
NEURO VARIO 2	B40.1 – B40.10
NEURO VARIO-SPRING	B50.1 – B50.8
NEURO VARIO-SPRING 2	B60.1 – B60.10
NEURO VARIO-SWING	B70.1 – B70.10
System Ankle Joints with Dynamic Dorsiflexion Stop	
NEURO SWING-CLASSIC	C10.1 – C10.10
NEURO SWING	C20.1 – C20.10
NEURO SWING 2	C30.1 – C30.10
NEURO HiSWING	C40.1 – C40.10
NEURO SWING Carbon	C50.1 – C50.10
System Knee Joints	
Free Moving System Knee Joints without Posterior Offset	
NEURO CLASSIC zero	D10.1 – D10.8
NEURO VARIO zero	D20.1 – D20.8
Free Moving System Knee Joints and Articulated System Side Bars with Integrated Posterior Offset	
NEURO CLASSIC	E10.1 – E10.8
NEURO VARIO	E20.1 – E20.8
NEURO VARIO 2	E30.1 – E30.7
NEURO VARIO-SWING	E40.1 – E40.8
NEURO ACTIVE System Knee Joint	E50.1 – E50.8
NEURO ACTIVE Articulated System Side Bar	E60.1 – E60.8
NEURO CLASSIC Carbon	E70.1 – E70.7
Automatic System Knee Joints	
NEURO MATIC	F10.1 – F10.9
NEURO TRONIC	F20.1 – F20.8
NEURO HiTRONIC	F30.1 – F30.10
Locked System Knee Joints	
NEURO LOCK	G10.1 – G10.9
NEURO LOCK MAX	G20.1 – G20.9
NEURO FLEX MAX Lock Function	G30.1 – G30.9
NEURO FLEX MAX Step Lock Function	G40.1 – G40.9
NEURO LOCK Carbon	G50.1 – G50.8
Test Orthoses	H1 – H6
Sliding Washers	I1 – I2
System Side Bars and System Anchors	J1 – J11
Tools	K1 – K14
Materials	L1 – L16
Orthosis Shoes	
CROSSROADS	M10.1 – M10.4
PARKSTREET	M20.1 – M20.2
URBANSTREET	M30.1 – M30.2
CITYDRIVE	M40.1 – M40.2
Returns	N1

IN-HOUSE CUSTOMER SERVICE

Our competent in-house team can be contacted for orders and the processing of your customer data. You will also receive the best possible consultation in case of technical questions. It is available from Monday to Friday between 8 am and 5 pm.

+49 4131 24445-0

SALES STAFF

Our sales representatives will advise you on all questions regarding technical orthopaedics. They offer qualified, face-to-face technical support and service at your site by consultations, trainings and sales services.

You will find the sales representative responsible for your area on our website. Contact them directly or call our head office to be connected.

WWW.FIOR-GENTZ.COM

↳ [CONTACT & SUPPLIER SEARCH](#)

TECHNICAL SUPPORT

For a technical consultation on the selection of system components and questions about our system joints, materials, tools or a configuration, we offer telephone support from Monday to Friday between 8 am and 5 pm from our headquarters in Lüneburg.

Contact us at +49 4131 24445-0. We will then put you through for technical advice. You can also contact us at support@fior-gentz.de.

With prior arrangement, a video call is also possible.

Your advantage: the professional personal consultation provides the basis for a detailed offer on the products and your configuration that you can also use for preparing a calculation for the health insurance.



360° ORTHOTICS

Our concept 360° orthotics describes the 6 steps for producing an orthosis:

physical examination, planning the orthosis, model technique, producing, handing over and maintenance the orthosis. In addition, we offer a wide range of materials

to support you in implementing our orthosis concept. Visit our website, where we offer helpful online tutorials for each of the 6 steps.

WWW.FIOR-GENTZ.COM

↳ ONLINE TUTORIALS

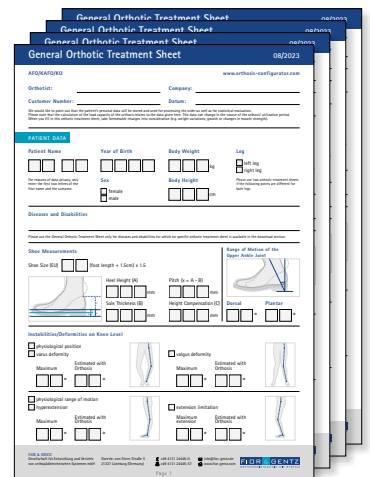
1. PHYSICAL EXAMINATION

- + recording and documenting of all relevant patient data with orthotic treatment sheets
- + basis for the communication with our Technical Support
- + foundation for using the Orthosis Configurator



WWW.FIOR-GENTZ.COM

↳ DOWNLOADS/ORTHOTIC TREATMENT SHEETS

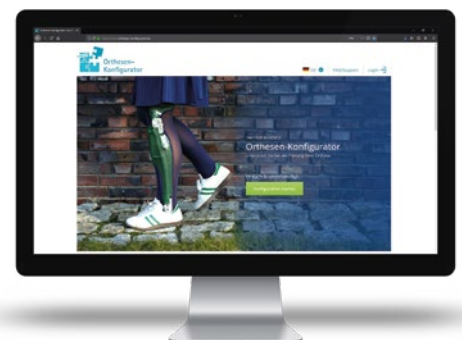


2. PLANNING THE ORTHOSIS

- + optimal, efficient combination of all system components through recommendations for the orthosis construction in the Orthosis Configurator
- + recommendations for materials, tools and more
- + calculation based on the configuration for the cost bearer
- + integration of the webshop for offer requests and orders



Orthosis
Configurator



WWW.ORTHOSIS-CONFIGURATOR.COM

3. MODEL TECHNIQUE

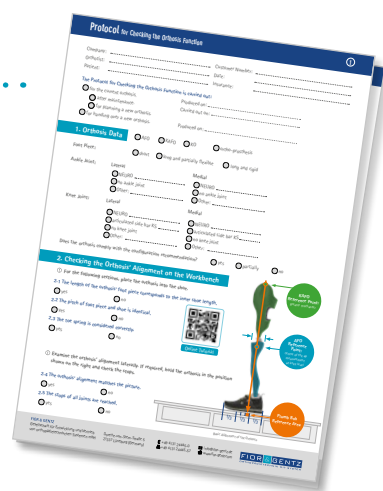
- + positioning of the mechanical pivot points at ankle and knee height
- + making the negative and the positive cast as basis for the construction of the orthosis
- + modifying the positive cast in preparation for an ideal fit and harmonious look of the orthosis

4. PRODUCING THE ORTHOSIS

- + producing a complete orthosis following the instructions in our online tutorials
- + short, specific tutorials for certain production techniques and specific products
- + complete production techniques or specific examples for individual steps and system joints
- + system components and materials according to the FIOR & GENTZ orthosis concept

5. HANDING OVER THE ORTHOSIS

- + checking the alignment, function and the comfortable fit of the orthosis
- + quality control on the workbench as well as statically and dynamically on the patient
- + documentation of the treatment results with the Protocol for Checking the Orthosis Function



WWW.FIOR-GENTZ.COM

→ ONLINE TUTORIALS\HANDING OVER THE ORTHOSIS

6. MAINTENANCE OF THE ORTHOSIS

- + checking the system joint for wear and functionality
- + checking for play and free movement
- + cleaning and checking the individual system components

WEBSHOP

The webshop provides you with the entire FIOR & GENTZ product range in an user-friendly and interactive interface – from system joints to orthosis shoes. You will also always find the corresponding tools, materials and accessories associated with the selected product.



[WEBSHOP.FIOR-GENTZ.DE/EN](https://www.webshop.fior-gentz.de/en)



ORTHOISIS CONFIGURATOR

With the Orthosis Configurator, you can create a reproducible orthosis and save the orthosis data – an important element for your documented treatment. Use the completed orthotic treatment sheet and visit the Orthosis Configurator via our website or at www.orthosis-configurator.com. You will then be guided through the following steps:



1 Patient Data

In the first step, you enter all patient data that are relevant for planning your orthosis.



2 System Components

In this central step, you receive recommendations regarding the orthosis' design and the system components. The recommendations are functionally adjusted to the patient data and will withstand all expected loads.



3 Individual Adjustments

In the third step, you can adapt the shape and material of your system joints.



4 Result

In the last step, you can save, send and print your configuration result for your treatment documentation. You can furthermore generate a calculation and order products directly from our webshop.



Orthosis
Configurator

FIOR & GENTZ ON SOCIAL MEDIA

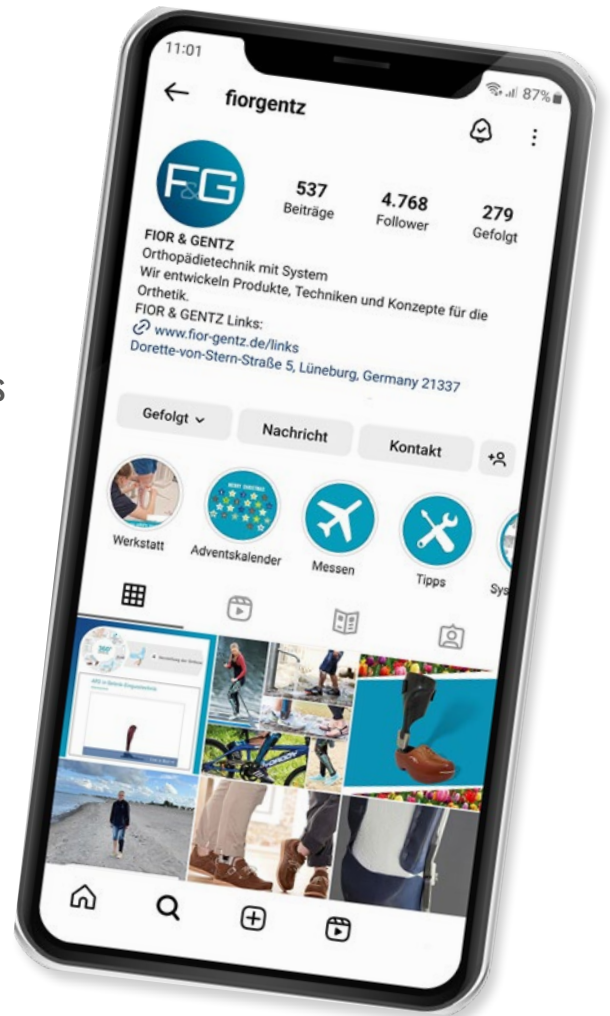
Whether you are a user or an orthotist: share your photos and stories with our products with #fiorgentz.

We welcome any feedback and would like to use this platform to enable a lively exchange of experiences and the sharing of insights.

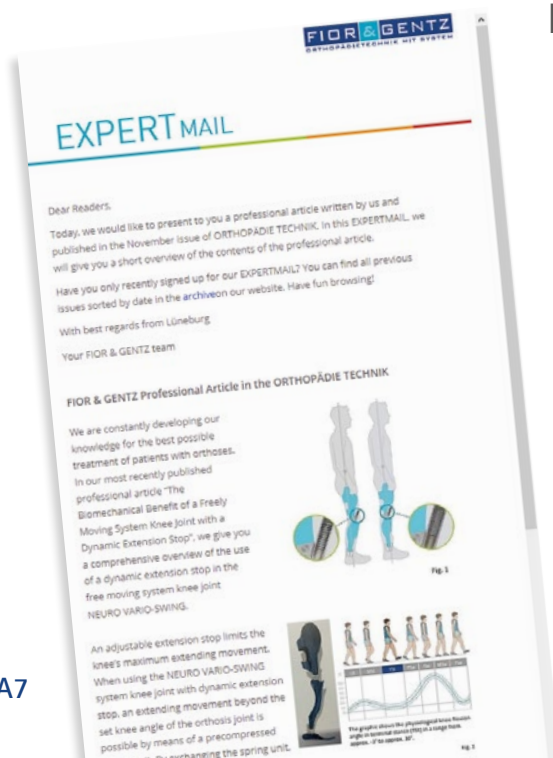
Together, we will make orthoses visible and tell the stories behind the posts.

FOLLOW US ON INSTAGRAM
AND USE OUR HASHTAG:

#FIORGENTZ



EXPERTMAIL



In our newsletter EXPERTMAIL, you will find all news at a glance. We discuss topics from areas like orthosis production, new functions of system joints and the Orthosis Configurator as well as latest information on new products, changes and additions.

Available to orthotists and all interested parties.
Subscribe to the EXPERTMAIL on our website.



WWW.FIOR-GENTZ.COM
↳ COMPANY\EXPERTMAIL

System Ankle Joints

now with **plug+go**
MODULARITY



+ EASY AND FAST
ASSEMBLY

+ FLEXIBLE IN USE



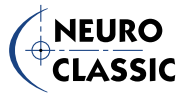
Our system ankle joints with plug+go modularity are equipped with identical system stirrups, joint's upper parts and assembly/lamination dummies. All functional differences are integrated in the functional unit. A joint-specific functional unit is all you need to convert between system ankle joints with plug+go modularity.



NO DORSIFLEXION STOP



see catalogue page A10.1



see catalogue page A10.1



see catalogue page A20.1



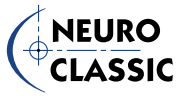
see catalogue page A20.1



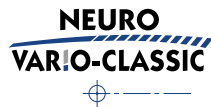
see catalogue page A30.1



WITH STATIC DORSIFLEXION STOP



see catalogue page A10.1



see catalogue page B10.1



see catalogue page B20.1



see catalogue page B30.1



see catalogue page B40.1



see catalogue page B50.1



see catalogue page B60.1



see catalogue page B70.1



WITH DYNAMIC DORSIFLEXION STOP

NEURO SWING-CLASSIC



see catalogue page C10.1

NEURO SWING



see catalogue page C20.1

NEURO SWING P



see catalogue page C30.1

NEURO HISWING



see catalogue page C40.1

NEURO SWING H₂O



see catalogue page C50.1

↑ With the exception of NEURO CLASIC Carbon (16mm), the system ankle joints are illustrated in the system width 20mm.



FREE MOVING WITHOUT POSTERIOR OFFSET

NEURO CLASSIC
zero



see catalogue page D10.1

NEURO VARIO
zero



see catalogue page D20.1



FREE MOVING WITH POSTERIOR OFFSET

NEURO CLASSIC



see catalogue page E10.1

NEURO VARIO



see catalogue page E20.1

NEURO VARIO 2



see catalogue page E30.1

NEURO VARIO-SWING



see catalogue page E40.1

NEURO ACTIVE



see catalogue page E50.1

NEURO ACTIVE



see catalogue page E60.1

NEURO CLASSIC H₂O



see catalogue page E70.1



AUTOMATIC

**NEURO
MATIC**



see catalogue page F10.1

**NEURO
TRONIC**



see catalogue page F20.1

**NEURO
HITRONIC**

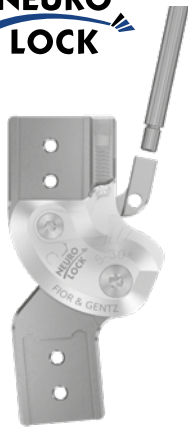


see catalogue page F30.1



LOCKED

**NEURO
LOCK**



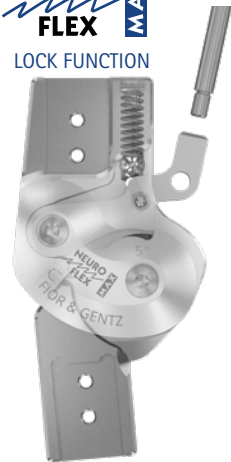
see catalogue page G10.1

**NEURO
LOCK** MAX



see catalogue page G20.1

**NEURO
FLEX** MAX
LOCK FUNCTION



see catalogue page G30.1

**NEURO
FLEX** MAX
STEP LOCK FUNCTION



see catalogue page G40.1

**NEURO
LOCK** H₂O







see catalogue page G50.1

↑ The illustration of the system knee joints is in the system width 20mm.

NEURO CLASSIC



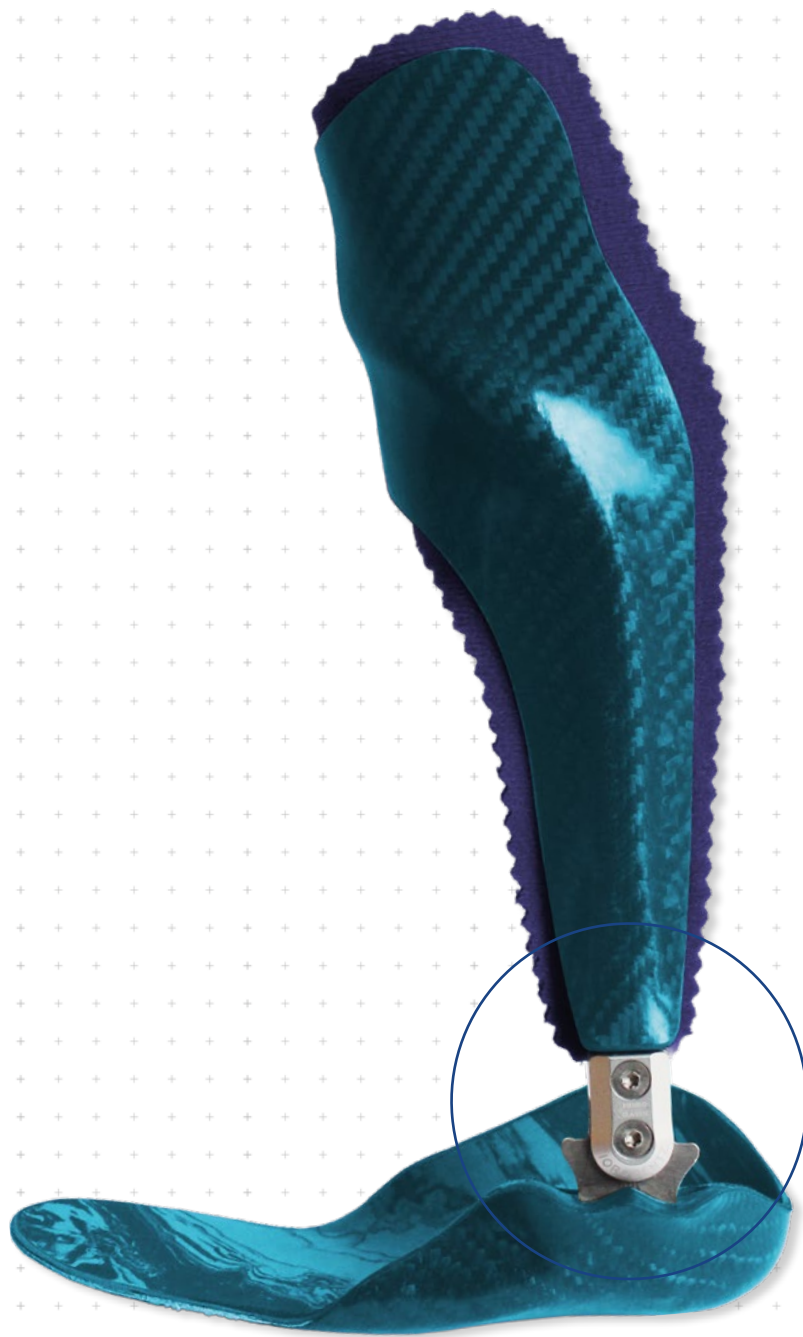
	Dorsiflexion Stop	Plantar Flexion Stop	Dorsiflexion Stop	Plantar Flexion Stop
Main Function	 none <i>free moving system stirrup</i>	 none <i>free moving system stirrup</i>	 static <i>static system stirrup</i>	 static <i>static system stirrup</i>
Adjustment Options			fileable	fileable
Other Functions			none by filing	none by filing

The NEURO CLASSIC system ankle joint can be used as a supporting joint for system ankle joints with plug + go modularity and as a supporting joint for NEURO CLASSIC-SPRING and NEURO CLASSIC-SWING.

When used as a supporting joint, the NEURO CLASSIC system ankle joint combined with the corresponding system stirrup can be converted into the main joint by exchanging the cover plate for the respective functional unit/cover plate.



The NEURO CLASSIC system ankle joint with plug + go modularity can be converted into the NEURO SWING, NEURO SWING-CLASSIC, NEURO VARIO-CLASSIC 2, NEURO VARIO 2, NEURO VARIO-SPRING 2, NEURO VARIO-SWING, NEURO SWING 2 and NEURO HiSWING system ankle joints by exchanging the functional unit and the bearing nut and in the case of the NEURO HiSWING by mounting the spirit level as well.



NEURO CLASSIC

NEURO CLASSIC Carbon

NEURO CLASSIC-SPRING

NEURO CLASSIC-SWING



10mm



12mm



14mm



16mm



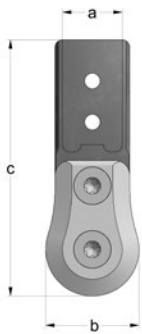
20mm

Joint Dimensions [mm]

Dimension	Description	System Width a				
		10mm	12mm	14mm	16mm	20mm
b	joint head width	13	17	22	25	28
c	joint height	40	50	62.5	68.5	74
	joint thickness	8	9	10	11.5	12

Joint Weights [g]

Material	Unit	System Width				
		10mm	12mm	14mm	16mm	20mm
steel	piece	15	28	43	60	85
titanium	piece	-	19	30	41	56



The NEURO CLASSIC system ankle joint is delivered with the following articles:

- cover plate pressing aid
- orthosis joint grease, 3g
- assembly/lamination dummy

- ➔ Please order system stirrups and system side bars/anchors separately.
- ➔ You will find system stirrups on catalogue page A10.7ff.
- ➔ You will find system side bars/anchors on catalogue page I1ff.



straight
fig. 1



bent inwards
fig. 2



bent outwards
fig. 3

Straight (Fig. 1)

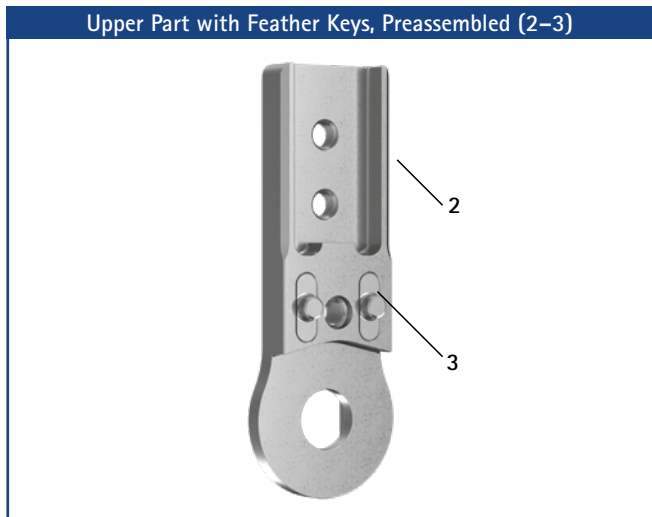
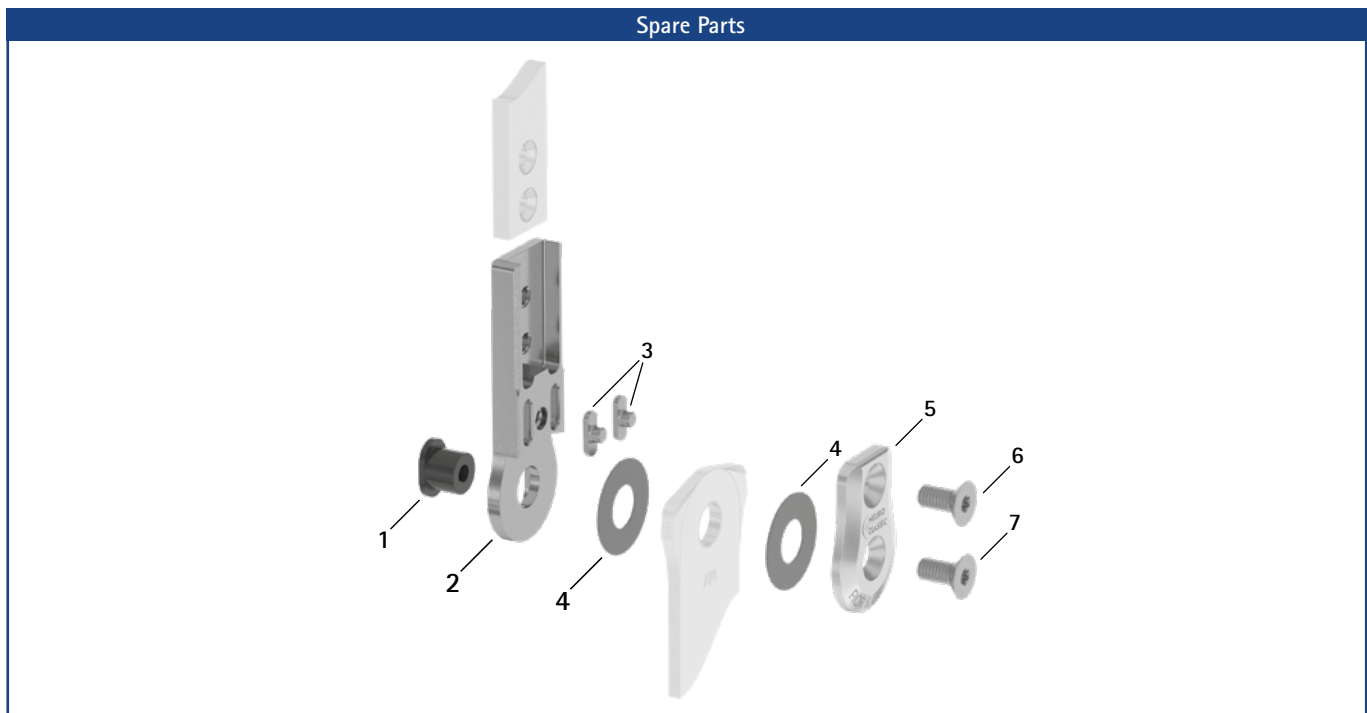
Material	Leg	Unit	Article Number for System Width				
			10mm	12mm	14mm	16mm	20mm
steel	left or right	piece	SF1200-ST/LR	SF1201-ST/LR	SF1202-ST/LR	SF1203-ST/LR	SF1205-ST/LR
titanium	left or right	piece	-	SF1201-TI/LR	SF1202-TI/LR	SF1203-TI/LR	SF1205-TI/LR

Bent Inwards (Fig. 2)

Material	Leg	Unit	Article Number for System Width				
			10mm	12mm	14mm	16mm	20mm
steel	left or right	piece	SF1220-ST/LR	SF1221-ST/LR	SF1222-ST/LR	SF1223-ST/LR	SF1225-ST/LR
titanium	left or right	piece	-	SF1221-TI/LR	SF1222-TI/LR	SF1223-TI/LR	SF1225-TI/LR

Bent Outwards (Fig. 3)

Material	Leg	Unit	Article Number for System Width				
			10mm	12mm	14mm	16mm	20mm
steel	left or right	piece	SF1240-ST/LR	SF1241-ST/LR	SF1242-ST/LR	SF1243-ST/LR	SF1245-ST/LR
titanium	left or right	piece	-	SF1241-TI/LR	SF1242-TI/LR	SF1243-TI/LR	SF1245-TI/LR



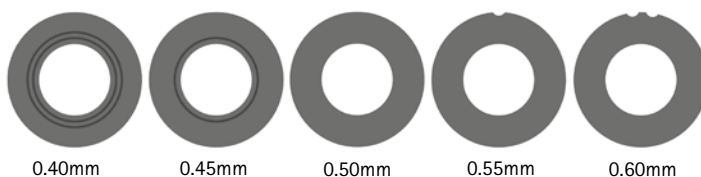
Spare Parts						
Item	Article Number for System Width					Description
	10mm	12mm	14mm	16mm	20mm	
1	SB6039-L0480	SB7049-L0540	SB8559-L0580	SB9669-L0710	SB1069-L0760	bearing nut, short
2-3	SF0310-P/ST	SF0311-P/ST	SF0312-P/ST	SF0313-P/ST	SF0315-P/ST	upper part with feather keys, straight, steel
2-3	-	SF0311-P/TI	SF0312-P/TI	SF0313-P/TI	SF0315-P/TI	upper part with feather keys, straight, titanium
2-3	SF0330-P/ST	SF0331-P/ST	SF0332-P/ST	SF0333-P/ST	SF0335-P/ST	upper part with feather keys, bent inwards, steel
2-3	-	SF0331-P/TI	SF0332-P/TI	SF0333-P/TI	SF0335-P/TI	upper part with feather keys, bent inwards, titanium
2-3	SF0330-8P/ST	SF0331-8P/ST	SF0332-8P/ST	SF0333-8P/ST	SF0335-8P/ST	upper part with feather keys, bent outwards, steel
2-3	-	SF0331-8P/TI	SF0332-8P/TI	SF0333-8P/TI	SF0335-8P/TI	upper part with feather keys, bent outwards, titanium
3	SF0390-01	SF0391-01	SF0392-02	SF0393-02	SF0395-02	feather key with pin
4	GS1206-*	GS1407-*	GS2009-*	GS2210-*	GS2611-*	sliding washer*
5	SF0160-AL	SF0161-AL	SF0162-AL	SF0163-AL	SF0165-AL	cover plate
6	SC1403-L08	SC1404-L08	SC1405-L10	SC1405-L11	SC1405-L12	countersunk flat head screw with hexalobular socket
7	SC1403-L08	SC1404-L08	SC1405-L10	SC1405-L11	SC1406-L12	countersunk flat head screw with hexalobular socket (axle screw)
1, 5-7	SF1970-AL	SF1971-AL	SF1972-AL	SF1973-AL	SF1975-AL	functional unit plug + go modularity

➔ You will find system stirrups on catalogue page A10.7ff.

➔ You will find the system side bars and system anchors on catalogue page I1ff.

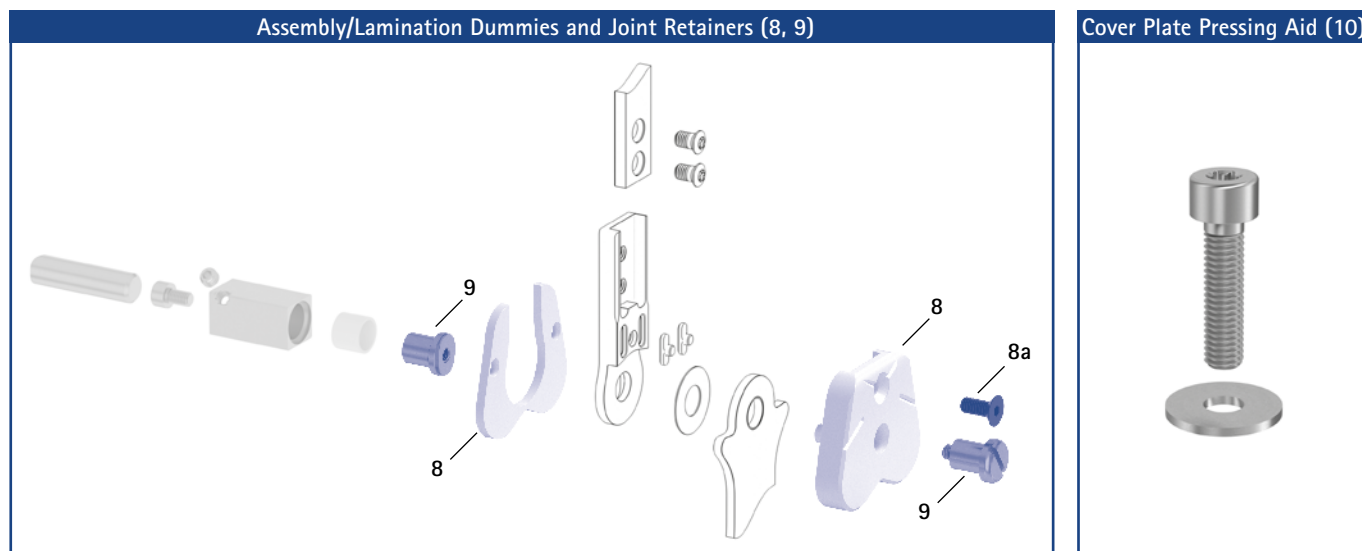
* Sliding Washers					
Article Number for System Width					
10mm	12mm	14mm	16mm	20mm	
Ø = 12mm	Ø = 14mm	Ø = 20mm	Ø = 22mm	Ø = 26mm	
GS1206-040	GS1407-040	GS2009-040	GS2210-040	GS2611-040	
GS1206-045	GS1407-045	GS2009-045	GS2210-045	GS2611-045	
GS1206-050	GS1407-050	GS2009-050	GS2210-050	GS2611-050	
GS1206-055	GS1407-055	GS2009-055	GS2210-055	GS2611-055	
GS1206-060	GS1407-060	GS2009-060	GS2210-060	GS2611-060	

The last three digits of the article number stand for the thickness of the sliding washer, e.g. GS1407-**040**. The thickness of this sliding washer is 0.40mm. In total, the sliding washers are available in five different thicknesses. The thickness of a sliding washer is indicated by the markings. For example, a sliding washer with two notches is 0.40mm thick, whereas a sliding washer with one notch is 0.55mm thick.



Feather Key Set							
Article Number for System Width							
Item	10mm	12mm	14mm	16mm	20mm	Description	Unit
w/o fig.	SF0390	SF0391	SF0392	SF0393	SF0395	feather key set	set

→ The feather key set contains two feather keys with pin and the outer assembly/lamination dummy to make pressing easier. You can order the set if the feather keys have to be exchanged.



Assembly/Lamination Dummies and Joint Retainers							
Article Number for System Width							
Item	10mm	12mm	14mm	16mm	20mm	Description	Unit
8	SF0950-LR1*	SF0951-LR1*	SF0952-LR1*	SF0953-LR1*	SF0955-5LR1*	assembly/lamination dummy, two parts (2 dummies with screw)*	set
8a	SC1053-L08	SC1054-L10	SC1055-L12	SC1055-L12	SC1055-L12	countersunk flat head screw with hexagon socket	piece
9	PE1010-01/LR	PE1011-01/LR	PE1012-LR	PE1013-LR	PE1025-LR	joint retainer	piece
	1/Y	2/Z	4/B	5/C	7/C	laser marking	-

* These assembly/lamination dummies are included in the scope of delivery of the system joints.

→ You will also find the joint retainers and the corresponding laser markings in the tool case on the catalogue pages J13 and J14.

Cover Plate Pressing Aid							
Article Number for System Width							
Item	10mm	12mm	14mm	16mm	20mm	Description	Unit
10	WE5000-SF	WE5001-SF	WE5002-SF	WE5002-SF	WE5002-SF	cover plate pressing aid (pressing screw and washer)	set

→ The cover plate pressing aid is included in the scope of delivery of the system joints.

→ You will find an overview of our tools on catalogue page J1.



rivet stirrup



lamination/prepreg stirrup



thermoformage stirrup



side view

General Measures of the System Stirrups

Measure [mm]	System Width				
	10mm	12mm	14mm	16mm	20mm
thickness	2.0	2.0	2.5	3.0	3.0
neck width	16.0	19.4	23.2	26.6	30.8
bore hole diameter	6.0	7.0	8.5	9.6	10.5

Bent, Free Moving

Description	Leg/Leg Side	Unit	Article Number and Measures for System Width				
			10mm	12mm	14mm	16mm	20mm
rivet stirrup	left or right	piece	FB1070-LR/ST3	FB1071-LR/ST3	FB1082-LR/ST4	FB1093-LR/ST4	FB1015-LR/ST5
length from the middle of the bore hole [mm]			104	112	124	144	164
weight [g]			32	41	68	109	137
lamination/prepreg stirrup	left lateral or right medial	piece	FB1170-L/ST1	FB1171-L/ST1	FB1182-L/ST1	FB1193-L/ST1	FB1115-L/ST1
	left medial or right lateral		FB1170-R/ST1	FB1171-R/ST1	FB1182-R/ST1	FB1193-R/ST1	FB1115-R/ST1
length from the middle of the bore hole [mm]			30	39	50	58	68
weight [g]			9	15	30	49	64
thermoformage stirrup	left or right	piece	FB1270-LR/ST2	FB1271-LR/ST2	FB1282-LR/ST2	FB1293-LR/ST2	FB1215-LR/ST3
length from the middle of the bore hole [mm]			49	54	61	67	73
weight [g]			13	19	32	49	60



➔ The system stirrup is marked with lines in the neck area in order to read the joint angle.

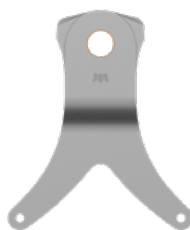
➔ You will find the sliding bushings on catalogue page A10.9.



rivet stirrup



lamination/prepreg stirrup



thermoformage stirrup



side view

Bent, Static							
Description	Leg/Leg Side	Unit	Article Number and Measures for System Width				
			10mm	12mm	14mm	16mm	20mm
rivet stirrup	left or right	piece	FB2070-LR/ST3	FB2071-LR/ST3	FB2082-LR/ST4	FB2093-LR/ST4	FB2095-LR/ST5
length from the middle of the bore hole [mm]			104	112	124	144	164
weight [g]			33	43	70	111	141
lamination/prepreg stirrup	left lateral or right medial	piece	FB2170-L/ST1	FB2171-L/ST1	FB2182-L/ST1	FB2193-L/ST1	FB2195-L/ST1
	left medial or right lateral		FB2170-R/ST1	FB2171-R/ST1	FB2182-R/ST1	FB2193-R/ST1	FB2195-R/ST1
length from the middle of the bore hole [mm]			30	39	50	58	68
weight [g]			10	17	32	56	68
thermoformage stirrup	left or right	piece	FB2270-LR/ST2	FB2271-LR/ST2	FB2282-LR/ST2	FB2293-LR/ST3	FB2295-LR/ST3
length from the middle of the bore hole [mm]			49	54	61	67	73
weight [g]			14	20	34	53	65

System Stirrups NEURO CLASSIC – Straight, Static

NEURO CLASSIC



rivet stirrup



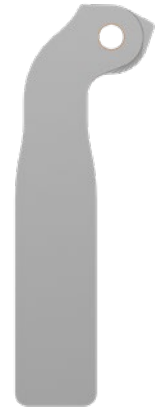
lamination/prepreg stirrup



thermoformage stirrup



shoe caliper plate stirrup*



Borggreve stirrup**

NEURO CLASSIC Carbon

Straight, Static

Description	Unit	Article Number and Measures for System Width				
		10mm	12mm	14mm	16mm	20mm
rivet stirrup	piece	FB2070-ST/3	FB2071-ST/3	FB2082-ST/4	FB2093-ST/4	FB2095-ST/5
length from the middle of the bore hole [mm]		105	113	125	145	165
weight [g]		33	43	70	111	141
lamination/prepreg stirrup	piece	FB2170-ST/1	FB2171-ST/1	FB2182-ST/1	FB2193-ST/1	FB2195-ST/1
length from the middle of the bore hole [mm]		31	40	51	59	69
weight [g]		10	17	32	56	68
thermoformage stirrup	piece	FB2270-ST/2	FB2271-ST/2	FB2282-ST/2	FB2293-ST/3	FB2295-ST/3
length from the middle of the bore hole [mm]		50	55	62	68	74
weight [g]		14	20	34	53	65
shoe caliper plate stirrup	piece	-	-	FB1542-ST/4	FB1553-ST/5	FB1555-ST/6
length from the middle of the bore hole [mm]		-	-	145	165	185
weight [g]		-	-	59	93	106
insertion width* [mm]		-	-	19	22	22
Borggreve stirrup**	piece	-	FB9071-ST/3	FB9082-ST/4	FB9093-ST/4	FB9095-ST/5
length from the middle of the bore hole [mm]		-	113	125	145	165
weight [g]		-	42	71	112	143

* The insertion width of the shoe caliper plate stirrup is equivalent to its insertion width.

** for treating patients with Borggreve rotationplasty (system stirrup geometry designed in collaboration with the Department of Orthopaedics of the Heidelberg University Literature: Janßen E., Design Criteria for Prosthetic Management of Rotation-Arthroplasty, Orthopädie-Technik 11/2002)

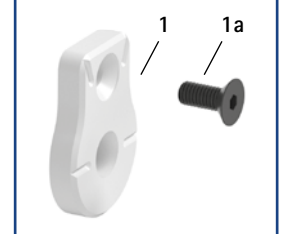
NEURO CLASSIC-SPRING

Assembly/Lamination Dummy for the Borggreve Stirrup**

Item	Article Number for System Width					Description	Unit
	10 mm	12 mm	14 mm	16 mm	20 mm		
1	-	SF0911-LR**	SF0912-LR**	SF0913-LR**	SF0915-LR**	assembly/lamination dummy (1 dummy with screw)**	piece
1a	-	SC1054-L10	SC1055-L12	SC1055-L12	SC1055-L12	countersunk flat head screw with hexagon socket	piece

** This assembly/lamination dummy is required in combination with a Borggreve stirrup and is included in your order of the stirrup.

Assembly/Lamination Dummy



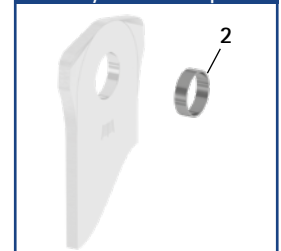
NEURO CLASSIC-SWING

Spare Parts System Stirrup

Item	Article Number for System Width					Description
	10mm	12mm	14mm	16mm	20mm	
2	BP0706-L020	BR0807-L020	BR1009-L025	BR1110-L030	BR1211-L030	sliding bushing

➔ All system stirrups of the NEURO CLASSIC system ankle joint are delivered with an integrated sliding bushing.

Spare Parts System Stirrup



Information for Processing

Rivet Stirrup:

➔ This system stirrup is riveted to the foot piece.

Lamination/Prepreg Stirrup:

➔ This system stirrup is embedded into the laminate of the foot piece.

Thermoformage Stirrup:

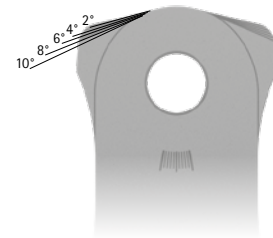
➔ This system stirrup is embedded into thermoformable plastics, but can be embedded into laminates as well.

Shoe Caliper Plate Stirrup:

➔ This system stirrup is inserted into shoe plates.

Borggreve Stirrup:

➔ This system stirrup is used for the production of an ortho-prosthesis for treating a Borggreve rotationplasty.



- ➔ The system stirrup is marked with lines in the head area which serve as orientation for precisely filing the stirrup to the desired plantar and dorsiflexion stop.
- ➔ The system stirrup is marked with lines in the neck area in order to read the joint angle.

System Stirrups plug + go Modularity – Bent

NEURO CLASSIC



rivet stirrup



lamination/prepreg stirrup



thermoformage stirrup



side view

NEURO CLASSIC Carbon

General Measures of the System Stirrups plug + go Modularity

Measure [mm]	System Width				
	10mm	12mm	14mm	16mm	20mm
thickness	2.0	2.0	2.5	3.0	3.0
neck width	16.0	19.4	23.2	26.6	30.8
bore hole diameter	6.0	7.0	8.5	9.6	10.5

NEURO CLASSIC-SPRING

Bent

Description	Leg/Leg Side	Unit	Article Number and Measures for System Width				
			10mm	12mm	14mm	16mm	20mm
rivet stirrup	left or right	piece	FB5070-LR/ST3	FB5071-LR/ST3	FB5082-LR/ST4	FB5093-LR/ST4	FB5015-LR/ST5
length from the middle of the bore hole [mm]			104	112	124	144	164
weight [g]			33	43	69	112	143
lamination/prepreg stirrup	left lateral or right medial	piece	FB5170-L/ST1	FB5171-L/ST1	FB5182-L/ST1	FB5193-L/ST1	FB5115-L/ST1
	left medial or right lateral		FB5170-R/ST1	FB5171-R/ST1	FB5182-R/ST1	FB5193-R/ST1	FB5115-R/ST1
length from the middle of the bore hole [mm]			28	40	54	64	68
weight [g]			10	16	32	53	70
thermoformage stirrup	left or right	piece	FB5270-LR/ST2	FB5271-LR/ST2	FB5282-LR/ST2	FB5293-LR/ST2	FB5215-LR/ST3
length from the middle of the bore hole [mm]			49	54	61	67	73
weight [g]			14	19	34	53	66

NEURO CLASSIC-SWING



rivet stirrup



lamination/prepreg stirrup



thermoformage stirrup

Straight

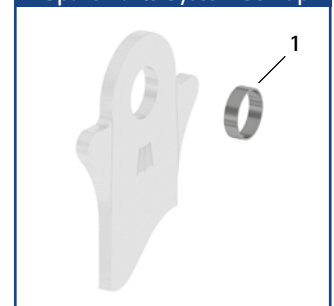
Description	Unit	Article Number and Measures for System Width				
		10mm	12mm	14mm	16mm	20mm
rivet stirrup	piece	FB5070-ST/3	FB5071-ST/3	FB5082-ST/4	FB5093-ST/4	FB5015-ST/5
length from the middle of the bore hole [mm]		105	113	125	145	165
weight [g]		33	43	69	112	143
lamination/prepreg stirrup	piece	FB5170-ST/1	FB5171-ST/1	FB5182-ST/1	FB5193-ST/1	FB5115-ST/1
length from the middle of the bore hole [mm]		29	41	55	65	69
weight [g]		10	16	32	53	70
thermoformage stirrup	piece	FB5270-ST/2	FB5271-ST/2	FB5282-ST/2	FB5293-ST/2	FB5215-ST/3
length from the middle of the bore hole [mm]		50	55	52	68	74
weight [g]		14	19	34	53	66

Spare Parts System Stirrup

Item	Article Number for System Width					Description
	10mm	12mm	14mm	16mm	20mm	
1	BP0706-L020	BR0807-L020	BR1009-L025	BR1110-L030	BR1211-L030	sliding bushing

→ All system stirrups plug + go modularity of the NEURO CLASSIC system ankle joint are delivered with an integrated sliding bushing.

Spare Parts System Stirrup



→ The system stirrup is marked with lines in the neck area in order to read the joint angle.

Information for Processing

Rivet Stirrup:

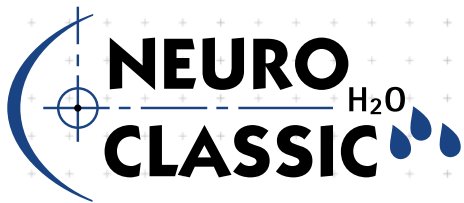
→ This system stirrup is riveted to the foot piece.

Lamination/Prepreg Stirrup:

→ This system stirrup is embedded into the laminate of the foot piece.

Thermoformage Stirrup:

→ This system stirrup is embedded into thermoformable plastics, but can be embedded into laminates as well.





NEURO CLASSIC

NEURO CLASSIC Carbon

NEURO CLASSIC-SPRING

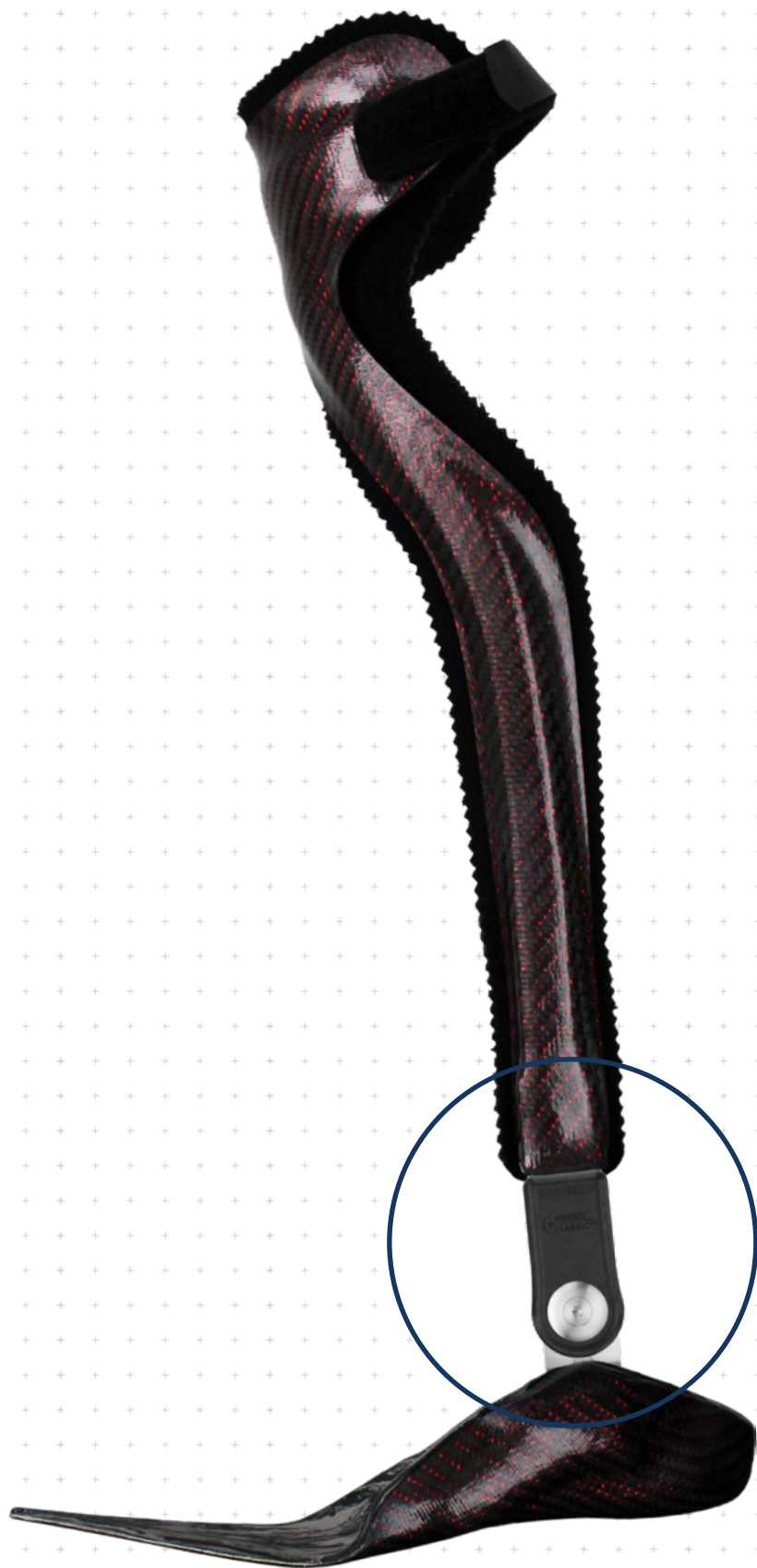
NEURO CLASSIC-SWING



	Dorsiflexion Stop	Plantar Flexion Stop
Main Function	 <p>none free moving system stirrup</p>	 <p>none free moving system stirrup</p>

The NEURO CLASSIC Carbon system ankle joint is a water-resistant ultralight system ankle joint joint made of carbon fibre reinforced plastics.

The NEURO CLASSIC Carbon system ankle joint can be used as supporting joint for NEURO SWING Carbon system ankle joint.

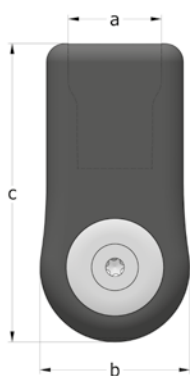




16mm

Joint Dimensions [mm]		
Dimension	Description	System Width a 16mm
b	joint head width	32
c	joint height	64
	joint thickness	17

Joint Weights [g]		
Material	Unit	System Width 16mm
carbon	piece	46



The NEURO CLASSIC Carbon system ankle joint is delivered with the following articles:

- set 2-component adhesive and primer
- orthosis joint grease, 3g
- assembly/lamination dummy

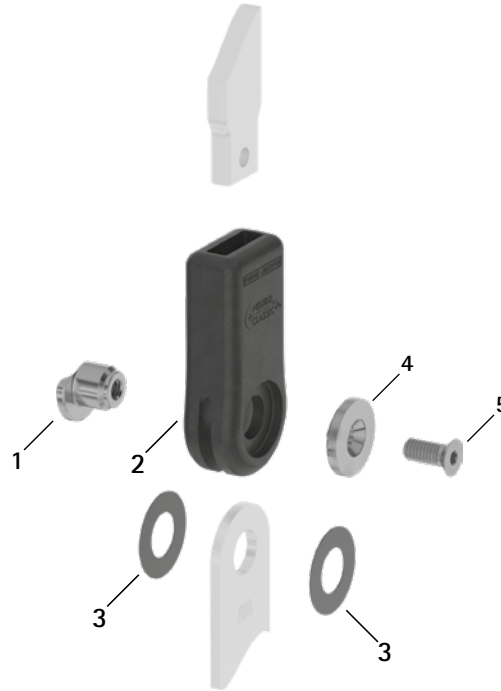
- ➔ Please order system stirrups and system anchors separately.
- ➔ You will find system stirrups on catalogue page A20.7.
- ➔ You will find special system anchors for the NEURO CLASSIC Carbon on catalogue page I9ff.



Straight
fig. 1

Straight (Fig. 1)			
Material	Leg	Unit	Article Number for System Width 16mm
carbon	left or right	piece	SF1203-C/LR

Spare Parts



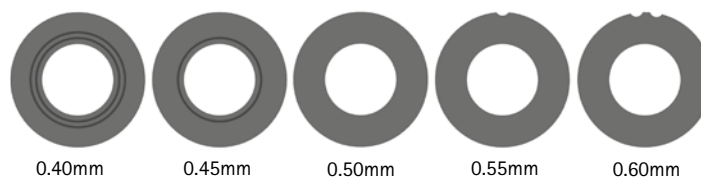
Spare Parts

Item	Article Number for System Width		Description
	16mm		
1	SF0593-C/1		bearing nut
2	SF0103-C		joint case
3	GS2413-*		sliding washer*
4	SF0593-C/2		cover disc
5	SC1406-L14		countersunk flat head screw with hexalobular socket

* Sliding Washers

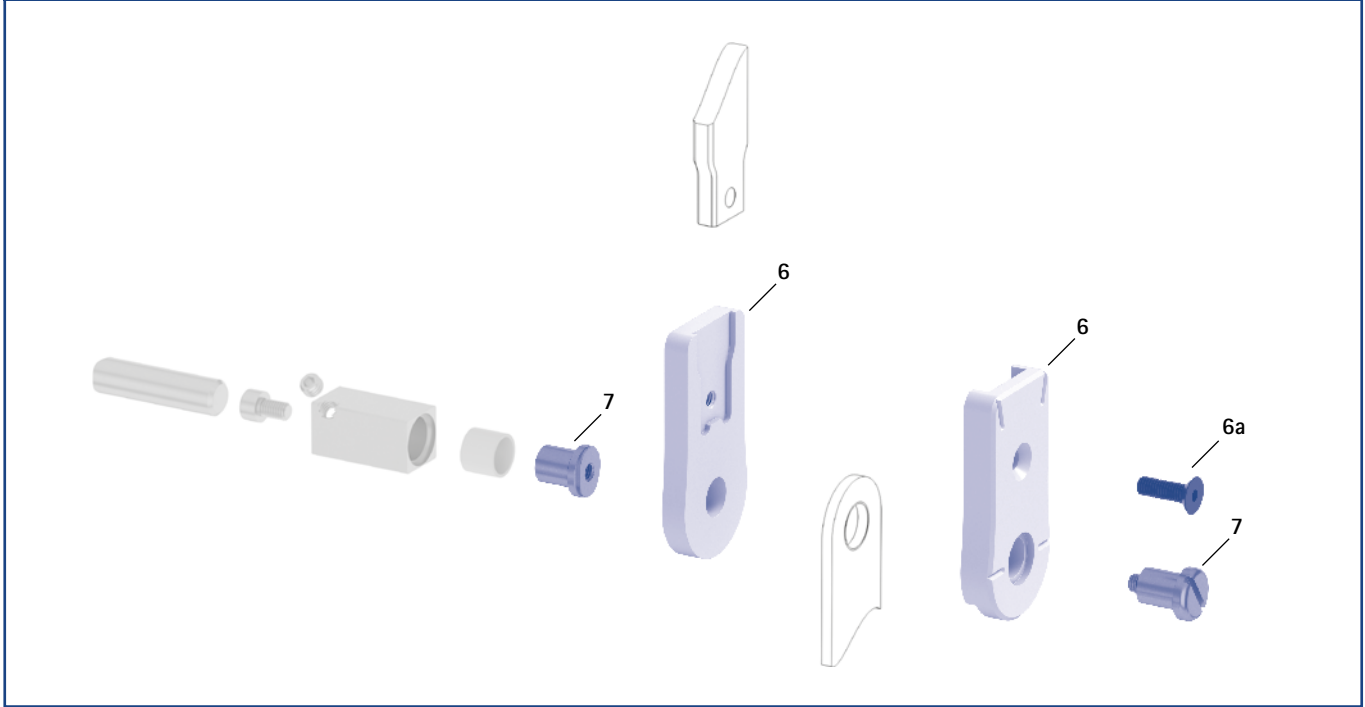
Article Number for System Width
16mm
Ø = 24mm
GS2413-040
GS2413-045
GS2413-050
GS2413-055
GS2413-060

The last three digits of the article number stand for the thickness of the sliding washer, e. g. GS2413-040. The thickness of this sliding washer is 0.40mm. In total, the sliding washers are available in five different thicknesses. The thickness of a sliding washer is indicated by the markings. For example, a sliding washer with two notches is 0.40mm thick, whereas a sliding washer with one notch is 0.55mm thick. Please use the sliding washer centring pin to position the sliding washers.



- ➔ You will find system stirrups on catalogue page A20.7.
- ➔ You will find special system anchors for the NEURO CLASSIC Carbon on catalogue page I10ff.
- ➔ You will find the sliding washer centring pin on catalogue page J11.

Assembly/Lamination Dummies and Joint Retainers



Assembly/Lamination Dummies and Joint Retainers			
Item	Article Number for System Width 16mm	Description	Unit
6	SF0913-C/LR1	assembly/lamination dummy, two parts (2 dummies with screw)	set
6a	SC1055-L16	countersunk flat head screw with hexagon socket	piece
7	PE1025-LR	joint retainer	piece
	7/C	laser marking	-

- ➔ Assembly/lamination dummies are included in the scope of delivery of the system joints.
- ➔ You will find an overview of our tools on catalogue page J1ff.
- ➔ You will also find the joint retainers and the corresponding laser markings in the tool case on the catalogue pages J13 and J14.



lamination/prepreg stirrup



side view

General Measures of the System Stirrups

Measure [mm]	System Width 16mm
thickness	3.0
neck width	26.6
bore hole diameter	13.0

Bent, Free Moving

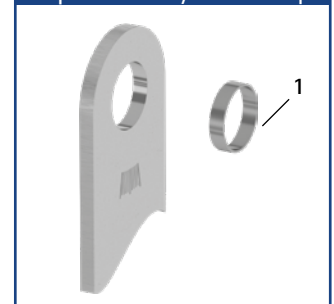
Description	Leg/Leg Side	Unit	Article Number and Measures for System Width 16mm
			FC1193-L/ST1
lamination/prepreg stirrup	left lateral or right medial	piece	FC1193-R/ST1
	left medial or right lateral		
length from the middle of the bore hole [mm]			58
weight [g]			49

Spare Parts System Stirrup

Item	Article Number for System Width 16mm		Description
	1	BR1312-L030	

→ The system stirrups of the NEURO CLASSIC Carbon system ankle joint are delivered with an integrated sliding bushing.

Spare Parts System Stirrup



Information for Processing

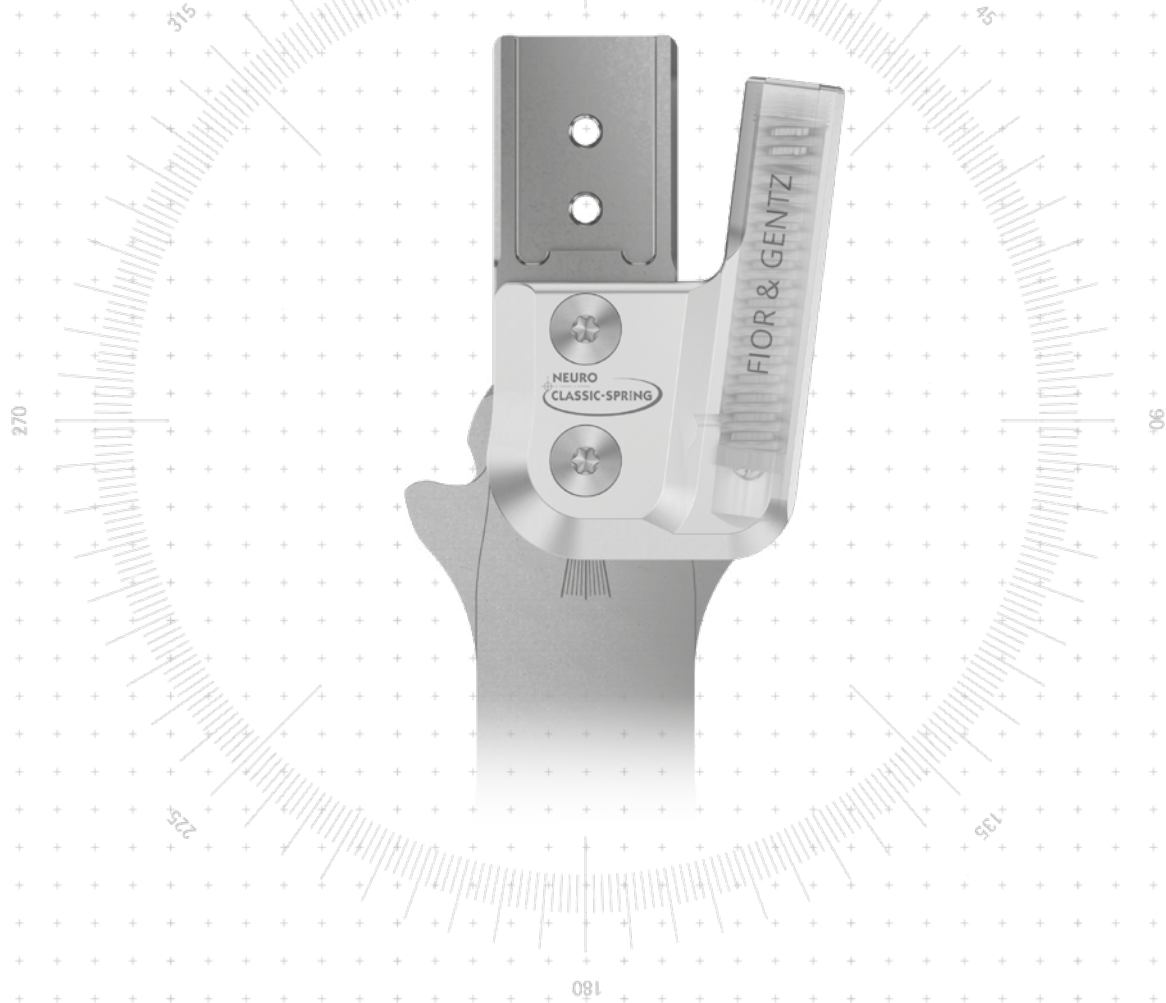
Lamination/Prepreg Stirrup:



→ This system stirrup is embedded into the laminate of the foot piece.



→ The system stirrup is marked with lines in the neck area in order to read the joint angle.

NEURO CLASSIC-SPRING



	Dorsiflexion Stop	Plantar Flexion Stop
Main Function	 <p>none delivery status: static</p>	 <p>none (with dorsiflexion assist)</p>
Adjustment Options	fileable	
Other Functions	none by filing	

The NEURO CLASSIC-SPRING system ankle joint can be converted into system ankle joints with plug + go modularity by filing the system stirrup and exchanging the functional unit and in the case of the NEURO HiSWING by mounting the spirit level as well. Furthermore, it can be converted into the NEURO CLASSIC free moving by filing the system stirrup and exchanging the cover plate as well as into the NEURO CLASSIC-SWING by exchanging the functional unit.

The NEURO CLASSIC with the system stirrup of the main joint and the NEURO CLASSIC free moving can be used as supporting joints for the NEURO CLASSIC-SPRING system ankle joint.



NEURO CLASSIC

NEURO CLASSIC Carbon

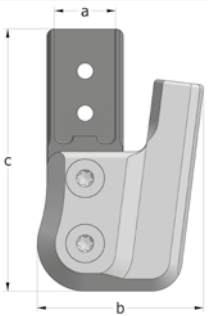
NEURO CLASSIC-SPRING

NEURO CLASSIC-SWING



Joint Dimensions [mm]		System Width a				
Dimension	Description	10mm	12mm	14mm	16mm	20mm
b	joint head width	24	31	37	43	51
c	joint height	30	38	45.5	55	67.5
	joint thickness	10	10	12	14	15

Joint Weights [g]		System Width				
Material	Unit	10mm	12mm	14mm	16mm	20mm
steel	piece	21	38	62	90	131
titanium	piece	-	29	48	70	101



The NEURO CLASSIC-SPRING system ankle joint is delivered with the following articles:

cover plate pressing aid
orthosis joint grease, 3g
assembly/lamination dummy

- ➔ Please order shaping dummy, system stirrups and system side bars/anchors separately.
- ➔ You will find the shaping dummy on catalogue page A30.7.
- ➔ You will find system stirrups on catalogue page A30.8f.
- ➔ You will find system side bars/anchors on catalogue page I1ff.



straight
fig. 1



bent inwards
fig. 2



bent outwards
fig. 3

Straight (Fig. 1)

Material	Leg Side	Unit	Article Number for System Width				
			10mm	12mm	14mm	16mm	20mm
steel	left lateral or right medial	piece	SF7200-L/ST	SF7201-L/ST	SF7202-L/ST	SF7203-L/ST	SF7205-L/ST
	left medial or right lateral	piece	SF7200-R/ST	SF7201-R/ST	SF7202-R/ST	SF7203-R/ST	SF7205-R/ST
titanium	left lateral or right medial	piece	-	SF7201-L/TI	SF7202-L/TI	SF7203-L/TI	SF7205-L/TI
	left medial or right lateral	piece	-	SF7201-R/TI	SF7202-R/TI	SF7203-R/TI	SF7205-R/TI

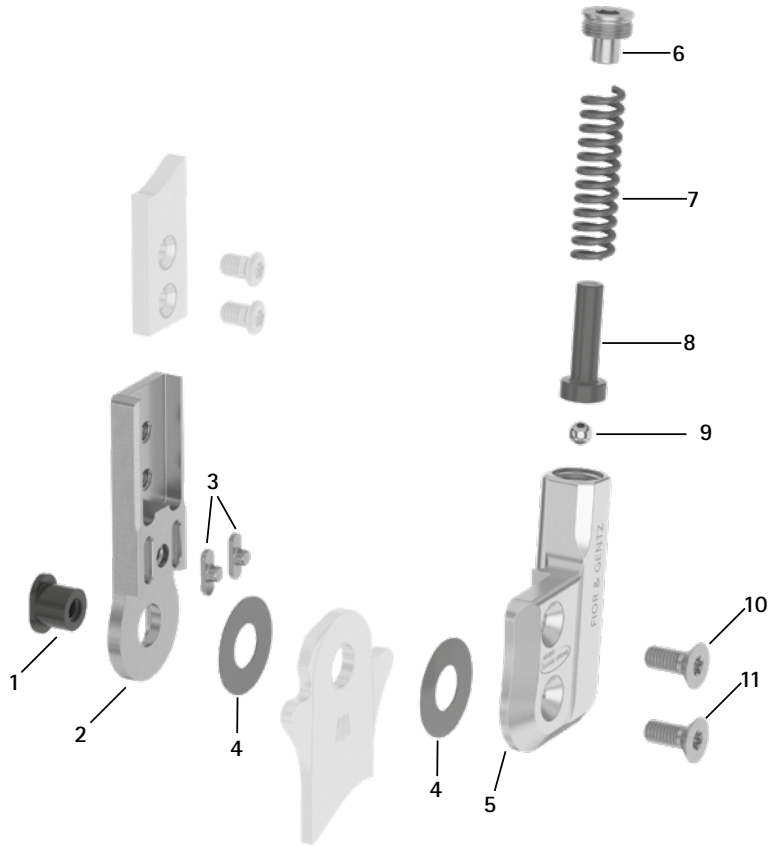
Bent Inwards (Fig. 2)

Material	Leg Side	Unit	Article Number for System Width				
			10mm	12mm	14mm	16mm	20mm
steel	left lateral or right medial	piece	SF7220-L/ST	SF7221-L/ST	SF7222-L/ST	SF7223-L/ST	SF7225-L/ST
	left medial or right lateral	piece	SF7220-R/ST	SF7221-R/ST	SF7222-R/ST	SF7223-R/ST	SF7225-R/ST
titanium	left lateral or right medial	piece	-	SF7221-L/TI	SF7222-L/TI	SF7223-L/TI	SF7225-L/TI
	left medial or right lateral	piece	-	SF7221-R/TI	SF7222-R/TI	SF7223-R/TI	SF7225-R/TI

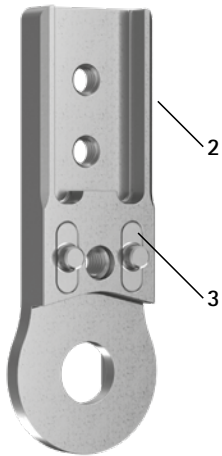
Bent Outwards (Fig. 3)

Material	Leg Side	Unit	Article Number for System Width				
			10mm	12mm	14mm	16mm	20mm
steel	left lateral or right medial	piece	SF7240-L/ST	SF7241-L/ST	SF7242-L/ST	SF7243-L/ST	SF7245-L/ST
	left medial or right lateral	piece	SF7240-R/ST	SF7241-R/ST	SF7242-R/ST	SF7243-R/ST	SF7245-R/ST
titanium	left lateral or right medial	piece	-	SF7241-L/TI	SF7242-L/TI	SF7243-L/TI	SF7245-L/TI
	left medial or right lateral	piece	-	SF7241-R/TI	SF7242-R/TI	SF7243-R/TI	SF7245-R/TI

Spare Parts



Upper Part with Feather Keys, Preassembled (2-3)



Spare Parts						
Item	Article Number for System Width					Description
	10mm	12mm	14mm	16mm	20mm	
1	SB6039-L0580*	SB7049-L0590*	SB8559-L0630*	SB9669-L0760*	SB1069-L0960*	bearing nut*
2-3	SF0310-P/ST	SF0311-P/ST	SF0312-P/ST	SF0313-P/ST	SF0315-P/ST	upper part with feather keys, straight, steel
2-3	-	SF0311-P/TI	SF0312-P/TI	SF0313-P/TI	SF0315-P/TI	upper part with feather keys, straight, titanium
2-3	SF0330-P/ST	SF0331-P/ST	SF0332-P/ST	SF0333-P/ST	SF0335-P/ST	upper part with feather keys, bent inwards, steel
2-3	-	SF0331-P/TI	SF0332-P/TI	SF0333-P/TI	SF0335-P/TI	upper part with feather keys, bent inwards, titanium
2-3	SF0330-8P/ST	SF0331-8P/ST	SF0332-8P/ST	SF0333-8P/ST	SF0335-8P/ST	upper part with feather keys, bent outwards, steel
2-3	-	SF0331-8P/TI	SF0332-8P/TI	SF0333-8P/TI	SF0335-8P/TI	upper part with feather keys, bent outwards, titanium
3	SF0390-01	SF0391-01	SF0392-02	SF0393-02	SF0395-02	feather key with pin
4	GS1206-**	GS1407-**	GS2009-**	GS2210-**	GS2611-**	sliding washer**
5	SF0760-L/AL	SF0761-L/AL	SF0762-L/AL	SF0763-L/AL	SF0765-L/AL	cover plate, left lateral or right medial
5	SF0760-R/AL	SF0761-R/AL	SF0762-R/AL	SF0763-R/AL	SF0765-R/AL	cover plate, left medial or right lateral
6	SC2007-L04	SC2008-L04	SC2009-L05	SC2011-L05	SC2011-L05	pressure screw
7	FE1622-01	FE1734-01	FE2736-01	FE2945-01	FE2966-02	coil spring, golden
8	SF0840-07	SF0841-07	SF0842-08	SF0843-10	SF0845-10	pin
9	KU1004-ST	KU1004-ST	KU1004-ST	KU1005-ST	KU1005-ST	ball
10	SC1403-L08	SC1404-L10	SC1405-L11	SC1405-L12	SC1405-L14	countersunk flat head screw with hexalobular socket
11	SC1403-L08	SC1404-L10	SC1405-L11	SC1405-L12	SC1406-L14	countersunk flat head screw with hexalobular socket (axle screw)
5-11	SF7970-L/AL*	SF7971-L/AL*	SF7972-L/AL*	SF7973-L/AL*	SF7975-L/AL*	functional unit plug + go modularity, left lateral or right medial*
5-11	SF7970-R/AL*	SF7971-R/AL*	SF7972-R/AL*	SF7973-R/AL*	SF7975-R/AL*	functional unit plug + go modularity, left medial or right lateral*

* For a conversion from the NEURO CLASSIC with plug + go modularity, this longer bearing nut is required in addition to the functional unit (see item 1).

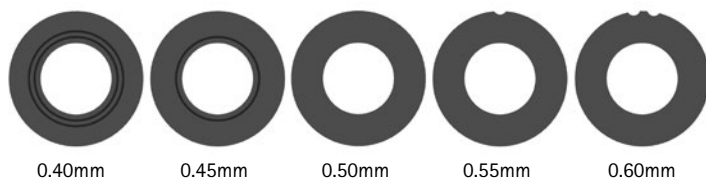
Feather Key Set							
Item	Article Number for System Width					Description	Unit
	10mm	12mm	14mm	16mm	20mm		
w/o fig.	SF0390	SF0391	SF0392	SF0393	SF0395	feather key set	set

→ The feather key set contains two feather keys with pin and the outer assembly/lamination dummy to make pressing easier. You can order the set if the feather keys have to be exchanged.

** Sliding Washers

Article Number for System Width					
10mm	12mm	14mm	16mm	20mm	
Ø = 12mm	Ø = 14mm	Ø = 20mm	Ø = 22mm	Ø = 26mm	
GS1206-040	GS1407-040	GS2009-040	GS2210-040	GS2611-040	
GS1206-045	GS1407-045	GS2009-045	GS2210-045	GS2611-045	
GS1206-050	GS1407-050	GS2009-050	GS2210-050	GS2611-050	
GS1206-055	GS1407-055	GS2009-055	GS2210-055	GS2611-055	
GS1206-060	GS1407-060	GS2009-060	GS2210-060	GS2611-060	

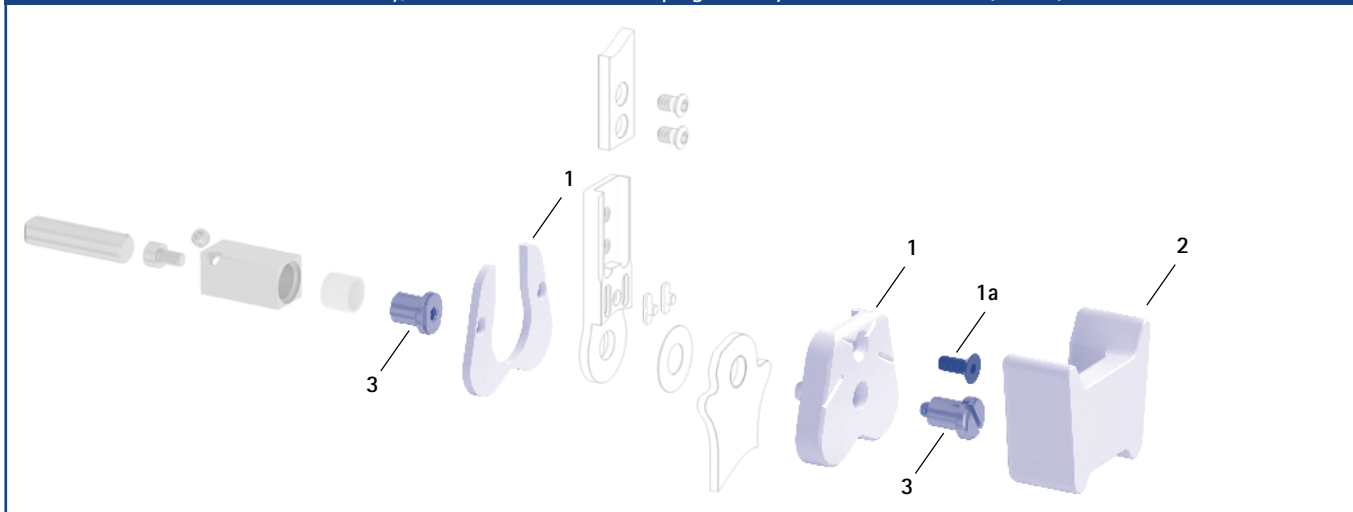
The last three digits of the article number stand for the thickness of the sliding washer, e.g. GS1407-040. The thickness of this sliding washer is 0.40mm. In total, the sliding washers are available in five different thicknesses. The thickness of a sliding washer is indicated by the markings. For example, a sliding washer with two notches is 0.40mm thick, whereas a sliding washer with one notch is 0.55mm thick.



→ You will find system stirrups on catalogue page A30.8f.

→ You will find the system side bars and system anchors on catalogue page I1ff.

Assembly/Lamination Dummies, Shaping Dummy and Joint Retainers (1, 2, 3)



Assembly/Lamination Dummies, Shaping Dummy and Joint Retainers

Item	Article Number for System Width					Description	Unit
	10mm	12mm	14mm	16mm	20mm		
1	SF0950-LR1	SF0951-LR1	SF0952-LR1	SF0953-LR1	SF0955-5LR1	assembly/lamination dummy, two parts (2 dummies with screw)	set
1a	SC1053-L08	SC1054-L10	SC1055-L12	SC1055-L12	SC1055-L12	countersunk flat head screw with hexagon socket	piece
2	SF0950-LR2	SF0951-LR2	SF0952-LR2	SF0953-LR2	SF0955-5LR2	shaping dummy	piece
3	PE1010-01/LR	PE1011-01/LR	PE1012-LR	PE1013-LR	PE1025-LR	joint retainer	piece
	2/Z	2/Z	4/B	5/C	7/C	laser marking	-

- ➔ Assembly/lamination dummies are included in the scope of delivery of the system joints.
- ➔ You will find an overview of our tools on catalogue page J1ff.
- ➔ You will also find the joint retainers and the corresponding laser markings in the tool case on the catalogue pages J13 and J14.

Cover Plate Pressing Aid

Item	Article Number for System Width					Description	Unit
	10mm	12mm	14mm	16mm	20mm		
4	WE5000-SF	WE5001-SF	WE5002-SF	WE5002-SF	WE5002-SF	cover plate pressing aid (pressing screw and washer)	set

- ➔ The cover plate pressing aid is included in the scope of delivery of the system joints.

Cover Plate Pressing Aid (4)





rivet stirrup



lamination/prepreg stirrup



thermoformage stirrup



side view

General Measures of the System Stirrups					
Measure [mm]	System Width				
	10mm	12mm	14mm	16mm	20mm
thickness	2.0	2.0	2.5	3.0	3.0
neck width	16.0	19.4	23.2	26.6	30.8
bore hole diameter	6.0	7.0	8.5	9.6	10.5

Bent							
Description	Leg Side	Unit	Article Number and Measures for System Width				
			10mm	12mm	14mm	16mm	20mm
rivet stirrup	left lateral or right medial	piece	FH3070-L/ST3	FH3071-L/ST3	FH3082-L/ST4	FH3093-L/ST4	FH3015-L/ST5
	left medial or right lateral		FH3070-R/ST3	FH3071-R/ST3	FH3082-R/ST4	FH3093-R/ST4	FH3015-R/ST5
length from the middle of the bore hole [mm]			104	112	124	144	166
weight [g]			32	42	70	111	141
lamination/prepreg stirrup	left lateral or right medial	piece	FH3170-L/ST1	FH3171-L/ST1	FH3182-L/ST1	FH3193-L/ST1	FH3115-L/ST1
	left medial or right lateral		FH3170-R/ST1	FH3171-R/ST1	FH3182-R/ST1	FH3193-R/ST1	FH3115-R/ST1
length from the middle of the bore hole [mm]			30	39	50	58	68
weight [g]			10	17	33	53	71
thermoformage stirrup	left lateral or right medial	piece	FH3270-L/ST2	FH3271-L/ST2	FH3282-L/ST2	FH3293-L/ST2	FH3215-L/ST3
	left medial or right lateral		FH3270-R/ST2	FH3271-R/ST2	FH3282-R/ST2	FH3293-R/ST2	FH3215-R/ST3
length from the middle of the bore hole [mm]			49	54	61	67	73
weight [g]			14	20	34	53	66



rivet stirrup



lamination/prepreg stirrup



thermoformage stirrup



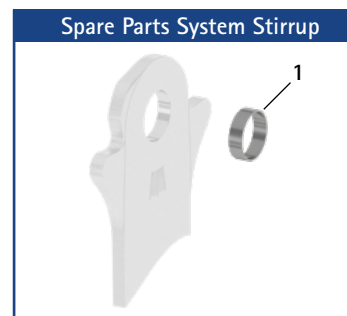
shoe caliper plate stirrup*

Straight						
Description	Unit	Article Number and Measures for System Width				
		10mm	12mm	14mm	16mm	20mm
rivet stirrup	piece	FH3070-ST/3	FH3071-ST/3	FH3082-ST/4	FH3093-ST/4	FH3015-ST/5
length from the middle of the bore hole [mm]		105	113	125	145	165
weight [g]		32	42	70	111	141
lamination/prepreg stirrup	piece	FH3170-ST/1	FH3171-ST/1	FH3182-ST/1	FH3193-ST/1	FH3115-ST/1
length from the middle of the bore hole [mm]		31	40	51	59	69
weight [g]		10	17	33	53	71
thermoformage stirrup	piece	FH3270-ST/2	FH3271-ST/2	FH3282-ST/2	FH3293-ST/2	FH3215-ST/3
length from the middle of the bore hole [mm]		50	55	62	68	74
weight [g]		14	20	34	53	66
shoe caliper plate stirrup	piece	-	-	-	FB7553-ST/5	FB7555-ST/6
length from the middle of the bore hole [mm]		-	-	-	165	185
weight [g]		-	-	-	92	106
insertion width* [mm]		-	-	-	22	22

*The insertion width of the shoe caliper plate stirrup is equivalent to its insertion width.

Spare Parts System Stirrup						
Item	Article Number for System Width					Description
	10mm	12mm	14mm	16mm	20mm	
1	BP0706-L020	BR0807-L020	BR1009-L025	BR1110-L030	BR1211-L030	sliding bushing

➔ All system stirrups of the NEURO CLASSIC-SPRING system ankle joint are delivered with an integrated sliding bushing.



Information for Processing

Rivet Stirrup:

➔ This system stirrup is riveted to the foot piece.

Lamination/Prepreg Stirrup:

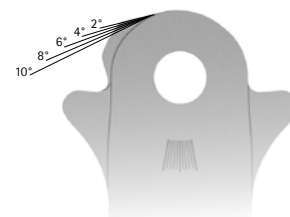
➔ This system stirrup is embedded into the laminate of the foot piece.

Thermoformage Stirrup:

➔ This system stirrup is embedded into thermoformable plastics, but can be embedded into laminates as well.

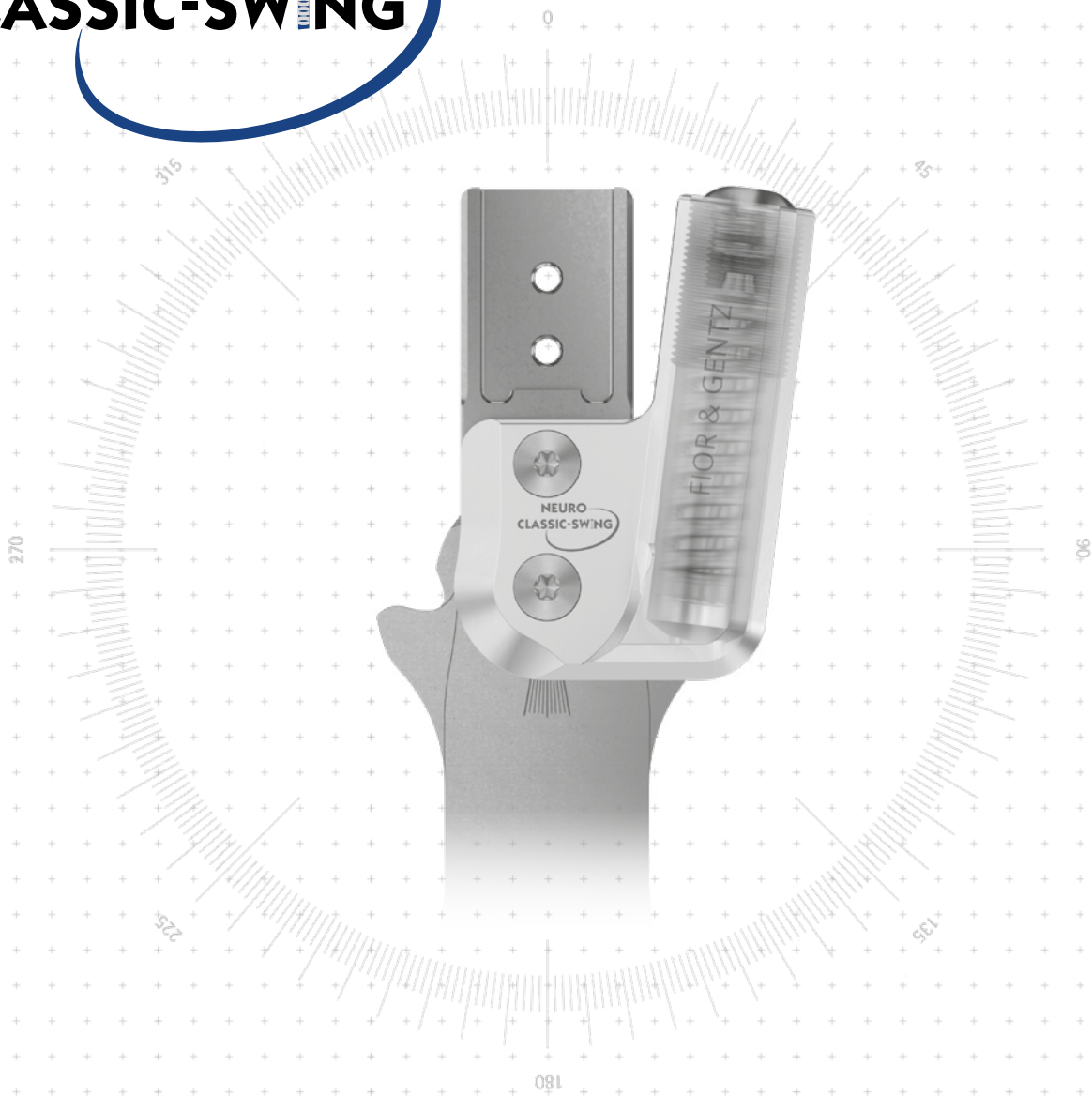
Shoe Caliper Plate Stirrup:

➔ This system stirrup is inserted into shoe plates.



- ➔ The system stirrup is marked with lines in the head area which serve as orientation for precisely filing the stirrup to the desired dorsiflexion stop.
- ➔ Range of motion in plantar flexion up to a maximum of 15°.
- ➔ The system stirrup is marked with lines in the neck area in order to read the joint angle.

NEURO CLASSIC-SWING





NEURO CLASSIC

NEURO CLASSIC Carbon

NEURO CLASSIC-SPRING

NEURO CLASSIC-SWING

	Dorsiflexion Stop	Plantar Flexion Stop
Main Function	 <p>none delivery status: static</p>	 <p>dynamic (with dorsiflexion assist)</p>
Adjustment Options	fileable	adjustable, variable spring force by exchanging the spring unit
Other Functions	none by filing	static by adjusting the motion limiting screw

The NEURO CLASSIC-SWING system ankle joint can be converted into system ankle joints with plug + go modularity by filing the system stirrup and exchanging the functional unit and in the case of the NEURO HiSWING by mounting the spirit level as well. Furthermore, it can be converted into the NEURO CLASSIC free moving by filing the system stirrup and exchanging the cover plate as well as into the NEURO CLASSIC-SPRING by exchanging the functional unit.

The NEURO CLASSIC with the system stirrup of the main joint and the NEURO CLASSIC free moving can be used as supporting joints for the NEURO CLASSIC-SWING system ankle joint.



NEURO CLASSIC

NEURO CLASSIC Carbon

NEURO CLASSIC-SPRING

NEURO CLASSIC-SWING

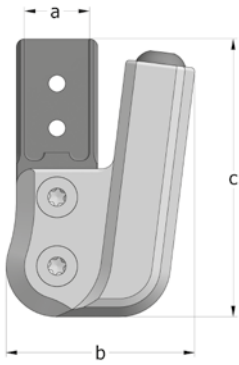


10mm 12mm 14mm 16mm 20mm

Joint Dimensions [mm]		System Width a				
Dimension	Description	10mm	12mm	14mm	16mm	20mm
b	joint head width	26	32	39	46	54
c	joint height	40	50.3	62.5	68.5	75
	joint thickness	10	12	14	17	20

Joint Weights* [g]		System Width				
Material	Unit	10mm	12mm	14mm	16mm	20mm
steel	piece	25	41	64.5	94	138
titanium	piece	-	32	50.5	75	108

* without spring unit



The NEURO CLASSIC-SWING system ankle joint is delivered with the following articles:

- cover plate pressing aid
- orthosis joint grease, 3g
- assembly/lamination dummy

- ➔ Please order spring units, shaping dummy, system stirrups and system side bars/anchors separately.
- ➔ You will find spring units on catalogue page A40.7.
- ➔ You will find the shaping dummy on catalogue page A40.8.
- ➔ You will find system stirrups on catalogue page A40.9f.
- ➔ You will find system side bars/anchors on catalogue page I1ff.



straight
fig. 1



bent inwards
fig. 2



bent outwards
fig. 3

Straight (Fig. 1)

Material	Leg Side	Unit	Article Number for System Width				
			10mm	12mm	14mm	16mm	20mm
steel	left lateral or right medial	piece	SH3200-L/ST	SH3201-L/ST	SH3202-L/ST	SH3203-L/ST	SH3205-L/ST
	left medial or right lateral	piece	SH3200-R/ST	SH3201-R/ST	SH3202-R/ST	SH3203-R/ST	SH3205-R/ST
titanium	left lateral or right medial	piece	-	SH3201-L/TI	SH3202-L/TI	SH3203-L/TI	SH3205-L/TI
	left medial or right lateral	piece	-	SH3201-R/TI	SH3202-R/TI	SH3203-R/TI	SH3205-R/TI

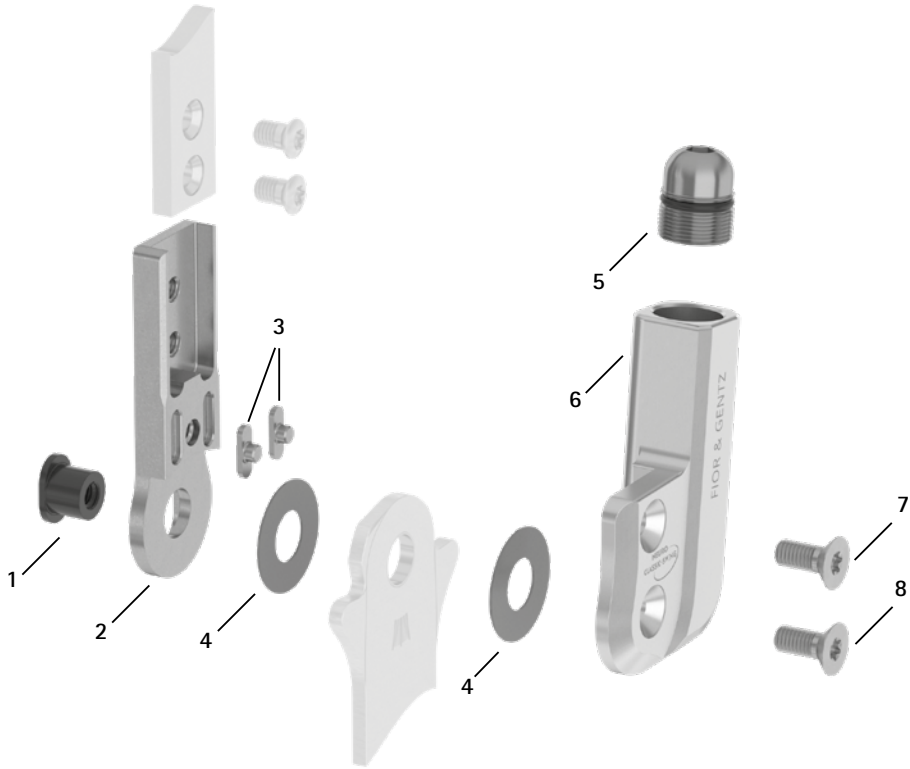
Bent Inwards (Fig. 2)

Material	Leg Side	Unit	Article Number for System Width				
			10mm	12mm	14mm	16mm	20mm
steel	left lateral or right medial	piece	SH3220-L/ST	SH3221-L/ST	SH3222-L/ST	SH3223-L/ST	SH3225-L/ST
	left medial or right lateral	piece	SH3220-R/ST	SH3221-R/ST	SH3222-R/ST	SH3223-R/ST	SH3225-R/ST
titanium	left lateral or right medial	piece	-	SH3221-L/TI	SH3222-L/TI	SH3223-L/TI	SH3225-L/TI
	left medial or right lateral	piece	-	SH3221-R/TI	SH3222-R/TI	SH3223-R/TI	SH3225-R/TI

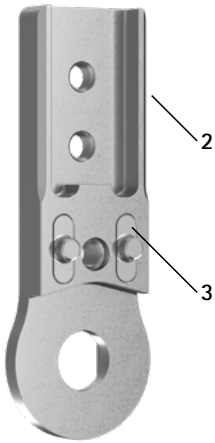
Bent Outwards (Fig. 3)

Material	Leg Side	Unit	Article Number for System Width				
			10mm	12mm	14mm	16mm	20mm
steel	left lateral or right medial	piece	SH3240-L/ST	SH3241-L/ST	SH3242-L/ST	SH3243-L/ST	SH3245-L/ST
	left medial or right lateral	piece	SH3240-R/ST	SH3241-R/ST	SH3242-R/ST	SH3243-R/ST	SH3245-R/ST
titanium	left lateral or right medial	piece	-	SH3241-L/TI	SH3242-L/TI	SH3243-L/TI	SH3245-L/TI
	left medial or right lateral	piece	-	SH3241-R/TI	SH3242-R/TI	SH3243-R/TI	SH3245-R/TI

Spare Parts



Upper Part with Feather Keys, Preassembled (2-3)



Spare Parts Screw Unit (5)



Spare Parts						
Item	Article Number for System Width					Description
	10mm	12mm	14mm	16mm	20mm	
1	SB6039-L0580*	SB7049-L0590*	SB8559-L0630*	SB9669-L0760*	SB1069-L0960*	bearing nut*
2-3	SF0310-P/ST	SF0311-P/ST	SF0312-P/ST	SF0313-P/ST	SF0315-P/ST	upper part with feather keys, straight, steel
2-3	-	SF0311-P/TI	SF0312-P/TI	SF0313-P/TI	SF0315-P/TI	upper part with feather keys, straight, titanium
2-3	SF0330-P/ST	SF0331-P/ST	SF0332-P/ST	SF0333-P/ST	SF0335-P/ST	upper part with feather keys, bent inwards, steel
2-3	-	SF0331-P/TI	SF0332-P/TI	SF0333-P/TI	SF0335-P/TI	upper part with feather keys, bent inwards, titanium
2-3	SF0330-8P/ST	SF0331-8P/ST	SF0332-8P/ST	SF0333-8P/ST	SF0335-8P/ST	upper part with feather keys, bent outwards, steel
2-3	-	SF0331-8P/TI	SF0332-8P/TI	SF0333-8P/TI	SF0335-8P/TI	upper part with feather keys, bent outwards, titanium
3	SF0390-01	SF0391-01	SF0392-02	SF0393-02	SF0395-02	feather key with pin
4	GS1206-**	GS1407-**	GS2009-**	GS2210-**	GS2611-**	sliding washer**
5	SC9609-L13	SC9611-L14	SC9612-L15	SC9614-L17	SC9618-L17	screw unit
5a	VE3771-06/11	VE3771-08/15	VE3771-09/15	VE3771-11/15	VE3771-125/15	O-ring for securing the alignment screw
5b	SC9609-L13/S	SC9611-L14/T	SC9612-L15/T	SC9614-L17/T	SC9618-L17/T	alignment screw
5c	VE3771-03/10	VE3771-04/10	VE3771-04/10	VE3771-04/10	VE3771-07/10	O-ring for securing the motion limiting screw
5d	SC9606-L05	SC9607-L06	SC9607-L06	SC9607-L06	SC9611-L06	motion limiting screw
6	SH0360-2L/AL	SH0361-2L/AL	SH0362-2L/AL	SH0363-2L/AL	SH0355-2L/AL	cover plate, left lateral or right medial
6	SH0360-2R/AL	SH0361-2R/AL	SH0362-2R/AL	SH0363-2R/AL	SH0355-2R/AL	cover plate, left medial or right lateral
7	SC1403-L08	SC1404-L10	SC1405-L11	SC1405-L12	SC1405-L14	countersunk flat head screw with hexalobular socket
8	SC1403-L08	SC1404-L10	SC1405-L11	SC1405-L12	SC1406-L14	countersunk flat head screw with hexalobular socket (axle screw)
5-8	SH3970-L/AL*	SH3971-L/AL*	SH3972-L/AL*	SH3973-L/AL*	SH3975-L/AL*	functional unit, left lateral or right medial*
5-8	SH3970-R/AL*	SH3971-R/AL*	SH3972-R/AL*	SH3973-R/AL*	SH3975-R/AL*	functional unit, left medial or right lateral*

* For a conversion from the NEURO CLASSIC with plug + go modularity, this longer bearing nut is required in addition to the functional unit (see item 1).

Feather Key Set							
Item	Article Number for System Width					Description	Unit
	10mm	12mm	14mm	16mm	20mm		
w/o fig.	SF0390	SF0391	SF0392	SF0393	SF0395	feather key set	set

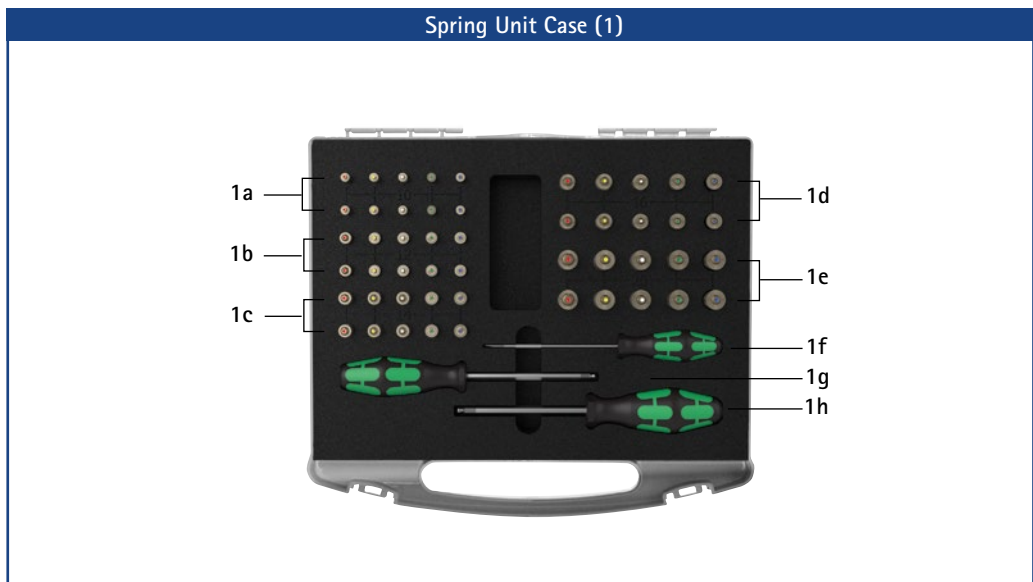
→ The feather key set contains two feather keys with pin and the outer assembly/lamination dummy to make pressing easier. You can order the set if the feather keys have to be exchanged.

** Sliding Washers					
Article Number for System Width					
10mm	12mm	14mm	16mm	20mm	
∅ = 12mm	∅ = 14mm	∅ = 20mm	∅ = 22mm	∅ = 26mm	
GS1206-040	GS1407-040	GS2009-040	GS2210-040	GS2611-040	
GS1206-045	GS1407-045	GS2009-045	GS2210-045	GS2611-045	
GS1206-050	GS1407-050	GS2009-050	GS2210-050	GS2611-050	
GS1206-055	GS1407-055	GS2009-055	GS2210-055	GS2611-055	
GS1206-060	GS1407-060	GS2009-060	GS2210-060	GS2611-060	

The last three digits of the article number stand for the thickness of the sliding washer, e.g. GS1407-040. The thickness of this sliding washer is 0.40mm. In total, the sliding washers are available in five different thicknesses. The thickness of a sliding washer is indicated by the markings. For example, a sliding washer with two notches is 0.40mm thick, whereas a sliding washer with one notch is 0.55mm thick.



- You will find system stirrups on catalogue page A40.9f.
- You will find the system side bars and system anchors on catalogue page I1ff.



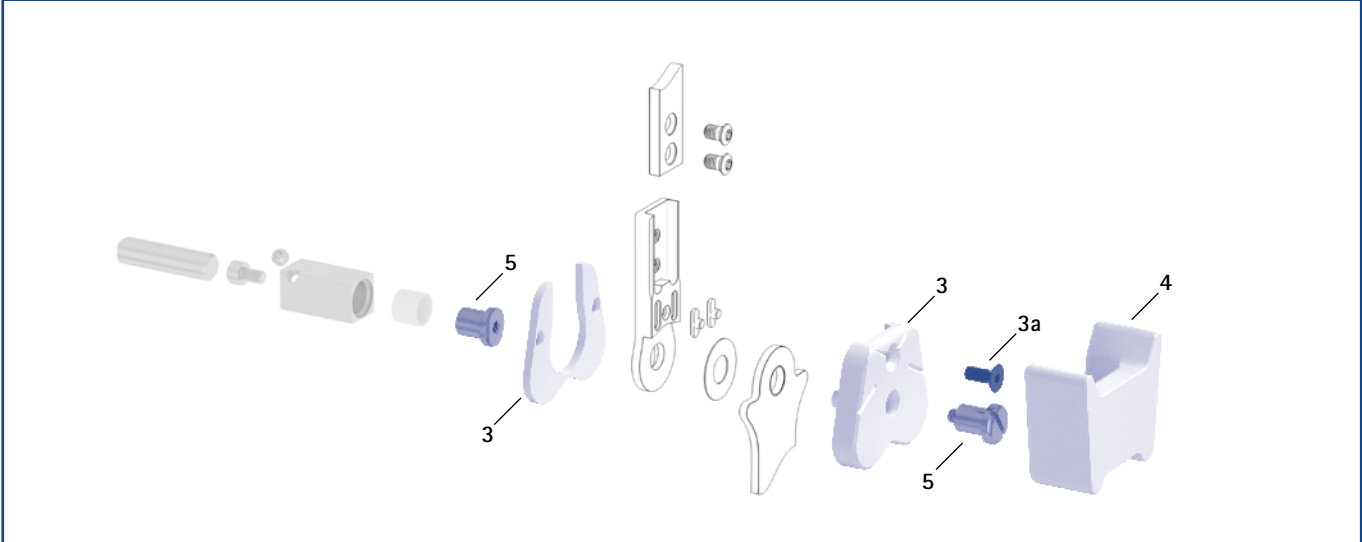
Spring Unit Case		
Item	Article Number	Description
1	SF5800	1 x spring unit set in a case with tools
w/o fig.	SF5800-0	1 x spring unit case for filling by yourself, with tools (without spring units)
1a	see table spring units	2 x of each blue, green, white, yellow and red spring unit for NEURO CLASSIC-SWING 10mm
1b	see table spring units	2 x of each blue, green, white, yellow and red spring unit for NEURO CLASSIC-SWING 12mm
1c	see table spring units	2 x of each blue, green, white, yellow and red spring unit for NEURO CLASSIC-SWING 14mm
1d	see table spring units	2 x of each blue, green, white, yellow and red spring unit for NEURO CLASSIC-SWING 16mm
1e	see table spring units	2 x of each blue, green, white, yellow and red spring unit for NEURO CLASSIC-SWING 20mm
1f	WZ5703-3513	1 x slotted screwdriver 0.6 x 3.5 x 100mm
1g	WZ5112-4010	1 x hexagonal screwdriver with spherical head, 4 x 100mm
1h	WZ5112-5010	1 x hexagonal screwdriver with spherical head, 5 x 100mm

Spring Units (You Need One of the Following Spring Units for One NEURO CLASSIC-SWING System Ankle Joint):						
Article Number for System Width					Description	Unit
10mm	12mm	14mm	16mm	20mm		
SF5800-15/02	SF5801-15/03	SF5802-15/05	SF5803-15/07	SF5805-15/18	spring unit, blue, normal, max. 15° range of motion	piece
SF5800-15/04	SF5801-15/06	SF5802-15/11	SF5803-15/15	SF5805-15/25	spring unit, green, medium, max. 15° range of motion	piece
SF5800-10/06	SF5801-10/12	SF5802-09/16	SF5803-10/21	SF5805-10/40	spring unit, white, strong, max. 10° range of motion	piece
SF5800-10/09	SF5801-10/19	SF5802-10/29	SF5803-10/31	SF5805-10/60	spring unit, yellow, very strong, max. 10° range of motion	piece
SF5800-05/17	SF5801-05/33	SF5802-05/53	SF5803-05/63	SF5805-05/99	spring unit, red, extra strong, max. 5° range of motion	piece

Spare Parts Spring Units						
Item	Article Number for System Width					Description
	10mm	12mm	14mm	16mm	20mm	
2	VE3771-045/10	VE3771-06/10	VE3771-07/10	VE3771-08/10	VE3771-11/10	O-ring for securing the spring unit

Spring Units Weights [g]							
Spring Unit	Article Number	System Width					
		10mm	12mm	14mm	16mm	20mm	
spring unit, blue, normal, max. 15° range of motion	see table spring units	3	6	7	11	33	
spring unit, green, medium, max. 15° range of motion	see table spring units	3	8	14	21	38	
spring unit, white, strong, max. 10° range of motion	see table spring units	3	9	17	26	49	
spring unit, yellow, very strong, max. 10° range of motion	see table spring units	4	9	17	30	57	
spring unit, red, extra strong, max. 5° range of motion	see table spring units	4	10	19	29	60	

Assembly/Lamination Dummies, Shaping Dummy and Joint Retainers (3, 4, 5)



Assembly/Lamination Dummies, Shaping Dummy and Joint Retainers

Item	Article Number for System Width					Description	Unit
	10mm	12mm	14mm	16mm	20mm		
3	SF0950-LR1	SF0951-LR1	SF0952-LR1	SF0953-LR1	SF0955-5LR1	assembly/lamination dummy, two parts (2 dummies with screw)	set
3a	SC1053-L08	SC1054-L10	SC1055-L12	SC1055-L12	SC1055-L12	countersunk flat head screw with hexagon socket	piece
4	SF0950-LR2	SF0951-LR2	SF0952-LR2	SF0953-LR2	SF0955-5LR2	shaping dummy	piece
5	PE1010-01/LR	PE1011-01/LR	PE1012-LR	PE1013-LR	PE1025-LR	joint retainer	piece
	1/Y	2/Z	4/B	5/C	7/C	laser marking	-

- ➔ Assembly/lamination dummies are included in the scope of delivery of the system joints.
- ➔ You will find an overview of our tools on catalogue page J1ff.
- ➔ You will also find the joint retainers and the corresponding laser markings in the tool case on the catalogue pages J13 and J14.

Cover Plate Pressing Aid

Item	Article Number for System Width					Description	Unit
	10mm	12mm	14mm	16mm	20mm		
6	WE5000-SF	WE5001-SF	WE5002-SF	WE5002-SF	WE5002-SF	cover plate pressing aid (pressing screw and washer)	set

- ➔ The cover plate pressing aid is included in the scope of delivery of the system joints.

Cover Plate Pressing Aid (6)





rivet stirrup



lamination/prepreg stirrup



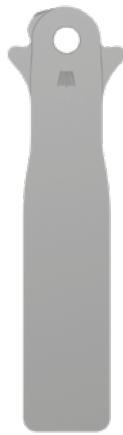
thermoformage stirrup



side view

General Measures of the System Stirrups					
Measure [mm]	System Width				
	10mm	12mm	14mm	16mm	20mm
thickness	2.0	2.0	2.5	3.0	3.0
neck width	16.0	19.4	23.2	26.6	30.8
bore hole diameter	6.0	7.0	8.5	9.6	10.5

Bent							
Description	Leg Side	Unit	Article Number and Measures for System Width				
			10mm	12mm	14mm	16mm	20mm
rivet stirrup	left lateral or right medial	piece	FH3070-L/ST3	FH3071-L/ST3	FH3082-L/ST4	FH3093-L/ST4	FH3015-L/ST5
	left medial or right lateral		FH3070-R/ST3	FH3071-R/ST3	FH3082-R/ST4	FH3093-R/ST4	FH3015-R/ST5
length from the middle of the bore hole [mm]			104	112	124	144	164
weight [g]			32	42	70	111	141
lamination/prepreg stirrup	left lateral or right medial	piece	FH3170-L/ST1	FH3171-L/ST1	FH3182-L/ST1	FH3193-L/ST1	FH3115-L/ST1
	left medial or right lateral		FH3170-R/ST1	FH3171-R/ST1	FH3182-R/ST1	FH3193-R/ST1	FH3115-R/ST1
length from the middle of the bore hole [mm]			30	39	50	58	68
weight [g]			10	17	33	53	71
thermoformage stirrup	left lateral or right medial	piece	FH3270-L/ST2	FH3271-L/ST2	FH3282-L/ST2	FH3293-L/ST2	FH3215-L/ST3
	left medial or right lateral		FH3270-R/ST2	FH3271-R/ST2	FH3282-R/ST2	FH3293-R/ST2	FH3215-R/ST3
length from the middle of the bore hole [mm]			49	54	61	67	73
weight [g]			14	20	34	53	66



rivet stirrup



lamination/prepreg stirrup

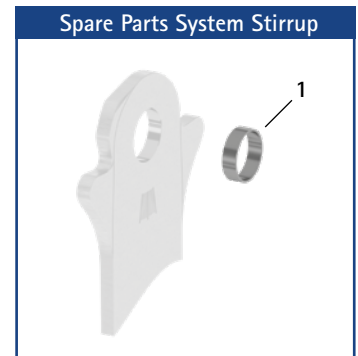


thermoformage stirrup

Straight						
Description	Unit	Article Number and Measures for System Width				
		10mm	12mm	14mm	16mm	20mm
rivet stirrup	piece	FH3070-ST/3	FH3071-ST/3	FH3082-ST/4	FH3093-ST/4	FH3015-ST/5
length from the middle of the bore hole [mm]		105	113	125	145	165
weight [g]		32	42	70	111	141
lamination/prepreg stirrup	piece	FH3170-ST/1	FH3171-ST/1	FH3182-ST/1	FH3193-ST/1	FH3115-ST/1
length from the middle of the bore hole [mm]		31	40	51	59	69
weight [g]		10	17	33	53	71
thermoformage stirrup	piece	FH3270-ST/2	FH3271-ST/2	FH3282-ST/2	FH3293-ST/2	FH3215-ST/3
length from the middle of the bore hole [mm]		50	55	62	68	74
weight [g]		14	20	34	53	66

Spare Parts System Stirrup						
Item	Article Number for System Width					Description
	10mm	12mm	14mm	16mm	20mm	
1	BP0706-L020	BR0807-L020	BR1009-L025	BR1110-L030	BR1211-L030	sliding bushing

→ All system stirrups of the NEURO CLASSIC-SWING system ankle joint are delivered with an integrated sliding bushing.

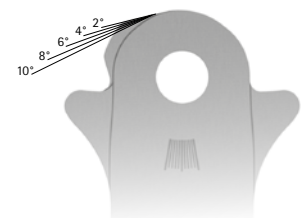


Information for Processing

Rivet Stirrup:
 → This system stirrup is riveted to the foot piece.

Lamination/Prepreg Stirrup:
 → This system stirrup is embedded into the laminate of the foot piece.



Thermoformage Stirrup:
 → This system stirrup is embedded into thermoformable plastics, but can be embedded into laminates as well.



- The system stirrup is marked with lines in the head area which serve as orientation for precisely filing the stirrup to the desired dorsiflexion stop.
- Range of motion in plantar flexion up to a maximum of 15°.
- The system stirrup is marked with lines in the neck area in order to read the joint angle.

NEURO VARIO-CLASSIC



	Dorsiflexion Stop	Plantar Flexion Stop
Main Function	 <p>static</p>	 <p>none</p>
Adjustment Options	fileable, adjustable	
Other Functions	none by filing	

The NEURO VARIO-CLASSIC system ankle joint can be converted into a NEURO VARIO-SPRING system ankle joint by exchanging the cover plate for a NEURO VARIO-SPRING functional unit.

The NEURO VARIO-CLASSIC system ankle joint can be used as a supporting joint for the NEURO VARIO-SPRING.



NEURO VARIO-CLASSIC

NEURO VARIO-CLASSIC 2

NEURO VARIO

NEURO VARIO 2

NEURO VARIO-SPRING

NEURO VARIO-SPRING 2

NEURO VARIO-SWING



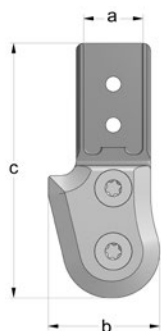
14mm

16mm

20mm

Joint Dimensions [mm]				
Dimension	Description	System Width a		
		14mm	16mm	20mm
b	joint head width	25	30	34
c	joint height	63	69	74
	joint thickness	11	11.5	12.5

Joint Weights [g]				
Material	Unit	System Width		
		14mm	16mm	20mm
steel	piece	47	69	96
titanium	piece	31	47	63



The NEURO VARIO-CLASSIC system ankle joint is delivered with the following articles:

- securing pin
- orthosis joint grease, 3g
- assembly/lamination dummy

- ➔ Please order system stirrups and system side bars/anchors separately.
- ➔ You will find system stirrups on catalogue page B10.7f.
- ➔ You will find system side bars/anchors on catalogue page I1ff.



straight
fig. 1



bent inwards
fig. 2



bent outwards
fig. 3

Straight (Fig. 1)

Material	Leg Side	Unit	Article Number for System Width		
			14mm	16mm	20mm
steel	left lateral or right medial	piece	SH2202-L/ST	SH2203-L/ST	SH2205-L/ST
	left medial or right lateral	piece	SH2202-R/ST	SH2203-R/ST	SH2205-R/ST
titanium	left lateral or right medial	piece	SH2202-L/TI	SH2203-L/TI	SH2205-L/TI
	left medial or right lateral	piece	SH2202-R/TI	SH2203-R/TI	SH2205-R/TI

Bent Inwards (Fig. 2)

Material	Leg Side	Unit	Article Number for System Width		
			14mm	16mm	20mm
steel	left lateral or right medial	piece	SH2222-L/ST	SH2223-L/ST	SH2225-L/ST
	left medial or right lateral	piece	SH2222-R/ST	SH2223-R/ST	SH2225-R/ST
titanium	left lateral or right medial	piece	SH2222-L/TI	SH2223-L/TI	SH2225-L/TI
	left medial or right lateral	piece	SH2222-R/TI	SH2223-R/TI	SH2225-R/TI

Bent Outwards (Fig. 3)

Material	Leg Side	Unit	Article Number for System Width		
			14mm	16mm	20mm
steel	left lateral or right medial	piece	SH2242-L/ST	SH2243-L/ST	SH2245-L/ST
	left medial or right lateral	piece	SH2242-R/ST	SH2243-R/ST	SH2245-R/ST
titanium	left lateral or right medial	piece	SH2242-L/TI	SH2243-L/TI	SH2245-L/TI
	left medial or right lateral	piece	SH2242-R/TI	SH2243-R/TI	SH2245-R/TI

NEURO VARIO-CLASSIC

NEURO VARIO-CLASSIC 2

NEURO VARIO

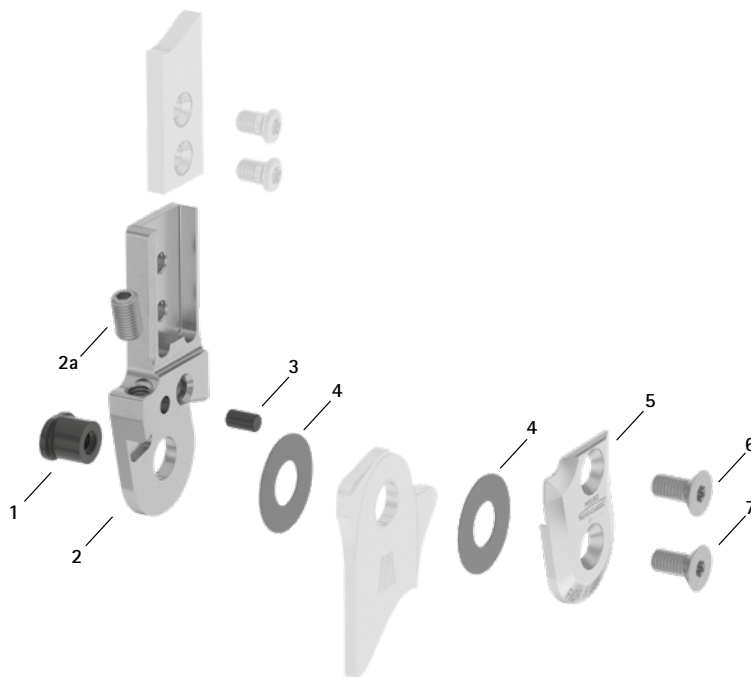
NEURO VARIO 2

NEURO VARIO-SPRING

NEURO VARIO-SPRING 2

NEURO VARIO-SWING

Spare Parts



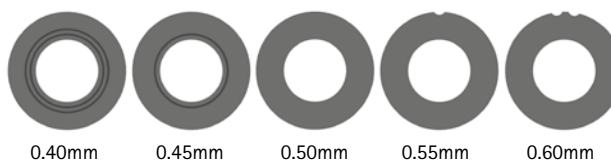
Spare Parts

Item	Article Number for System Width			Description
	14mm	16mm	20mm	
1	SB8559-L0620	SB9669-L0760	SB1069-L0810	bearing nut
2	SF0412-L/ST	SF0413-L/ST	SF0415-L/ST	upper part, left lateral or right medial, straight, steel (with adjusting screw)
2	SF0412-R/ST	SF0413-R/ST	SF0415-R/ST	upper part, left medial or right lateral, straight, steel (with adjusting screw)
2	SF0412-L/TI	SF0413-L/TI	SF0415-L/TI	upper part, left lateral or right medial, straight, titanium (with adjusting screw)
2	SF0412-R/TI	SF0413-R/TI	SF0415-R/TI	upper part, left medial or right lateral, straight, titanium (with adjusting screw)
2	SF0432-L/ST	SF0433-L/ST	SF0435-L/ST	upper part, left lateral or right medial, bent inwards, steel (with adjusting screw)
2	SF0432-R/ST	SF0433-R/ST	SF0435-R/ST	upper part, left medial or right lateral, bent inwards, steel (with adjusting screw)
2	SF0432-L/TI	SF0433-L/TI	SF0435-L/TI	upper part, left lateral or right medial, bent inwards, titanium (with adjusting screw)
2	SF0432-R/TI	SF0433-R/TI	SF0435-R/TI	upper part, left medial or right lateral, bent inwards, titanium (with adjusting screw)
2	SF0432-8L/ST	SF0433-8L/ST	SF0435-8L/ST	upper part, left lateral or right medial, bent outwards, steel (with adjusting screw)
2	SF0432-8R/ST	SF0433-8R/ST	SF0435-8R/ST	upper part, left medial or right lateral, bent outwards, steel (with adjusting screw)
2	SF0432-8L/TI	SF0433-8L/TI	SF0435-8L/TI	upper part, left lateral or right medial, bent outwards, titanium (with adjusting screw)
2	SF0432-8R/TI	SF0433-8R/TI	SF0435-8R/TI	upper part, left medial or right lateral, bent outwards, titanium (with adjusting screw)
2a	SC9605-L08ST	SC9606-L10ST	SC9606-L10ST	adjusting screw
3	GS4007	GS4007	GS4007	securing pin
4	GS2009-*	GS2210-*	GS2611-*	sliding washer*
5	SH0262-L/AL	SH0263-L/AL	SH0265-L/AL	cover plate, left lateral or right medial
5	SH0262-R/AL	SH0263-R/AL	SH0265-R/AL	cover plate, left medial or right lateral
6	SC1405-L10	SC1405-L11	SC1405-L12	countersunk flat head screw with hexalobular socket
7	SC1405-L10	SC1405-L11	SC1406-L12	countersunk flat head screw with hexalobular socket (axle screw)

* Sliding Washers

	Article Number for System Width		
	14mm	16mm	20mm
	Ø = 20mm	Ø = 22mm	Ø = 26mm
	GS2009-040	GS2210-040	GS2611-040
	GS2009-045	GS2210-045	GS2611-045
	GS2009-050	GS2210-050	GS2611-050
	GS2009-055	GS2210-055	GS2611-055
	GS2009-060	GS2210-060	GS2611-060

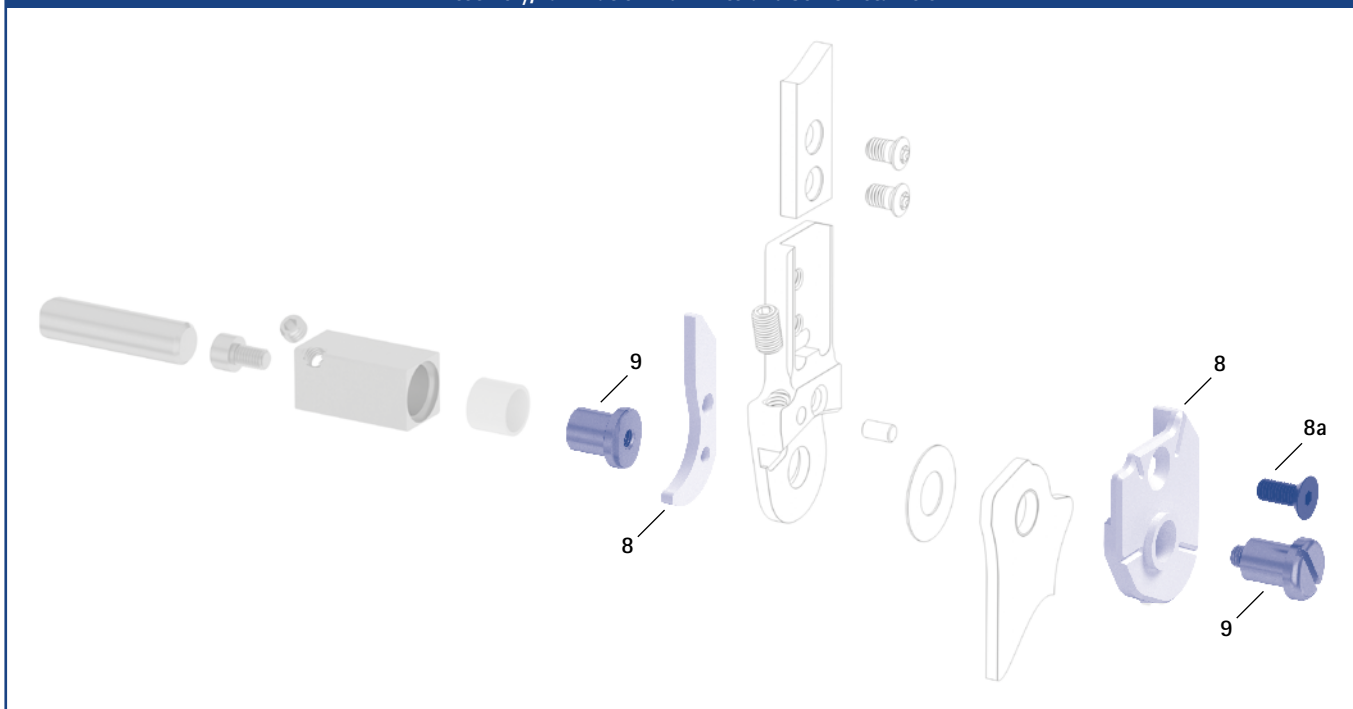
The last three digits of the article number stand for the thickness of the sliding washer, e.g. GS2009-040. The thickness of this sliding washer is 0.40mm. In total, the sliding washers are available in five different thicknesses. The thickness of a sliding washer is indicated by the markings. For example, a sliding washer with two notches is 0.40mm thick, whereas a sliding washer with one notch is 0.55mm thick.



➔ You will find system stirrups on catalogue page B10.7f.

➔ You will find the system side bars and system anchors on catalogue page I1ff.

Assembly/Lamination Dummies and Joint Retainers



Assembly/Lamination Dummies and Joint Retainers

Item	Article Number for System Width			Description	Unit
	14 mm	16 mm	20 mm		
8	SF0942-L	SF0943-L	SF0945-L	assembly/lamination dummy, left lateral or right medial, two parts (2 dummies with screw)	set
8	SF0942-R	SF0943-R	SF0945-R	assembly/lamination dummy, left medial or right lateral, two parts (2 dummies with screw)	set
8a	SC1055-L12	SC1055-L12	SC1055-L12	countersunk flat head screw with hexagon socket	piece
9	PE1012-LR	PE1013-LR	PE1025-LR	joint retainer	piece
	4/B	5/C	7/C	laser marking	-

- ➔ Assembly/lamination dummies are included in the scope of delivery of the system joints.
- ➔ You will find an overview of our tools on catalogue page J1ff.
- ➔ You will also find the joint retainers and the corresponding laser markings in the tool case on the catalogue pages J13 and J14.



rivet stirrup



lamination/prepreg stirrup



thermoformage stirrup



side view

General Measures of the System Stirrups			
Measure [mm]	System Width		
	14mm	16mm	20mm
thickness	2.5	3.0	3.0
neck width	23.2	26.6	30.8
bore hole diameter	8.5	9.6	10.5

Bent					
Description	Leg Side	Unit	Article Number and Measures for System Width		
			14mm	16mm	20mm
rivet stirrup	left lateral or right medial	piece	FB4082-L/ST4	FB4093-L/ST4	FB4095-L/ST5
	left medial or right lateral		FB4082-R/ST4	FB4093-R/ST4	FB4095-R/ST5
length from the middle of the bore hole [mm]			124	144	164
weight [g]			67	106	134
lamination/prepreg stirrup	left lateral or right medial	piece	FB4182-L/ST1	FB4193-L/ST1	FB4195-L/ST1
	left medial or right lateral		FB4182-R/ST1	FB4193-R/ST1	FB4195-R/ST1
length from the middle of the bore hole [mm]			50	58	68
weight [g]			32	52	68
thermoformage stirrup	left lateral or right medial	piece	FB4282-L/ST2	FB4293-L/ST2	FB4295-L/ST3
	left medial or right lateral		FB4282-R/ST2	FB4293-R/ST2	FB4295-R/ST3
length from the middle of the bore hole [mm]			61	67	73
weight [g]			32	50	61



rivet stirrup



lamination/prepreg stirrup

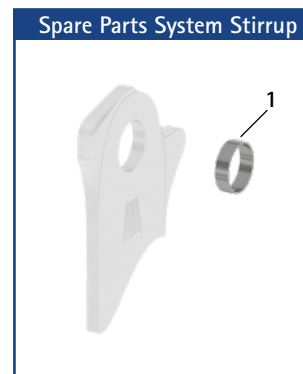


thermoformage stirrup

Straight				
Description	Unit	Article Number and Measures for System Width		
		14mm	16mm	20mm
rivet stirrup	piece	FB4082-ST/4	FB4093-ST/4	FB4095-ST/5
length from the middle of the bore hole [mm]		125	145	165
weight [g]		67	106	134
lamination/prepreg stirrup	piece	FB4182-ST/1	FB4193-ST/1	FB4195-ST/1
length from the middle of the bore hole [mm]		51	59	69
weight [g]		32	52	68
thermoformage stirrup	piece	FB4282-ST/2	FB4293-ST/2	FB4295-ST/3
length from the middle of the bore hole [mm]		62	68	74
weight [g]		32	50	61

Spare Parts System Stirrup				
Item	Article Number for System Width			Description
	14mm	16mm	20mm	
1	BR1009-L025	BR1110-L030	BR1211-L030	sliding bushing

➔ All system stirrups of the NEURO VARIO-CLASSIC system ankle joint are delivered with an integrated sliding bushing.

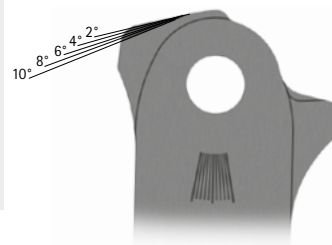


Information for Processing

Rivet Stirrup:
➔ This system stirrup is riveted to the foot piece.

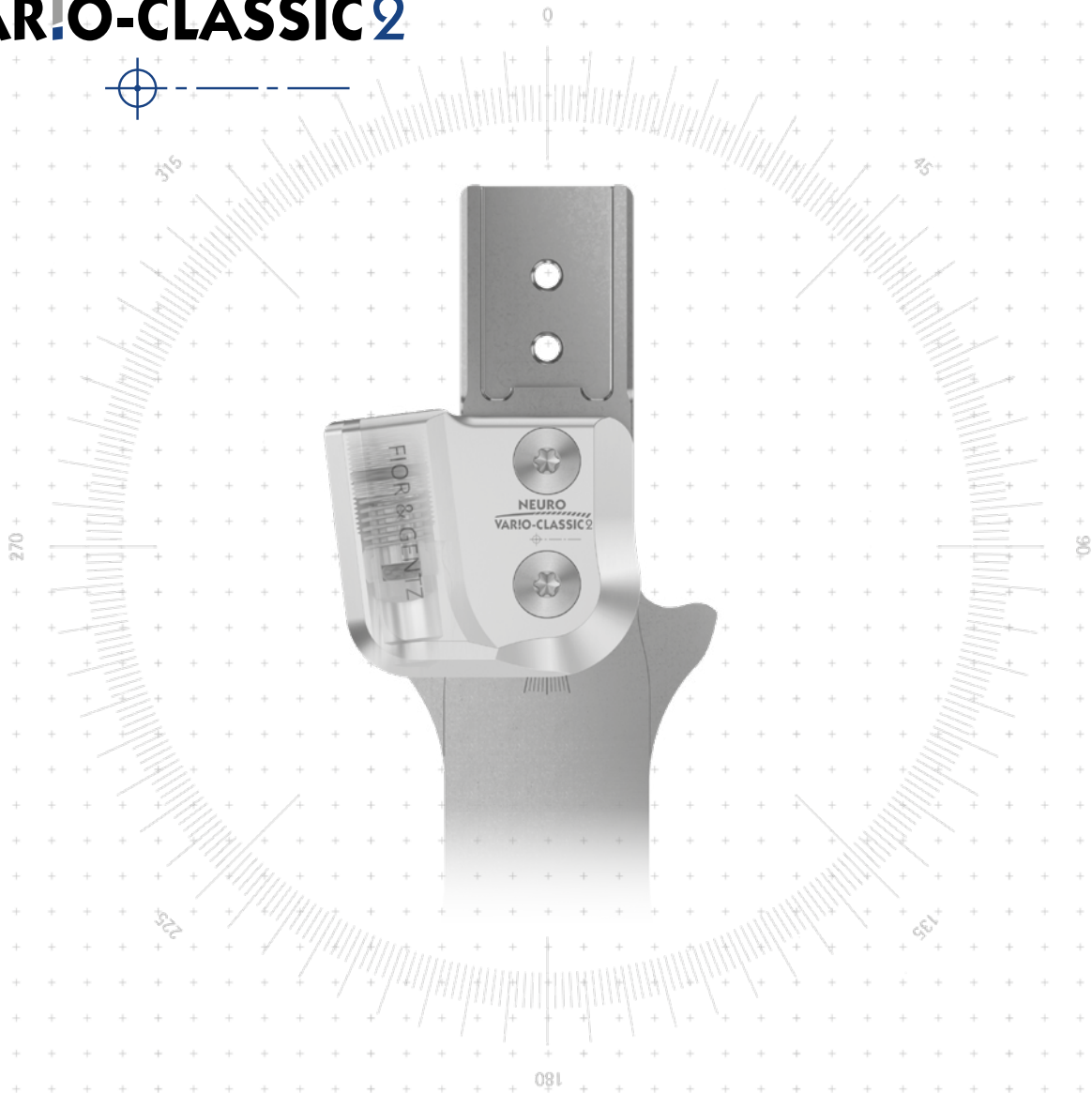
Lamination/Prepreg Stirrup:
➔ This system stirrup is embedded into the laminate of the foot piece.

Thermoformage Stirrup:
➔ This system stirrup is embedded into thermoformable plastics, but can be embedded into laminates as well.



- ➔ The system stirrup is marked with lines in the head area which serve as orientation for precisely filling the stirrup to the desired dorsiflexion stop.
- ➔ The system stirrup is marked with lines in the neck area in order to read the joint angle.

NEURO VARIO-CLASSIC 2



	Dorsiflexion Stop	Plantar Flexion Stop
Main Function	 <p>static</p>	 <p>none</p>
Adjustment Options	adjustable	

The NEURO VARIO-CLASSIC 2 system ankle joint comes with integrated noise reduction.

The NEURO VARIO-CLASSIC 2 system ankle joint can be converted into the NEURO CLASSIC system ankle joint free moving by optionally filing the system stirrup and by exchanging the functional unit.

The NEURO VARIO-CLASSIC 2 system ankle joint can be used as a supporting joint for the NEURO VARIO 2, NEURO VARIO-SPRING 2 and the NEURO VARIO-SWING.



The NEURO VARIO-CLASSIC 2 system ankle joint can be converted into the NEURO CLASSIC with plug + go modularity, NEURO VARIO 2, NEURO VARIO-SPRING 2, NEURO VARIO-SWING, NEURO SWING, NEURO SWING 2 and NEURO HiSWING system ankle joints by exchanging the functional unit and in the case of the NEURO HiSWING by mounting the spirit level as well.



NEURO VARIO-CLASSIC

NEURO VARIO-CLASSIC 2

NEURO VARIO

NEURO VARIO 2

NEURO VARIO-SPRING

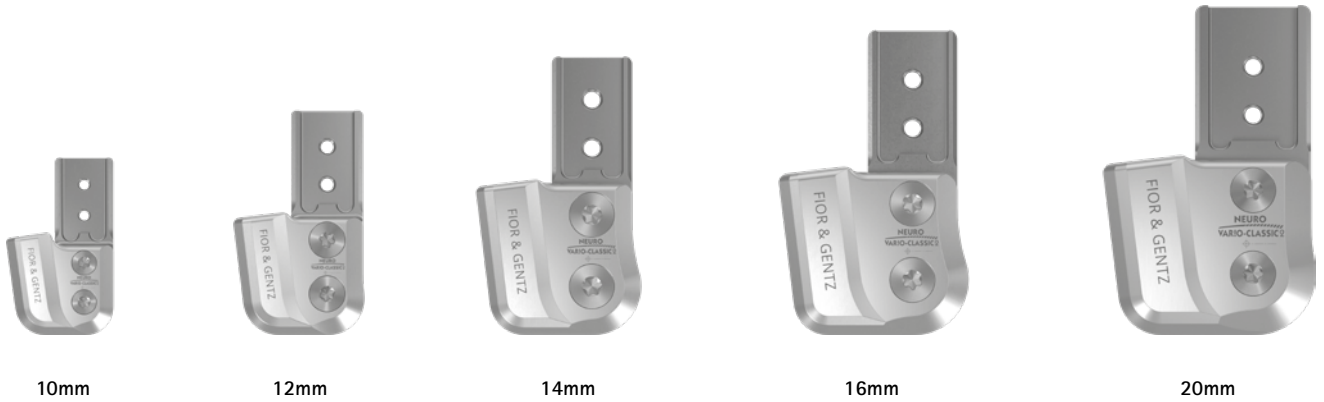
NEURO VARIO-SPRING 2

NEURO VARIO-SWING

System Ankle Joints NEURO VARIO-CLASSIC 2

NEURO VARIO-CLASSIC

NEURO VARIO-CLASSIC 2



NEURO VARIO

Joint Dimensions [mm]

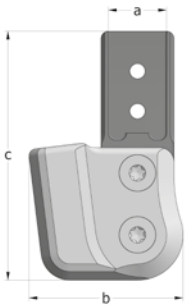
Dimension	Description	System Width a				
		10mm	12mm	14mm	16mm	20mm
b	joint head width	24	29	37	42	47
c	joint height	40	50	63	68.5	74
	joint thickness	10	11.5	13.5	16	17

NEURO VARIO 2

Joint Weights [g]

Material	Unit	System Width				
		10mm	12mm	14mm	16mm	20mm
steel	piece	17	30	48	67	97
titanium	piece	-	21	34	48	67

NEURO VARIO-SPRING



NEURO VARIO-SPRING 2

The NEURO VARIO-CLASSIC 2 system ankle joint is delivered with the following articles:

- cover plate pressing aid
- orthosis joint grease, 3g
- assembly/lamination dummy

NEURO VARIO-SWING

- ➔ Please order shaping dummy, system stirrups and system side bars/anchors separately.
- ➔ You will find the shaping dummy on catalogue page B20.7.
- ➔ You will find system stirrups plug + go modularity on catalogue page B20.8f.
- ➔ You will find system side bars/anchors on catalogue page I1ff.

B20.3



straight
fig. 1



bent inwards
fig. 2



bent outwards
fig. 3

Straight (Fig. 1)

Material	Leg Side	Unit	Article Number for System Width				
			10mm	12mm	14mm	16mm	20mm
steel	left lateral or right medial	piece	SH6200-L/ST	SH6201-L/ST	SH6202-L/ST	SH6203-L/ST	SH6205-L/ST
	left medial or right lateral	piece	SH6200-R/ST	SH6201-R/ST	SH6202-R/ST	SH6203-R/ST	SH6205-R/ST
titanium	left lateral or right medial	piece	-	SH6201-L/TI	SH6202-L/TI	SH6203-L/TI	SH6205-L/TI
	left medial or right lateral	piece	-	SH6201-R/TI	SH6202-R/TI	SH6203-R/TI	SH6205-R/TI

Bent Inwards (Fig. 2)

Material	Leg Side	Unit	Article Number for System Width				
			10mm	12mm	14mm	16mm	20mm
steel	left lateral or right medial	piece	SH6220-L/ST	SH6221-L/ST	SH6222-L/ST	SH6223-L/ST	SH6225-L/ST
	left medial or right lateral	piece	SH6220-R/ST	SH6221-R/ST	SH6222-R/ST	SH6223-R/ST	SH6225-R/ST
titanium	left lateral or right medial	piece	-	SH6221-L/TI	SH6222-L/TI	SH6223-L/TI	SH6225-L/TI
	left medial or right lateral	piece	-	SH6221-R/TI	SH6222-R/TI	SH6223-R/TI	SH6225-R/TI

Bent Outwards (Fig. 3)

Material	Leg Side	Unit	Article Number for System Width				
			10mm	12mm	14mm	16mm	20mm
steel	left lateral or right medial	piece	SH6240-L/ST	SH6241-L/ST	SH6242-L/ST	SH6243-L/ST	SH6245-L/ST
	left medial or right lateral	piece	SH6240-R/ST	SH6241-R/ST	SH6242-R/ST	SH6243-R/ST	SH6245-R/ST
titanium	left lateral or right medial	piece	-	SH6241-L/TI	SH6242-L/TI	SH6243-L/TI	SH6245-L/TI
	left medial or right lateral	piece	-	SH6241-R/TI	SH6242-R/TI	SH6243-R/TI	SH6245-R/TI

NEURO VARIO-CLASSIC

NEURO VARIO-CLASSIC 2

NEURO VARIO

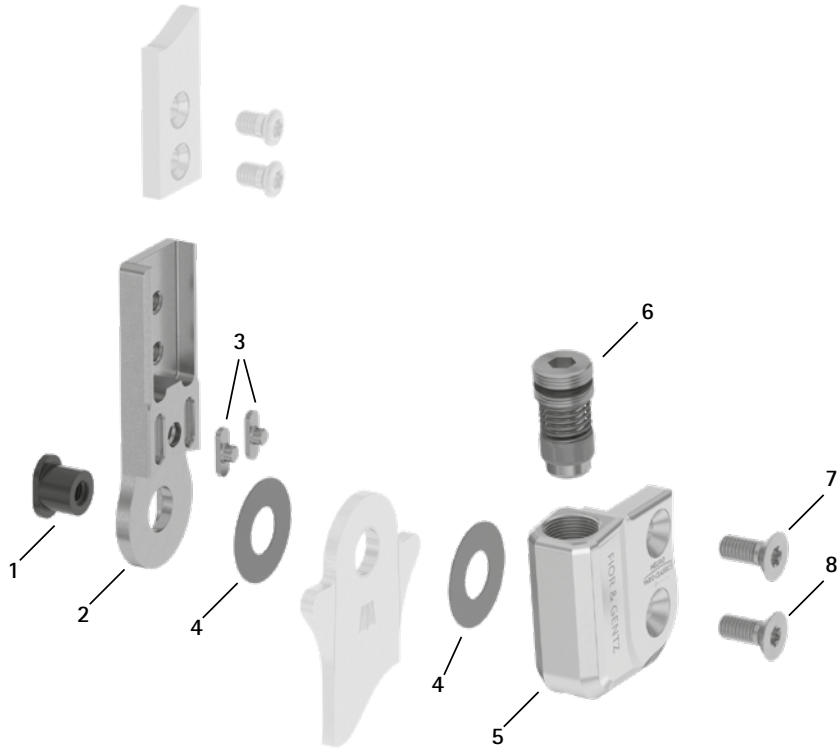
NEURO VARIO 2

NEURO VARIO-SPRING

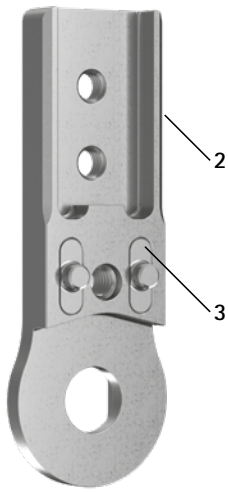
NEURO VARIO-SPRING 2

NEURO VARIO-SWING

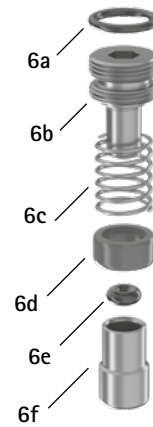
Spare Parts



Upper Part with Feather Keys, Preassembled (2-3)



Spare Parts Screw Unit (6)



Spare Parts						
Item	Article Number for System Width					Description
	10mm	12mm	14mm	16mm	20mm	
1	SB6039-L0580*	SB7049-L0590*	SB8559-L0630*	SB9669-L0760*	SB1069-L0960*	bearing nut*
2-3	SF0310-P/ST	SF0311-P/ST	SF0312-P/ST	SF0313-P/ST	SF0315-P/ST	upper part with feather keys, straight, steel
2-3	-	SF0311-P/TI	SF0312-P/TI	SF0313-P/TI	SF0315-P/TI	upper part with feather keys, straight, titanium
2-3	SF0330-P/ST	SF0331-P/ST	SF0332-P/ST	SF0333-P/ST	SF0335-P/ST	upper part with feather keys, bent inwards, steel
2-3	-	SF0331-P/TI	SF0332-P/TI	SF0333-P/TI	SF0335-P/TI	upper part with feather keys, bent inwards, titanium
2-3	SF0330-8P/ST	SF0331-8P/ST	SF0332-8P/ST	SF0333-8P/ST	SF0335-8P/ST	upper part with feather keys, bent outwards, steel
2-3	-	SF0331-8P/TI	SF0332-8P/TI	SF0333-8P/TI	SF0335-8P/TI	upper part with feather keys, bent outwards, titanium
3	SF0390-01	SF0391-01	SF0392-02	SF0393-02	SF0395-02	feather key with pin
4	GS1206-**	GS1407-**	GS2009-**	GS2210-**	GS2611-**	sliding washer**
5	SH0660-L/AL	SH0661-L/AL	SH0662-L/AL	SH0663-L/AL	SH0665-L/AL	cover plate, left lateral or right medial
5	SH0660-R/AL	SH0661-R/AL	SH0662-R/AL	SH0663-R/AL	SH0665-R/AL	cover plate, left medial or right lateral
6	SC9607-L04	SC9608-L06	SC9611-L08	SC9612-L08	SC9612-L08	screw unit
6a	VE3771-04/10	VE3771-050/10	VE3771-08/15	VE3771-09/15	VE3771-09/15	O-ring for securing the alignment screw
6b	SC9607-L04/S	SC9608-L06/S	SC9611-L08/S	SC9612-L08/S	SC9612-L08/S	alignment screw, steel
6c	FE1615-01	FE1611-01	FE1916-01	FE1027-01	FE1027-01	coil spring
6d	GS0604-350	GS0705-525	GS1007-350	GS1108-500	GS1108-500	sliding bushing
6e	PN0003-L02	PN0004-L02	-	-	-	stop damper
6e	-	-	VE3771-010/20	VE3771-012/26	VE3771-012/26	O-ring damper
6f	SH0490-01	SH0491-01	SH0492-01	SH0493-01	SH0493-01	plunger
7	SC1403-L08	SC1404-L10	SC1405-L11	SC1405-L12	SC1405-L14	countersunk flat head screw with hexalobular socket
8	SC1403-L08	SC1404-L10	SC1405-L11	SC1405-L12	SC1406-L14	countersunk flat head screw with hexalobular socket (axle screw)
5-8	SH6970-L/AL*	SH6971-L/AL*	SH6972-L/AL*	SH6973-L/AL*	SH6975-L/AL*	functional unit plug + go modularity, left lateral or right medial*
5-8	SH6970-R/AL*	SH6971-R/AL*	SH6972-R/AL*	SH6973-R/AL*	SH6975-R/AL*	functional unit plug + go modularity, left medial or right lateral*

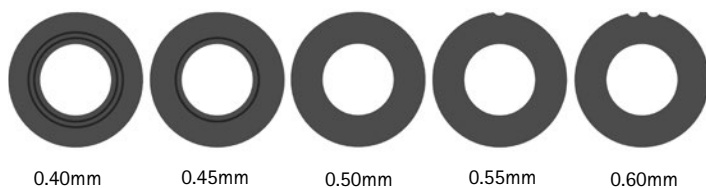
* For a conversion from the NEURO CLASSIC with plug + go modularity, this longer bearing nut is required in addition to the functional unit (see item 1).

Feather Key Set							
Item	Article Number for System Width					Description	Unit
	10mm	12mm	14mm	16mm	20mm		
w/o fig.	SF0390	SF0391	SF0392	SF0393	SF0395	feather key set	set

➔ The feather key set contains two feather keys with pin and the outer assembly/lamination dummy to make pressing easier. You can order the set if the feather keys have to be exchanged.

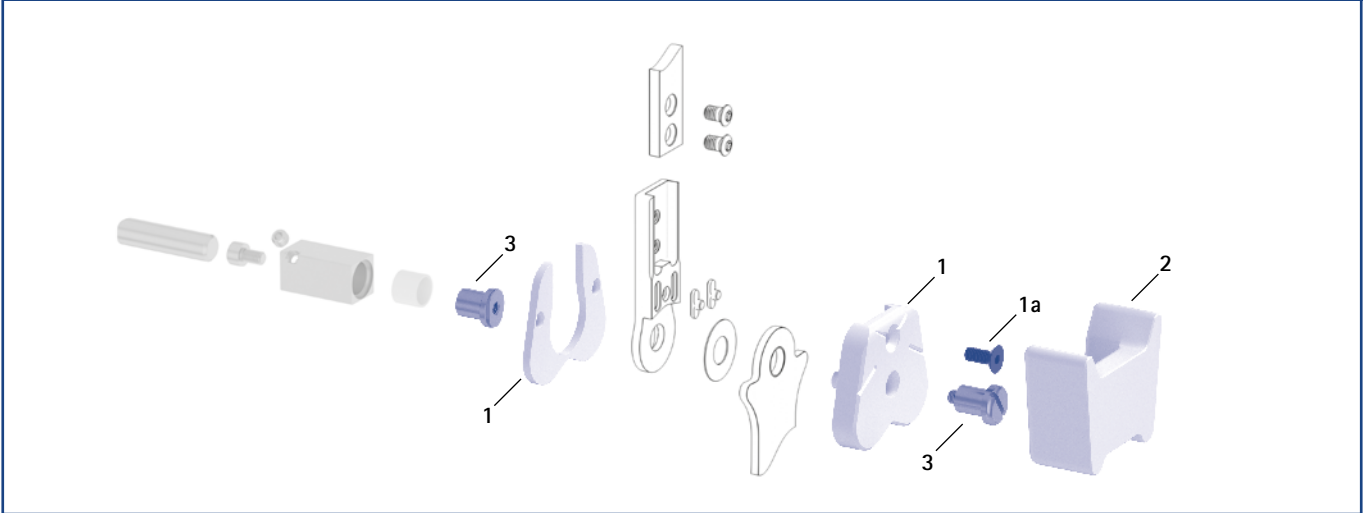
** Sliding Washers					
10mm	Article Number for System Width				20mm
	12mm	14mm	16mm	16mm	
∅ = 12mm	∅ = 14mm	∅ = 20mm	∅ = 22mm	∅ = 26mm	
GS1206-040	GS1407-040	GS2009-040	GS2210-040	GS2611-040	
GS1206-045	GS1407-045	GS2009-045	GS2210-045	GS2611-045	
GS1206-050	GS1407-050	GS2009-050	GS2210-050	GS2611-050	
GS1206-055	GS1407-055	GS2009-055	GS2210-055	GS2611-055	
GS1206-060	GS1407-060	GS2009-060	GS2210-060	GS2611-060	

The last three digits of the article number stand for the thickness of the sliding washer, e.g. GS1407-040. The thickness of this sliding washer is 0.40mm. In total, the sliding washers are available in five different thicknesses. The thickness of a sliding washer is indicated by the markings. For example, a sliding washer with two notches is 0.40mm thick, whereas a sliding washer with one notch is 0.55mm thick.



- ➔ You will find system stirrups plug + go modularity on catalogue page B20.8f.
- ➔ You will find the system side bars and system anchors on catalogue page I1ff.

Assembly/Lamination Dummies, Shaping Dummy and Joint Retainers (1, 2, 3)



Assembly/Lamination Dummies, Shaping Dummy and Joint Retainers							
Item	Article Number for System Width					Description	Unit
	10mm	12mm	14mm	16mm	20mm		
1	SF0950-LR1	SF0951-LR1	SF0952-LR1	SF0953-LR1	SF0955-5LR1	assembly/lamination dummy, two parts (2 dummies with screw)	set
1a	SC1053-L08	SC1054-L10	SC1055-L12	SC1055-L12	SC1055-L12	countersunk flat head screw with hexagon socket	piece
2	SF0950-LR2	SF0951-LR2	SF0952-LR2	SF0953-LR2	SF0955-5LR2	shaping dummy	piece
3	PE1010-01/LR	PE1011-01/LR	PE1012-LR	PE1013-LR	PE1025-LR	joint reatiner	piece
	1/Y	2/Z	4/B	5/C	7/C	laser marking	-

- ➔ Assembly/lamination dummies are included in the scope of delivery of the system joints.
- ➔ You will find an overview of our tools on catalogue page J1ff.
- ➔ You will also find the joint retainers and the corresponding laser markings in the tool case on the catalogue pages J13 and J14.

Cover Plate Pressing Aid							
Item	Article Number for System Width					Description	Unit
	10mm	12mm	14mm	16mm	20mm		
4	WE5000-SF	WE5001-SF	WE5002-SF	WE5002-SF	WE5002-SF	cover plate pressing aid (pressing screw and washer)	set

- ➔ The cover plate pressing aid is included in the scope of delivery of the system joints.





rivet stirrup



lamination/prepreg stirrup



thermoformage stirrup



side view

General Measures of the System Stirrups plug + go Modularity

Measure [mm]	System Width				
	10mm	12mm	14mm	16mm	20mm
thickness	2.0	2.0	2.5	3.0	3.0
neck width	16.0	19.4	23.2	26.6	30.8
bore hole diameter	6.0	7.0	8.5	9.6	10.5

Bent

Description	Leg/Leg Side	Unit	Article Number and Measures for System Width				
			10mm	12mm	14mm	16mm	20mm
rivet stirrup	left or right	piece	FB5070-LR/ST3	FB5071-LR/ST3	FB5082-LR/ST4	FB5093-LR/ST4	FB5015-LR/ST5
length from the middle of the bore hole [mm]			104	112	124	144	164
weight [g]			33	43	69	112	143
lamination/prepreg stirrup	left lateral or right medial	piece	FB5170-L/ST1	FB5171-L/ST1	FB5182-L/ST1	FB5193-L/ST1	FB5115-L/ST1
	left medial or right lateral		FB5170-R/ST1	FB5171-R/ST1	FB5182-R/ST1	FB5193-R/ST1	FB5115-R/ST1
length from the middle of the bore hole [mm]			28	40	54	64	68
weight [g]			10	16	32	53	70
thermoformage stirrup	left or right	piece	FB5270-LR/ST2	FB5271-LR/ST2	FB5282-LR/ST2	FB5293-LR/ST2	FB5215-LR/ST3
length from the middle of the bore hole [mm]			49	54	61	67	73
weight [g]			14	19	34	53	66



rivet stirrup



lamination/prepreg stirrup



thermoformage stirrup

Straight

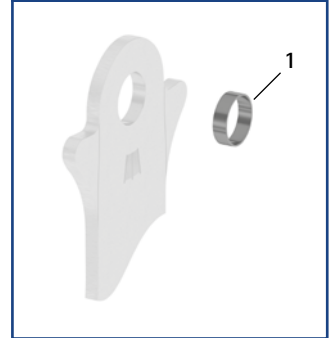
Description	Unit	Article Number and Measures for System Width				
		10mm	12mm	14mm	16mm	20mm
rivet stirrup	piece	FB5070-ST/3	FB5071-ST/3	FB5082-ST/4	FB5093-ST/4	FB5015-ST/5
length from the middle of the bore hole [mm]		105	113	125	145	165
weight [g]		33	43	69	112	143
lamination/prepreg stirrup	piece	FB5170-ST/1	FB5171-ST/1	FB5182-ST/1	FB5193-ST/1	FB5115-ST/1
length from the middle of the bore hole [mm]		29	41	55	65	69
weight [g]		10	16	32	53	70
thermoformage stirrup	piece	FB5270-ST/2	FB5271-ST/2	FB5282-ST/2	FB5293-ST/2	FB5215-ST/3
length from the middle of the bore hole [mm]		50	55	62	68	74
weight [g]		14	19	34	53	66

Spare Parts System Stirrup

Item	Article Number for System Width					Description
	10mm	12mm	14mm	16mm	20mm	
1	BP0706-L020	BR0807-L020	BR1009-L025	BR1110-L030	BR1211-L030	sliding bushing

➔ All system stirrups of the NEURO VARIO-CLASSIC 2 system ankle joint are delivered with an integrated sliding bushing.

Spare Parts System Stirrup



Information for Processing

Rivet Stirrup:

➔ This system stirrup is riveted to the foot piece.

Lamination/Prepreg Stirrup:

➔ This system stirrup is embedded into the laminate of the foot piece.

Thermoformage Stirrup:



➔ This system stirrup is embedded into thermoformable plastics, but can be embedded into laminates as well.



➔ The system stirrup is marked with lines in the neck area in order to read the joint angle.

NEURO VARIO



	Dorsiflexion Stop	Plantar Flexion Stop
Main Function	 <p>static</p>	 <p>static</p>
Adjustment Options	fileable, adjustable	fileable, adjustable
Other Functions	none by filing	none by filing

The NEURO VARIO system ankle joint can be used as a supporting joint for NEURO VARIO-SPRING.



NEURO VARIO-CLASSIC

NEURO VARIO-CLASSIC 2

NEURO VARIO

NEURO VARIO 2

NEURO VARIO-SPRING

NEURO VARIO-SPRING 2

NEURO VARIO-SWING

System Ankle Joints NEURO VARIO



10mm

12mm

14mm

16mm

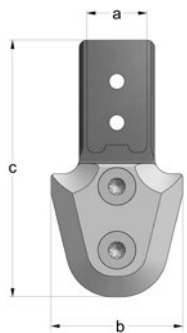
20mm

Joint Dimensions [mm]

Dimension	Description	System Width a				
		10mm	12mm	14mm	16mm	20mm
b	joint head width	20	24	28	35	38
c	joint height	40	50.5	63	68.5	74
	joint thickness	8	10	11	12	12.5

Joint Weights [g]

Material	Unit	System Width				
		10mm	12mm	14mm	16mm	20mm
steel	piece	16	34	55	75	101
titanium	piece	-	23	38	52	68



The NEURO VARIO system ankle joint is delivered with the following articles:

- securing pin, 2 pieces
- orthosis joint grease, 3g
- assembly/lamination dummy

- ➔ Please order system stirrups and system side bars/anchors separately.
- ➔ You will find system stirrups on catalogue page B30.7f.
- ➔ You will find system side bars/anchors on catalogue page I1ff.

B30.3



straight
fig. 1



bent inwards
fig. 2

Straight (Fig. 1)

Material	Leg	Unit	Article Number for System Width				
			10mm	12mm	14mm	16mm	20mm
steel	left or right	piece	SF2200-ST/LR	SF2201-ST/LR	SF2202-ST/LR	SF2203-ST/LR	SF2205-ST/LR
titanium	left or right	piece	-	SF2201-TI/LR	SF2202-TI/LR	SF2203-TI/LR	SF2205-TI/LR

Bent Inwards (Fig. 2)

Material	Leg	Unit	Article Number for System Width				
			10mm	12mm	14mm	16mm	20mm
steel	left or right	piece	SF2220-ST/LR	SF2221-ST/LR	SF2222-ST/LR	SF2223-ST/LR	SF2225-ST/LR
titanium	left or right	piece	-	SF2221-TI/LR	SF2222-TI/LR	SF2223-TI/LR	SF2225-TI/LR

NEURO VARIO-CLASSIC

NEURO VARIO-CLASSIC 2

NEURO VARIO

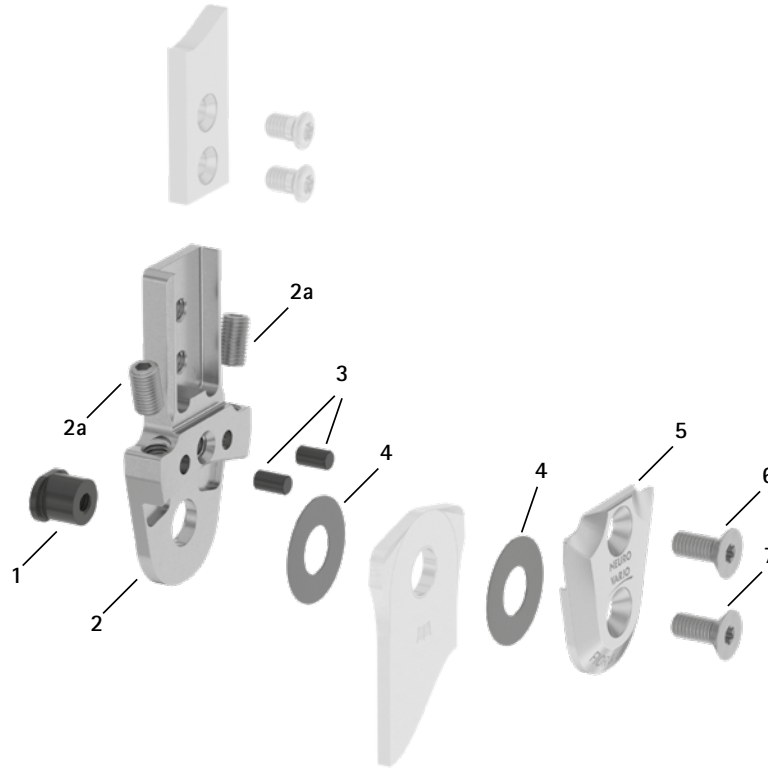
NEURO VARIO 2

NEURO VARIO-SPRING

NEURO VARIO-SPRING 2

NEURO VARIO-SWING

Spare Parts



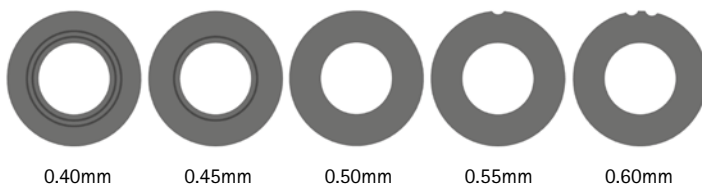
Spare Parts

Item	Article Number for System Width					Description
	10mm	12mm	14mm	16mm	20mm	
1	SB6034-L0490	SB7049-L0590	SB8559-L0670	SB9669-L0760	SB1069-L0810	bearing nut
2	SF0200-ST	SF0241-ST	SF0242-ST	SF0243-ST	SF0245-ST	upper part, straight, steel (with adjusting screws)
2	-	SF0241-TI	SF0242-TI	SF0243-TI	SF0245-TI	upper part, straight, titanium (with adjusting screws)
2	SF0220-ST	SF0281-ST	SF0282-ST	SF0283-ST	SF0285-ST	upper part, bent, steel (with adjusting screws)
2	-	SF0281-TI	SF0282-TI	SF0283-TI	SF0285-TI	upper part, bent, titanium (with adjusting screws)
2a	SC9604-L06ST	SC9604-L06ST	SC9605-L08ST	SC9606-L10ST	SC9606-L10ST	adjusting screw
3	GS4007	GS4007	GS4007	GS4007	GS4007	securing pin
4	GS1206-*	GS1407-*	GS1609-*	GS2210-*	GS2611-*	sliding washer*
5	SF0260-AL	SF0261-AL	SF0262-AL	SF0263-AL	SF0265-AL	cover plate
6	SC1403-L08	SC1404-L08	SC1405-L11	SC1405-L11	SC1405-L12	countersunk flat head screw with hexalobular socket
7	SC1403-L08	SC1404-L08	SC1405-L11	SC1405-L11	SC1406-L12	countersunk flat head screw with hexalobular socket (axle screw)

* Sliding Washers

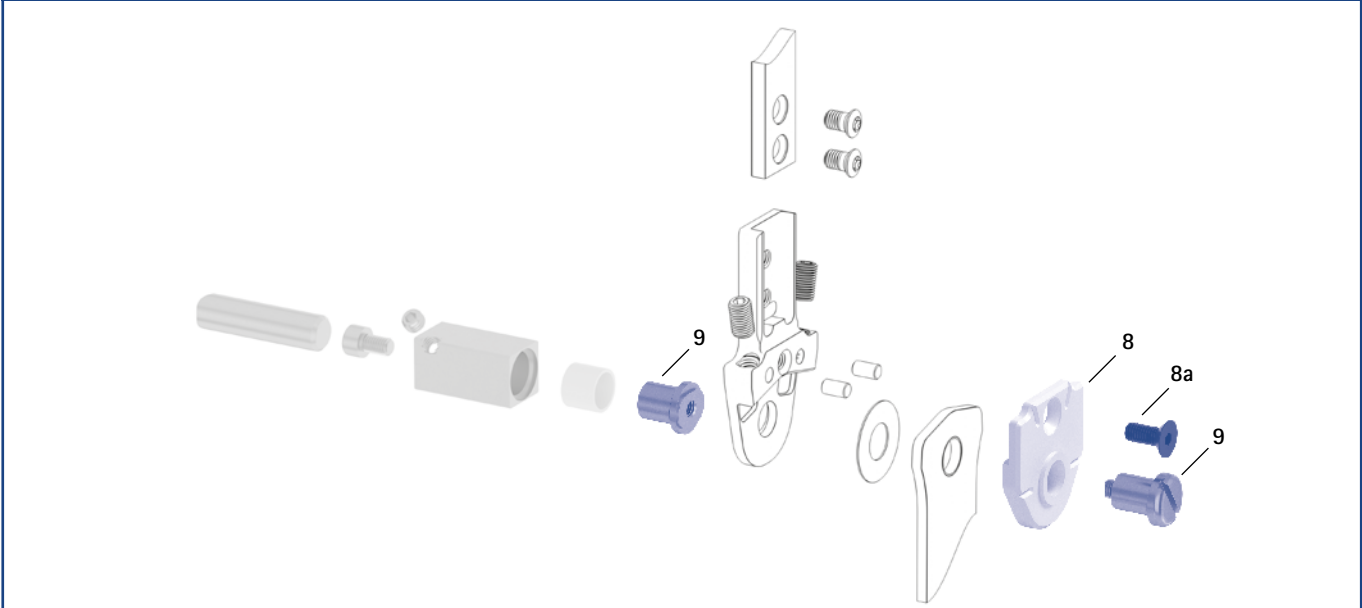
Article Number for System Width				
10mm	12mm	14mm	16mm	20mm
Ø = 12mm	Ø = 14mm	Ø = 16mm	Ø = 22mm	Ø = 26mm
GS1206-040	GS1407-040	GS1609-040	GS2210-040	GS2611-040
GS1206-045	GS1407-045	GS1609-045	GS2210-045	GS2611-045
GS1206-050	GS1407-050	GS1609-050	GS2210-050	GS2611-050
GS1206-055	GS1407-055	GS1609-055	GS2210-055	GS2611-055
GS1206-060	GS1407-060	GS1609-060	GS2210-060	GS2611-060

The last three digits of the article number stand for the thickness of the sliding washer, e.g. GS1407-040. The thickness of this sliding washer is 0.40mm. In total, the sliding washers are available in five different thicknesses. The thickness of a sliding washer is indicated by the markings. For example, a sliding washer with two notches is 0.40mm thick, whereas a sliding washer with one notch is 0.55mm thick.



- ➔ You will find system stirrups on catalogue page B30.7f.
- ➔ You will find the system side bars and system anchors on catalogue page I1ff.

Assembly/Lamination Dummies and Joint Retainers



Assembly/Lamination Dummies and Joint Retainers

Item	Article Number for System Width					Description	Unit
	10mm	12mm	14mm	16mm	20mm		
8	SF0920-LR	SF0921-LR	SF0922-1LR	SF0923-LR	SF0925-LR	assembly/lamination dummy, two parts (1 dummy with screw)	piece
8a	SC1053-L08	SC1054-L10	SC1055-L12	SC1055-L12	SC1055-L12	countersunk flat head screw with hexagon socket	piece
9	PE1010-01/LR	PE1011-01/LR	PE1012-LR	PE1013-LR	PE1025-LR	joint retainer	piece
	1/Y	2/Z	4/B	5/C	7/C	laser marking	-

- ➔ Assembly/lamination dummies are included in the scope of delivery of the system joints.
- ➔ You will find an overview of our tools on catalogue page J1ff.
- ➔ You will also find the joint retainers and the corresponding laser markings in the tool case on the catalogue pages J13 and J14.

NEURO VARIO-CLASSIC

NEURO VARIO-CLASSIC 2

NEURO VARIO

NEURO VARIO 2

NEURO VARIO-SPRING

NEURO VARIO-SPRING 2

NEURO VARIO-SWING

System Stirrups NEURO VARIO – Bent

NEURO VARIO-CLASSIC

NEURO VARIO-CLASSIC 2



rivet stirrup



lamination/prepreg stirrup



thermoformage stirrup



side view

NEURO VARIO

General Measures of the System Stirrups

Measure [mm]	System Width				
	10mm	12mm	14mm	16mm	20mm
thickness	2.0	2.0	2.5	3.0	3.0
neck width	16.0	19.4	23.2	26.6	30.8
bore hole diameter	6.0	7.0	8.5	9.6	10.5

NEURO VARIO 2

Bent

Description	Leg/Leg Side	Unit	Article Number and Measures for System Width				
			10mm	12mm	14mm	16mm	20mm
rivet stirrup	left or right	piece	FB2070-LR/ST3	FB2071-LR/ST3	FB2082-LR/ST4	FB2093-LR/ST4	FB2095-LR/ST5
length from the middle of the bore hole [mm]			104	112	124	144	164
weight [g]			33	43	70	111	141
lamination/prepreg stirrup	left lateral or right medial	piece	FB2170-L/ST1	FB2171-L/ST1	FB2182-L/ST1	FB2193-L/ST1	FB2195-L/ST1
	left medial or right lateral		FB2170-R/ST1	FB2171-R/ST1	FB2182-R/ST1	FB2193-R/ST1	FB2195-R/ST1
length from the middle of the bore hole [mm]			30	39	50	58	68
weight [g]			10	17	32	56	68
thermoformage stirrup	left or right	piece	FB2270-LR/ST2	FB2271-LR/ST2	FB2282-LR/ST2	FB2293-LR/ST3	FB2295-LR/ST3
length from the middle of the bore hole [mm]			49	54	61	67	73
weight [g]			14	20	34	53	65

NEURO VARIO-SPRING

NEURO VARIO-SPRING 2

NEURO VARIO-SWING



rivet stirrup



lamination/prepreg stirrup

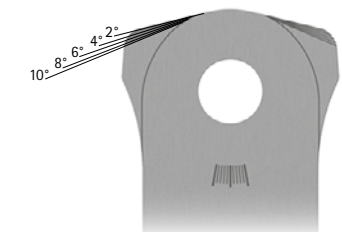
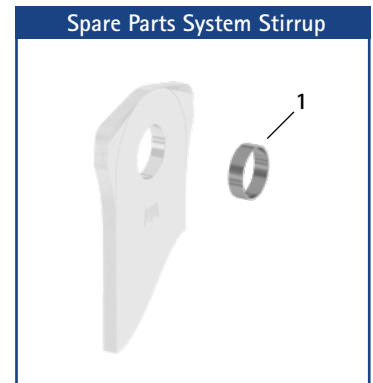


thermoformage stirrup

Straight						
Description	Unit	Article Number and Measures for System Width				
		10mm	12mm	14mm	16mm	20mm
rivet stirrup	piece	FB2070-ST/3	FB2071-ST/3	FB2082-ST/4	FB2093-ST/4	FB2095-ST/5
length from the middle of the bore hole [mm]		105	113	125	145	165
weight [g]		33	43	70	111	141
lamination/prepreg stirrup	piece	FB2170-ST/1	FB2171-ST/1	FB2182-ST/1	FB2193-ST/1	FB2195-ST/1
length from the middle of the bore hole [mm]		31	40	51	59	69
weight [g]		10	17	32	56	68
thermoformage stirrup	piece	FB2270-ST/2	FB2271-ST/2	FB2282-ST/2	FB2293-ST/3	FB2295-ST/3
length from the middle of the bore hole [mm]		50	55	62	68	74
weight [g]		14	20	34	53	65

Spare Parts System Stirrup						
Item	Article Number for System Width					Description
	10mm	12mm	14mm	16mm	20mm	
1	BP0706-L020	BR0807-L020	BR1009-L025	BR1110-L030	BR1211-L030	sliding bushing

→ All system stirrups of the NEURO VARIO system ankle joint are delivered with an integrated sliding bushing.



- The system stirrup is marked with lines in the head area which serve as orientation for precisely filing the stirrup to the desired plantar and dorsiflexion stop.
- The system stirrup is marked with lines in the neck area in order to read the joint angle.

Information for Processing



Rivet Stirrup:
 → This system stirrup is riveted to the foot piece.

Lamination/Prepreg Stirrup:
 → This system stirrup is embedded into the laminate of the foot piece.

Thermoformage Stirrup:
 → This system stirrup is embedded into thermoformable plastics, but can be embedded into laminates as well.

NEURO VARIO 2



	Dorsiflexion Stop	Plantar Flexion Stop
Main Function	 static	 static
Adjustment Options	adjustable	adjustable

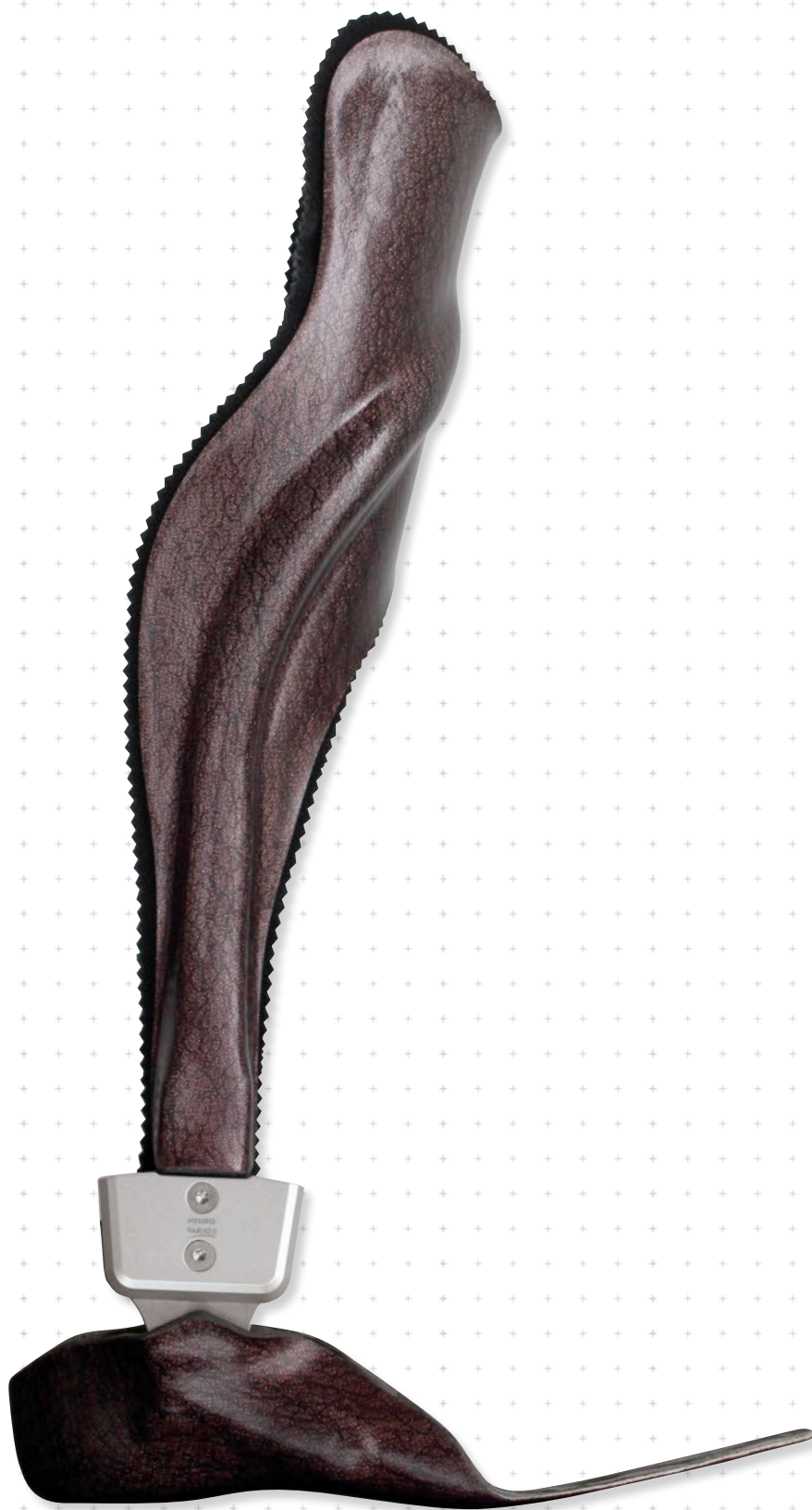
The NEURO VARIO 2 system ankle joint comes with integrated noise reduction.

The NEURO VARIO 2 system ankle joint can be converted into the NEURO CLASSIC system ankle joint free moving by optionally filing the system stirrup and by exchanging the the functional unit.

The NEURO CLASSIC with plug + go modularity and the NEURO VARIO-CLASSIC 2 can be used as supporting joints for the NEURO VARIO 2 system ankle joint.

plug+go MODULARITY

The NEURO VARIO 2 system ankle joint can be converted into the NEURO CLASSIC with plug + go modularity, NEURO VARIO-CLASSIC 2, NEURO VARIO-SPRING 2, NEURO VARIO-SWING, NEURO SWING, NEURO SWING-CLASSIC, NEURO SWING 2 and NEURO HiSWING system ankle joints by exchanging the functional unit and in the case of the NEURO HiSWING by mounting the spirit level as well.



NEURO VARIO-CLASSIC

NEURO VARIO-CLASSIC 2

NEURO VARIO

NEURO VARIO 2

NEURO VARIO-SPRING

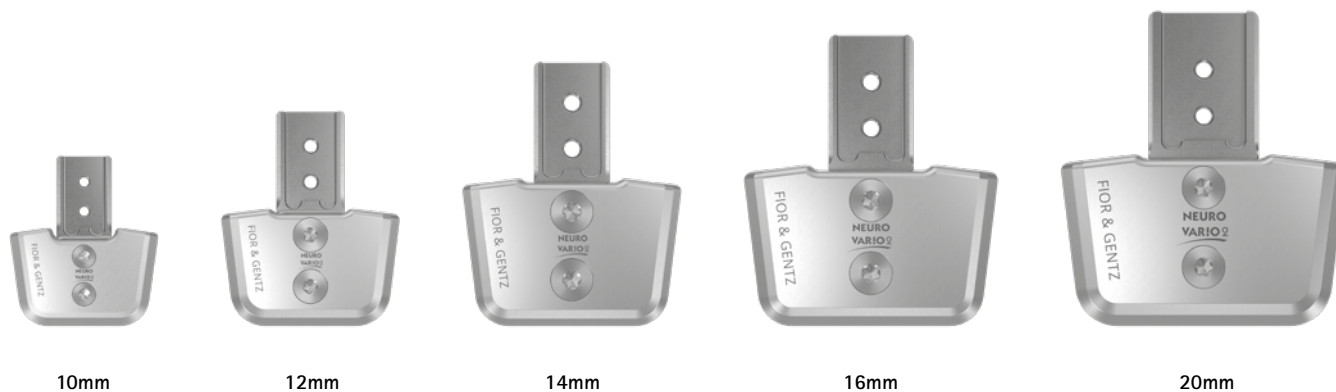
NEURO VARIO-SPRING 2

NEURO VARIO-SWING

System Ankle Joints NEURO VARIO 2

NEURO VARIO-CLASSIC

NEURO VARIO-CLASSIC 2



10mm

12mm

14mm

16mm

20mm

NEURO VARIO

Joint Dimensions [mm]

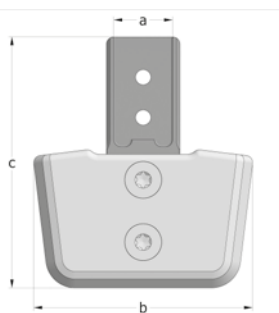
Dimension	Description	System Width a				
		10mm	12mm	14mm	16mm	20mm
b	joint head width	35	42	52	59	67
c	joint height	40	50	63	68.5	74
	joint thickness	10	11	13	15	16.5

NEURO VARIO 2

Joint Weights [g]

Material	Unit	System Width				
		10mm	12mm	14mm	16mm	20mm
steel	piece	27	48	82	119	158
titanium	piece	-	39	68	100	129

NEURO VARIO-SPRING



NEURO VARIO-SPRING 2

The NEURO VARIO 2 system ankle joint is delivered with the following articles:

- cover plate pressing aid
- orthosis joint grease, 3g
- assembly/lamination dummy

NEURO VARIO-SWING

- ➔ Please order shaping dummy, system stirrups and system side bars/anchors separately.
- ➔ You will find the shaping dummy on catalogue page B40.7.
- ➔ You will find system stirrups plug + go modularity on catalogue page B40.8f.
- ➔ You will find system side bars/anchors on catalogue page I1ff.

B40.3



straight
fig. 1



bent inwards
fig. 2



bent outwards
fig. 3

Straight (Fig. 1)

Material	Leg	Unit	Article Number for System Width				
			10mm	12mm	14mm	16mm	20mm
steel	left or right	piece	SF6200-ST/LR	SF6201-ST/LR	SF6202-ST/LR	SF6203-ST/LR	SF6205-ST/LR
titanium	left or right	piece	-	SF6201-TI/LR	SF6202-TI/LR	SF6203-TI/LR	SF6205-TI/LR

Bent Inwards (Fig. 2)

Material	Leg	Unit	Article Number for System Width				
			10mm	12mm	14mm	16mm	20mm
steel	left or right	piece	SF6220-ST/LR	SF6221-ST/LR	SF6222-ST/LR	SF6223-ST/LR	SF6225-ST/LR
titanium	left or right	piece	-	SF6221-TI/LR	SF6222-TI/LR	SF6223-TI/LR	SF6225-TI/LR

Bent Outwards (Fig. 3)

Material	Leg	Unit	Article Number for System Width				
			10mm	12mm	14mm	16mm	20mm
steel	left or right	piece	SF6240-ST/LR	SF6241-ST/LR	SF6242-ST/LR	SF6243-ST/LR	SF6245-ST/LR
titanium	left or right	piece	-	SF6241-TI/LR	SF6242-TI/LR	SF6243-TI/LR	SF6245-TI/LR

NEURO VARIO-CLASSIC

NEURO VARIO-CLASSIC 2

NEURO VARIO

NEURO VARIO 2

NEURO VARIO-SPRING

NEURO VARIO-SPRING 2

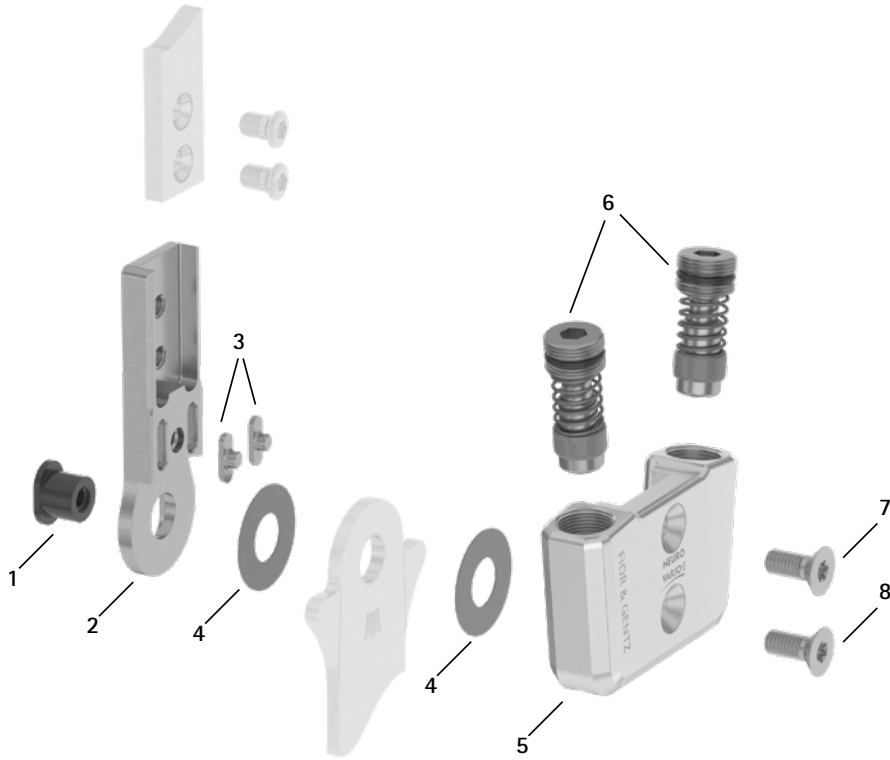
NEURO VARIO-SWING

NEURO VARIO-CLASSIC

NEURO VARIO-CLASSIC 2

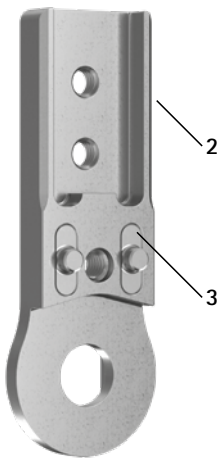
NEURO VARIO

Spare Parts



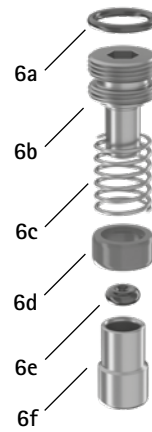
NEURO VARIO 2

Upper Part with Feather Keys, Preassembled (2-3)



NEURO VARIO-SPRING

Spare Parts Screw Unit (6)



NEURO VARIO-SPRING 2

NEURO VARIO-SWING

Spare Parts						
Item	Article Number for System Width					Description
	10mm	12mm	14mm	16mm	20mm	
1	SB6039-L0580*	SB7049-L0590*	SB8559-L0630*	SB9669-L0760*	SB1069-L0960*	bearing nut*
2-3	SF0310-P/ST	SF0311-P/ST	SF0312-P/ST	SF0313-P/ST	SF0315-P/ST	upper part with feather keys, straight, steel
2-3	-	SF0311-P/TI	SF0312-P/TI	SF0313-P/TI	SF0315-P/TI	upper part with feather keys, straight, titanium
2-3	SF0330-P/ST	SF0331-P/ST	SF0332-P/ST	SF0333-P/ST	SF0335-P/ST	upper part with feather keys, bent inwards, steel
2-3	-	SF0331-P/TI	SF0332-P/TI	SF0333-P/TI	SF0335-P/TI	upper part with feather keys, bent inwards, titanium
2-3	SF0330-8P/ST	SF0331-8P/ST	SF0332-8P/ST	SF0333-8P/ST	SF0335-8P/ST	upper part with feather keys, bent outwards, steel
2-3	-	SF0331-8P/TI	SF0332-8P/TI	SF0333-8P/TI	SF0335-8P/TI	upper part with feather keys, bent outwards, titanium
3	SF0390-01	SF0391-01	SF0392-02	SF0393-02	SF0395-02	feather key with pin
4	GS1206-**	GS1407-**	GS2009-**	GS2210-**	GS2611-**	sliding washer**
5	SF0660-AL	SF0661-AL	SF0662-AL	SF0663-AL	SF0665-AL	cover plate
6	SC9607-L04	SC9608-L06	SC9611-L08	SC9612-L08	SC9612-L08	screw unit
6a	VE3771-04/10	VE3771-050/10	VE3771-08/15	VE3771-09/15	VE3771-09/15	O-ring for securing the alignment screw
6b	SC9607-L04/S	SC9608-L06/S	SC9611-L08/S	SC9612-L08/S	SC9612-L08/S	alignment screw
6c	FE1615-01	FE1611-01	FE1916-01	FE1027-01	FE1027-01	coil spring
6d	GS0604-350	GS0705-525	GS1007-350	GS1108-500	GS1108-500	sliding bushing
6e	PN0003-L02	PN0004-L02	-	-	-	stop damper
6e	-	-	VE3771-010/20	VE3771-012/26	VE3771-012/26	O-ring damper
6f	SH0490-01	SH0491-01	SH0492-01	SH0493-01	SH0493-01	plunger
7	SC1403-L08	SC1404-L10	SC1405-L11	SC1405-L12	SC1405-L14	countersunk flat head screw with hexalobular socket
8	SC1403-L08	SC1404-L10	SC1405-L11	SC1405-L12	SC1406-L14	countersunk flat head screw with hexalobular socket (axle screw)
5-8	SF6970-AL*	SF6971-AL*	SF6972-AL*	SF6973-AL*	SF6975-AL*	functional unit plug + go modularity*

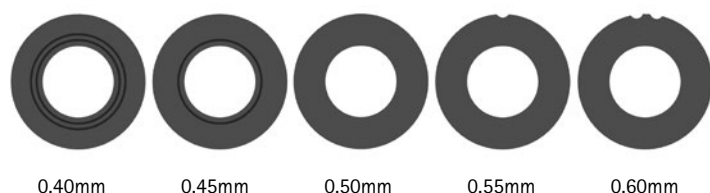
* For a conversion from the NEURO CLASSIC with plug + go modularity, this longer bearing nut is required in addition to the functional unit (see item 1).

Feather Key Set							
Item	Article Number for System Width					Description	Unit
	10mm	12mm	14mm	16mm	20mm		
w/o fig.	SF0390	SF0391	SF0392	SF0393	SF0395	feather key set	set

→ The feather key set contains two feather keys with pin and the outer assembly/lamination dummy to make pressing easier. You can order the set if the feather keys have to be exchanged.

** Sliding Washers					
Article Number for System Width					
10mm	12mm	14mm	16mm	20mm	
Ø = 12mm	Ø = 14mm	Ø = 20mm	Ø = 22mm	Ø = 26mm	
GS1206-040	GS1407-040	GS2009-040	GS2210-040	GS2611-040	
GS1206-045	GS1407-045	GS2009-045	GS2210-045	GS2611-045	
GS1206-050	GS1407-050	GS2009-050	GS2210-050	GS2611-050	
GS1206-055	GS1407-055	GS2009-055	GS2210-055	GS2611-055	
GS1206-060	GS1407-060	GS2009-060	GS2210-060	GS2611-060	

The last three digits of the article number stand for the thickness of the sliding washer, e.g. GS1407-040. The thickness of this sliding washer is 0.40mm. In total, the sliding washers are available in five different thicknesses. The thickness of a sliding washer is indicated by the markings. For example, a sliding washer with two notches is 0.40mm thick, whereas a sliding washer with one notch is 0.55mm thick.

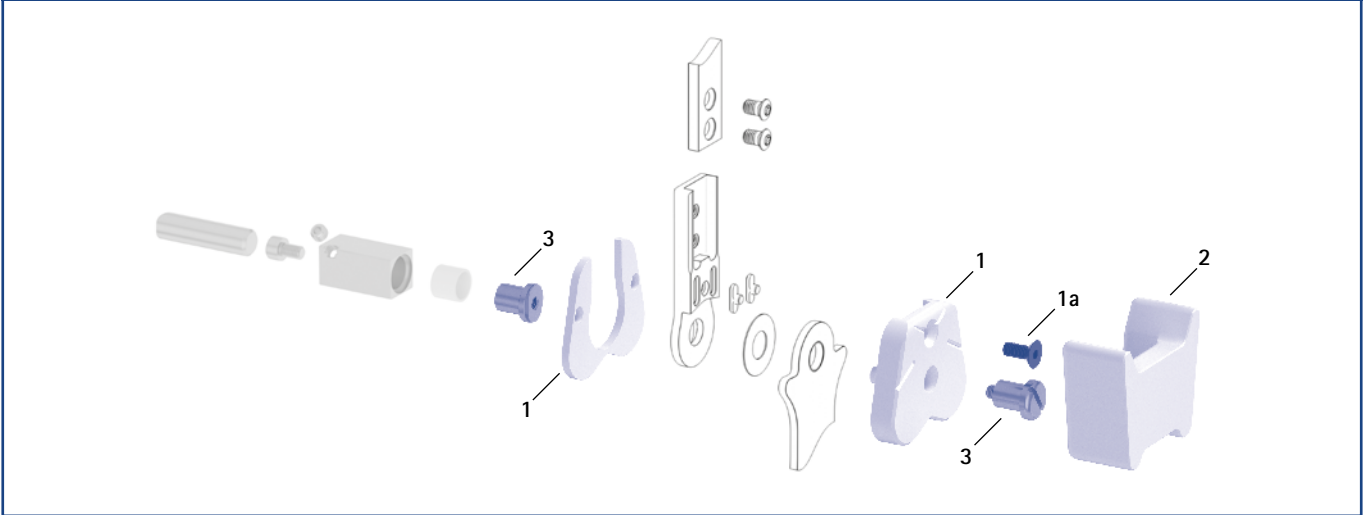


- You will find system stirrups plug + go modularity on catalogue page B40.8f.
- You will find the system side bars and system anchors on catalogue page I1ff.

NEURO VARIO-CLASSIC

NEURO VARIO-CLASSIC 2

Assembly/Lamination Dummies, Shaping Dummy and Joint Retainers (1, 2, 3)



NEURO VARIO

Assembly/Lamination Dummies, Shaping Dummy and Joint Retainers

Item	Article Number for System Width					Description	Unit
	10mm	12mm	14mm	16mm	20mm		
1	SF0950-LR1	SF0951-LR1	SF0952-LR1	SF0953-LR1	SF0955-5LR1	assembly/lamination dummy, two parts (2 dummies with screw)	set
1a	SC1053-L08	SC1054-L10	SC1055-L12	SC1055-L12	SC1055-L12	countersunk flat head screw with hexagon socket	piece
2	SF0950-LR2	SF0951-LR2	SF0952-LR2	SF0953-LR2	SF0955-5LR2	shaping dummy	piece
3	PE1010-01/LR	PE1011-01/LR	PE1012-LR	PE1013-LR	PE1025-LR	joint retainer	piece
	1/Y	2/Z	4/B	5/C	7/C	laser marking	-

- ➔ Assembly/lamination dummies are included in the scope of delivery of the system joints.
- ➔ You will find an overview of our tools on catalogue page J1ff.
- ➔ You will also find the joint retainers and the corresponding laser markings in the tool case on the catalogue pages J13 and J14.

NEURO VARIO 2

Cover Plate Pressing Aid

Item	Article Number for System Width					Description	Unit
	10mm	12mm	14mm	16mm	20mm		
4	WE5000-SF	WE5001-SF	WE5002-SF	WE5002-SF	WE5002-SF	cover plate pressing aid (pressing screw and washer)	set

- ➔ The cover plate pressing aid is included in the scope of delivery of the system joints.

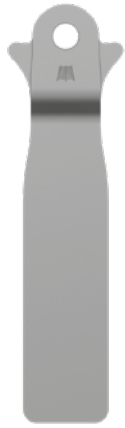
Cover Plate Pressing Aid (4)



NEURO VARIO-SPRING

NEURO VARIO-SPRING 2

NEURO VARIO-SWING



rivet stirrup



lamination/prepreg stirrup



thermoformage stirrup



side view

General Measures of the System Stirrups plug + go Modularity

Measure [mm]	System Width				
	10mm	12mm	14mm	16mm	20mm
thickness	2.0	2.0	2.5	3.0	3.0
neck width	16.0	19.4	23.2	26.6	30.8
bore hole diameter	6.0	7.0	8.5	9.6	10.5

Bent

Description	Leg/Leg Side	Unit	Article Number and Measures for System Width				
			10mm	12mm	14mm	16mm	20mm
rivet stirrup	left or right	piece	FB5070-LR/ST3	FB5071-LR/ST3	FB5082-LR/ST4	FB5093-LR/ST4	FB5015-LR/ST5
length from the middle of the bore hole [mm]			104	112	124	144	164
weight [g]			33	43	69	112	143
lamination/prepreg stirrup	left lateral or right medial	piece	FB5170-L/ST1	FB5171-L/ST1	FB5182-L/ST1	FB5193-L/ST1	FB5115-L/ST1
	left medial or right lateral		FB5170-R/ST1	FB5171-R/ST1	FB5182-R/ST1	FB5193-R/ST1	FB5115-R/ST1
length from the middle of the bore hole [mm]			28	40	54	64	68
weight [g]			10	16	32	53	70
thermoformage stirrup	left or right	piece	FB5270-LR/ST2	FB5271-LR/ST2	FB5282-LR/ST2	FB5293-LR/ST2	FB5215-LR/ST3
length from the middle of the bore hole [mm]			49	54	61	67	73
weight [g]			14	19	34	53	66

NEURO VARIO-CLASSIC

NEURO VARIO-CLASSIC 2

NEURO VARIO

NEURO VARIO 2

NEURO VARIO-SPRING

NEURO VARIO-SPRING 2

NEURO VARIO-SWING

NEURO VARIO-CLASSIC

NEURO VARIO-CLASSIC 2



rivet stirrup



lamination/prepreg stirrup



thermoformage stirrup

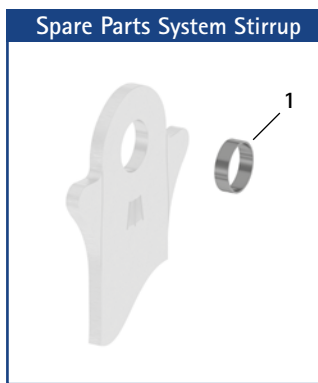
NEURO VARIO

Straight						
Description	Unit	Article Number and Measures for System Width				
		10mm	12mm	14mm	16mm	20mm
rivet stirrup	piece	FB5070-ST/3	FB5071-ST/3	FB5082-ST/4	FB5093-ST/4	FB5015-ST/5
length from the middle of the bore hole [mm]		105	113	125	145	165
weight [g]		33	43	69	112	143
lamination/prepreg stirrup	piece	FB5170-ST/1	FB5171-ST/1	FB5182-ST/1	FB5193-ST/1	FB5115-ST/1
length from the middle of the bore hole [mm]		29	41	55	65	69
weight [g]		10	16	32	53	70
thermoformage stirrup	piece	FB5270-ST/2	FB5271-ST/2	FB5282-ST/2	FB5293-ST/2	FB5215-ST/3
length from the middle of the bore hole [mm]		50	55	62	68	74
weight [g]		14	19	34	53	66

NEURO VARIO 2

Spare Parts System Stirrup						
Item	Article Number for System Width					Description
	10mm	12mm	14mm	16mm	20mm	
1	BP0706-L020	BR0807-L020	BR1009-L025	BR1110-L030	BR1211-L030	sliding bushing

➔ All system stirrups of the NEURO VARIO 2 system ankle joint are delivered with an integrated sliding bushing.



NEURO VARIO-SPRING

Information for Processing

Rivet Stirrup:
➔ This system stirrup is riveted to the foot piece.

Lamination/Prepreg Stirrup:
➔ This system stirrup is embedded into the laminate of the foot piece.

Thermoformage Stirrup:
➔ This system stirrup is embedded into thermoformable plastics, but can be embedded into laminates as well.

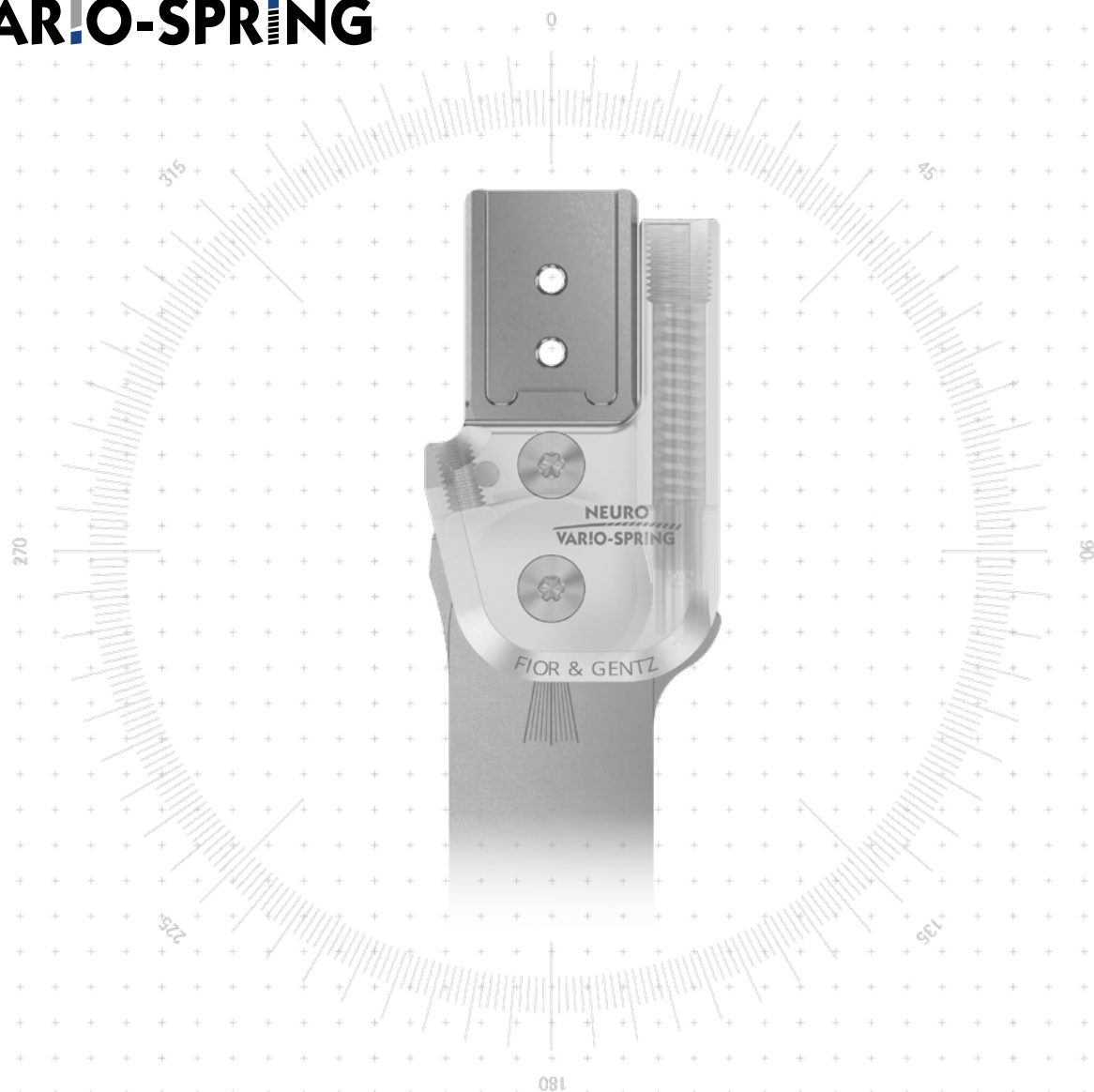
NEURO VARIO-SPRING 2





➔ The system stirrup is marked with lines in the neck area in order to read the joint angle.

NEURO VARIO-SWING

NEURO VARIO-SPRING



	Dorsiflexion Stop	Plantar Flexion Stop
Main Function	 <p>static</p>	 <p>none (with dorsiflexion assist)</p>
Adjustment Options	fileable, adjustable	
Other Functions	none by filing	

The NEURO VARIO-SPRING system ankle joint can be converted into a NEURO VARIO-CLASSIC system ankle joint by exchanging the functional unit for a NEURO VARIO-CLASSIC cover plate.

The NEURO VARIO and the NEURO VARIO-CLASSIC system ankle joint can be used as supporting joints for the NEURO VARIO-SPRING system ankle joint.



NEURO VARIO-CLASSIC

NEURO VARIO-CLASSIC 2

NEURO VARIO

NEURO VARIO 2

NEURO VARIO-SPRING

NEURO VARIO-SPRING 2

NEURO VARIO-SWING

System Ankle Joints NEURO VARIO-SPRING



14mm



16mm



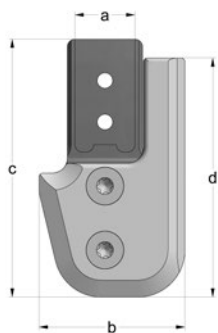
20mm

Joint Dimensions [mm]

Dimension	Description	System Width a		
		14mm	16mm	20mm
b	joint head width	34	39	44
c	joint height	62.5	68.5	74
d	cover plate height	57	63.5	69.5
	joint thickness	11	11.5	12.5

Joint Weights [g]

Material	Unit	System Width		
		14mm	16mm	20mm
steel	piece	64	84	117
titanium	piece	48	62	86



The NEURO VARIO-SPRING system ankle joint is delivered with the following articles:

securing pin

orthosis joint grease, 3g

assembly/lamination dummy

➔ Please order system stirrups and system side bars/anchors separately.

➔ You will find system stirrups on catalogue page B50.7f.

➔ You will find system side bars/anchors on catalogue page I1ff.

B50.3



straight
fig. 1



bent inwards
fig. 2



bent outwards
fig. 3

Straight (Fig. 1)

Material	Leg Side	Unit	Article Number for System Width		
			14mm	16mm	20mm
steel	left lateral or right medial	piece	SF4202-L/ST	SF4203-L/ST	SF4205-L/ST
	left medial or right lateral	piece	SF4202-R/ST	SF4203-R/ST	SF4205-R/ST
titanium	left lateral or right medial	piece	SF4202-L/TI	SF4203-L/TI	SF4205-L/TI
	left medial or right lateral	piece	SF4202-R/TI	SF4203-R/TI	SF4205-R/TI

Bent Inwards (Fig. 2)

Material	Leg Side	Unit	Article Number for System Width		
			14mm	16mm	20mm
steel	left lateral or right medial	piece	SF4222-L/ST	SF4223-L/ST	SF4225-L/ST
	left medial or right lateral	piece	SF4222-R/ST	SF4223-R/ST	SF4225-R/ST
titanium	left lateral or right medial	piece	SF4222-L/TI	SF4223-L/TI	SF4225-L/TI
	left medial or right lateral	piece	SF4222-R/TI	SF4223-R/TI	SF4225-R/TI

Bent Outwards (Fig. 3)

Material	Leg Side	Unit	Article Number for System Width		
			14mm	16mm	20mm
steel	left lateral or right medial	piece	SF4242-L/ST	SF4243-L/ST	SF4245-L/ST
	left medial or right lateral	piece	SF4242-R/ST	SF4243-R/ST	SF4245-R/ST
titanium	left lateral or right medial	piece	SF4242-L/TI	SF4243-L/TI	SF4245-L/TI
	left medial or right lateral	piece	SF4242-R/TI	SF4243-R/TI	SF4245-R/TI

NEURO VARIO-CLASSIC

NEURO VARIO-CLASSIC 2

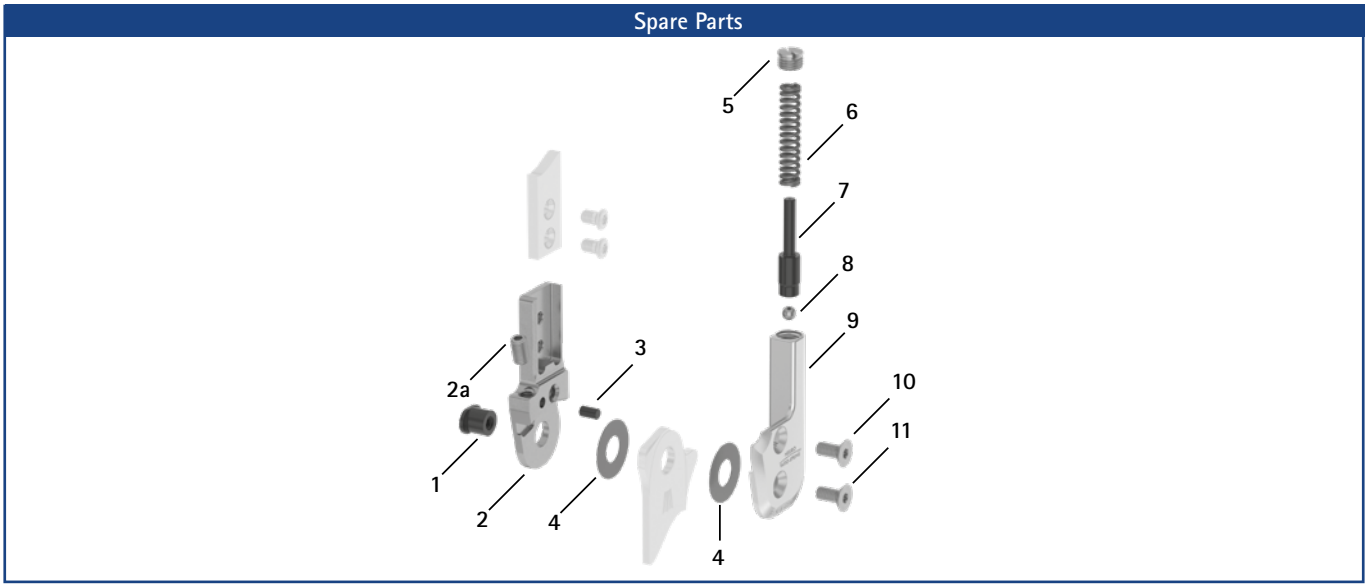
NEURO VARIO

NEURO VARIO 2

NEURO VARIO-SPRING

NEURO VARIO-SPRING 2

NEURO VARIO-SWING

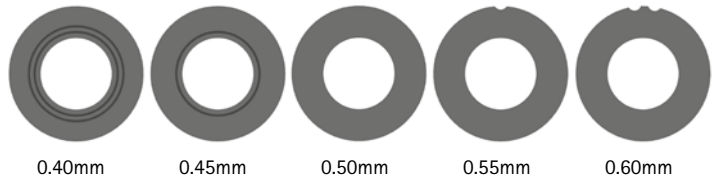


Spare Parts				
Item	Article Number for System Width			Description
	14mm	16mm	20mm	
1	SB8559-L0620	SB9669-L0760	SB1069-L0810	bearing nut
2	SF0412-L/ST	SF0413-L/ST	SF0415-L/ST	upper part, left lateral or right medial, straight, steel (with adjusting screw)
2	SF0412-R/ST	SF0413-R/ST	SF0415-R/ST	upper part, left medial or right lateral, straight, steel (with adjusting screw)
2	SF0412-L/TI	SF0413-L/TI	SF0415-L/TI	upper part, left lateral or right medial, straight, titanium (with adjusting screw)
2	SF0412-R/TI	SF0413-R/TI	SF0415-R/TI	upper part, left medial or right lateral, straight, titanium (with adjusting screw)
2	SF0432-L/ST	SF0433-L/ST	SF0435-L/ST	upper part, left lateral or right medial, bent inwards, steel (with adjusting screw)
2	SF0432-R/ST	SF0433-R/ST	SF0435-R/ST	upper part, left medial or right lateral, bent inwards, steel (with adjusting screw)
2	SF0432-L/TI	SF0433-L/TI	SF0435-L/TI	upper part, left lateral or right medial, bent inwards, titanium (with adjusting screw)
2	SF0432-R/TI	SF0433-R/TI	SF0435-R/TI	upper part, left medial or right lateral, bent inwards, titanium (with adjusting screw)
2	SF0432-8L/ST	SF0433-8L/ST	SF0435-8L/ST	upper part, left lateral or right medial, bent outwards, steel (with adjusting screw)
2	SF0432-8R/ST	SF0433-8R/ST	SF0435-8R/ST	upper part, left medial or right lateral, bent outwards, steel (with adjusting screw)
2	SF0432-8L/TI	SF0433-8L/TI	SF0435-8L/TI	upper part, left lateral or right medial, bent outwards, titanium (with adjusting screw)
2	SF0432-8R/TI	SF0433-8R/TI	SF0435-8R/TI	upper part, left medial or right lateral, bent outwards, titanium (with adjusting screw)
2a	SC9605-L08ST	SC9606-L10ST	SC9606-L10ST	adjusting screw
3	GS4007	GS4007	GS4007	securing pin
4	GS2009-*	GS2210-*	GS2611-*	sliding washer*
5	SC2108-L04	SC2109-L05	SC2110-L05	pressure screw
6	FE1634-02	FE2836-02	FE2752-02	pressure spring, golden
7	SF0342-75	SF0343-72	SF0345-81	pin
8	KU1005-ST	KU1005-ST	KU1005-ST	ball
9	SF0462-L/AL	SF0463-L/AL	SF0465-L/AL	cover plate, left lateral or right medial
9	SF0462-R/AL	SF0463-R/AL	SF0465-R/AL	cover plate, left medial or right lateral
10	SC1405-L10	SC1405-L11	SC1405-L12	countersunk flat head screw with hexalobular socket
11	SC1405-L10	SC1405-L11	SC1406-L12	countersunk flat head screw with hexalobular socket (axle screw)
5-11	SF4972-L/AL	SF4973-L/AL	SF4975-L/AL	functional unit, left lateral or right medial
5-11	SF4972-R/AL	SF4973-R/AL	SF4975-R/AL	functional unit, left medial or right lateral

*** Sliding Washers**

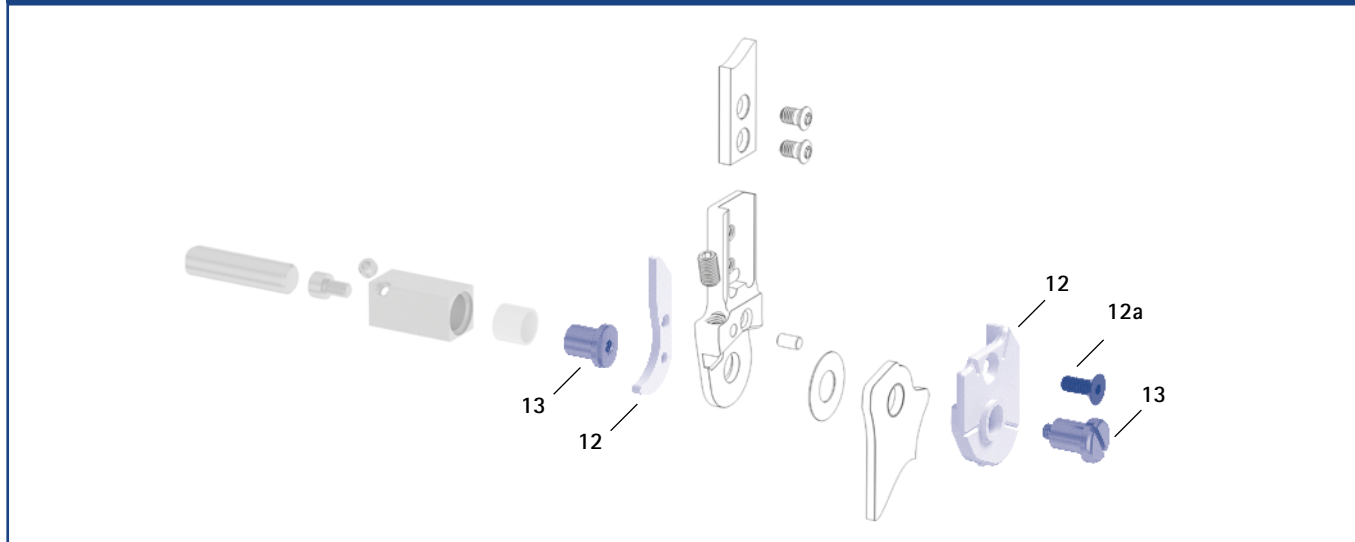
Article Number for System Width			
	14mm	16mm	20mm
	Ø = 20mm	Ø = 22mm	Ø = 26mm
	GS2009-040	GS2210-040	GS2611-040
	GS2009-045	GS2210-045	GS2611-045
	GS2009-050	GS2210-050	GS2611-050
	GS2009-055	GS2210-055	GS2611-055
	GS2009-060	GS2210-060	GS2611-060

The last three digits of the article number stand for the thickness of the sliding washer, e.g. GS2009-040. The thickness of this sliding washer is 0.40mm. In total, the sliding washers are available in five different thicknesses. The thickness of a sliding washer is indicated by the markings. For example, a sliding washer with two notches is 0.40mm thick, whereas a sliding washer with one notch is 0.55mm thick.



- ➔ You will find the system stirrups on catalogue page B50.7f.
- ➔ You will find the system side bars and system anchors on catalogue page I1ff.

Assembly/Lamination Dummies and Joint Retainers



Assembly/Lamination Dummies and Joint Retainers

Item	Article Number for System Width			Description	Unit
	14mm	16mm	20mm		
12	SF0942-L	SF0943-L	SF0945-L	assembly/lamination dummy, left lateral or right medial, two parts (2 dummies with screw)	set
12	SF0942-R	SF0943-R	SF0945-R	assembly/lamination dummy, left lateral or right medial, two parts (2 dummies with screw)	set
12a	SC1055-L12	SC1055-L12	SC1055-L12	countersunk flat head screw with hexagon socket	piece
13	PE1012-LR	PE1013-LR	PE1025-LR	joint retainer	piece
	4/B	5/C	7/C	laser marking	-

- ➔ Assembly/lamination dummies are included in the scope of delivery of the system joints.
- ➔ You will find an overview of our tools on catalogue page J1ff.
- ➔ You will also find the joint retainers and the corresponding laser markings in the tool case on the catalogue pages J13 and J14.

NEURO VARIO-CLASSIC

NEURO VARIO-CLASSIC 2

NEURO VARIO

NEURO VARIO 2

NEURO VARIO-SPRING

NEURO VARIO-SPRING 2

NEURO VARIO-SWING

System Stirrups NEURO VARIO-SPRING – Bent

NEURO VARIO-CLASSIC

NEURO VARIO-CLASSIC 2



rivet stirrup



lamination/prepreg stirrup



thermoformage stirrup



side view

NEURO VARIO

General Measures of the System Stirrups

Measure [mm]	System Width		
	14mm	16mm	20mm
thickness	2.5	3.0	3.0
neck width	23.2	26.6	30.8
bore hole diameter	8.5	9.6	10.5

NEURO VARIO 2

Bent

Description	Leg Side	Unit	Article Number and Measures for System Width		
			14mm	16mm	20mm
rivet stirrup	left lateral or right medial	piece	FB4082-L/ST4	FB4093-L/ST4	FB4095-L/ST5
	left medial or right lateral		FB4082-R/ST4	FB4093-R/ST4	FB4095-R/ST5
length from the middle of the bore hole [mm]			124	144	164
weight [g]			67	106	134
lamination/prepreg stirrup	left lateral or right medial	piece	FB4182-L/ST1	FB4193-L/ST1	FB4195-L/ST1
	left medial or right lateral		FB4182-R/ST1	FB4193-R/ST1	FB4195-R/ST1
length from the middle of the bore hole [mm]			50	58	68
weight [g]			32	52	68
thermoformage stirrup	left lateral or right medial	piece	FB4282-L/ST2	FB4293-L/ST2	FB4295-L/ST3
	left medial or right lateral		FB4282-R/ST2	FB4293-R/ST2	FB4295-R/ST3
length from the middle of the bore hole [mm]			61	67	73
weight [g]			32	50	61

NEURO VARIO-SPRING

NEURO VARIO-SPRING 2

NEURO VARIO-SWING



rivet stirrup



lamination/prepreg stirrup



thermoformage stirrup



shoe caliper plate stirrup*

Straight

Description	Unit	Article Number and Measures for System Width		
		14mm	16mm	20mm
rivet stirrup	piece	FB4082-ST/4	FB4093-ST/4	FB4095-ST/5
length from the middle of the bore hole [mm]		125	145	165
weight [g]		67	106	134
lamination/prepreg stirrup	piece	FB4182-ST/1	FB4193-ST/1	FB4195-ST/1
length from the middle of the bore hole [mm]		51	59	69
weight [g]		32	52	68
thermoformage stirrup	piece	FB4282-ST/2	FB4293-ST/2	FB4295-ST/3
length from the middle of the bore hole [mm]		62	68	74
weight [g]		32	50	61
shoe caliper plate stirrup	piece	-	FB3553-ST/5	FB3555-ST/6
length from the middle of the bore hole [mm]		-	165	185
weight [g]		-	91	104
insertion width* [mm]		-	22	22

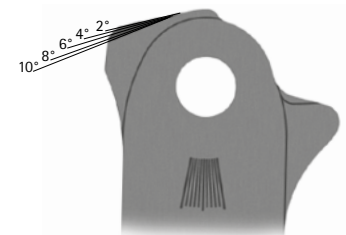
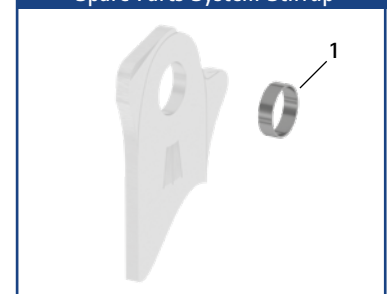
* The insertion width of the shoe caliper plate stirrup is equivalent to its insertion width.

Spare Parts System Stirrup

Item	Article Number for System Width			Description
	14mm	16mm	20mm	
1	BR1009-L025	BR1110-L030	BR1211-L030	sliding bushing

➔ All system stirrups of the NEURO VARIO-SPRING system ankle joint are delivered with an integrated sliding bushing.

Spare Parts System Stirrup



- ➔ The system stirrup is marked with lines in the head area which serve as orientation for precisely filling the stirrup to the desired dorsiflexion stop.
- ➔ Range of motion in plantar flexion up to a maximum of 30°.
- ➔ The system stirrup is marked with lines in the neck area in order to read the joint angle.

Information for Processing

Rivet Stirrup:

➔ This system stirrup is riveted to the foot piece.

Lamination/Prepreg Stirrup:

➔ This system stirrup is embedded into the laminate of the foot piece.

Thermoformage Stirrup:

➔ This system stirrup is embedded into thermoformable plastics, but can be embedded into laminates as well.

Shoe Caliper Plate Stirrup:

➔ This system stirrup is inserted into shoe plates.

NEURO VARIO-SPRING 2



	Dorsiflexion Stop	Plantar Flexion Stop
Main Function	 <p>static</p>	 <p>none (with dorsiflexion assist)</p>
Adjustment Options	adjustable	

The NEURO VARIO-SPRING 2 system ankle joint comes with integrated noise reduction.

The NEURO VARIO-SPRING 2 system ankle joint can be converted into the NEURO CLASSIC system ankle joint free moving by optionally filing the system stirrup and by exchanging the functional unit.

The NEURO CLASSIC with plug + go modularity and the NEURO VARIO-CLASSIC 2 can be used as supporting joints for the NEURO VARIO-SPRING 2 system ankle joint.



The NEURO VARIO-SPRING 2 system ankle joint can be converted into the NEURO CLASSIC with plug + go modularity, NEURO VARIO-CLASSIC 2, NEURO VARIO 2, NEURO VARIO-SWING, NEURO SWING, NEURO SWING-CLASSIC, NEURO SWING 2 and NEURO HiSWING system ankle joints by exchanging the functional unit and in the case of the NEURO HiSWING by mounting the spirit level as well.



NEURO VARIO-CLASSIC

NEURO VARIO-CLASSIC 2

NEURO VARIO

NEURO VARIO 2

NEURO VARIO-SPRING

NEURO VARIO-SPRING 2

NEURO VARIO-SWING

System Ankle Joints NEURO VARIO-SPRING 2

NEURO VARIO-CLASSIC

NEURO VARIO-CLASSIC 2



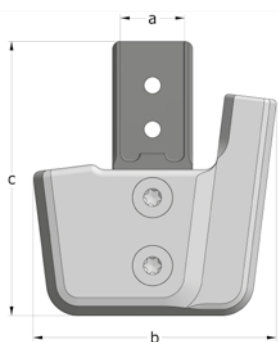
NEURO VARIO

Joint Dimensions [mm]		System Width a				
Dimension	Description	10mm	12mm	14mm	16mm	20mm
b	joint head width	35	42	52	61	70
c	joint height	30	38	45.5	55	67.5
	joint thickness	10	11	13	15	16.5

NEURO VARIO 2

Joint Weights [g]		System Width				
Material	Unit	10mm	12mm	14mm	16mm	20mm
steel	piece	27	47	80	95	164
titanium	piece	-	38	66	75	134

NEURO VARIO-SPRING



NEURO VARIO-SPRING 2

The NEURO VARIO-SPRING 2 system ankle joint is delivered with the following articles:

- cover plate pressing aid
- orthosis joint grease, 3g
- assembly/lamination dummy

NEURO VARIO-SWING

- ➔ Please order shaping dummy, system stirrups and system side bars/anchors separately.
- ➔ You will find the shaping dummy on catalogue page B60.7.
- ➔ You will find system stirrups plug + go modularity on catalogue page B60.8f.
- ➔ You will find system side bars/anchors on catalogue page I1ff.

B60.3



straight
fig. 1



bent inwards
fig. 2



bent outwards
fig. 3

Straight (Fig. 1)

Material	Leg Side	Unit	Article Number for System Width				
			10mm	12mm	14mm	16mm	20mm
steel	left lateral or right medial	piece	SF8200-L/ST	SF8201-L/ST	SF8202-L/ST	SF8203-L/ST	SF8205-L/ST
	left medial or right lateral	piece	SF8200-R/ST	SF8201-R/ST	SF8202-R/ST	SF8203-R/ST	SF8205-R/ST
titanium	left lateral or right medial	piece	-	SF8201-L/TI	SF8202-L/TI	SF8203-L/TI	SF8205-L/TI
	left medial or right lateral	piece	-	SF8201-R/TI	SF8202-R/TI	SF8203-R/TI	SF8205-R/TI

Bent Inwards (Fig. 2)

Material	Leg Side	Unit	Article Number for System Width				
			10mm	12mm	14mm	16mm	20mm
steel	left lateral or right medial	piece	SF8220-L/ST	SF8221-L/ST	SF8222-L/ST	SF8223-L/ST	SF8225-L/ST
	left medial or right lateral	piece	SF8220-R/ST	SF8221-R/ST	SF8222-R/ST	SF8223-R/ST	SF8225-R/ST
titanium	left lateral or right medial	piece	-	SF8221-L/TI	SF8222-L/TI	SF8223-L/TI	SF8225-L/TI
	left medial or right lateral	piece	-	SF8221-R/TI	SF8222-R/TI	SF8223-R/TI	SF8225-R/TI

Bent Outwards (Fig. 3)

Material	Leg Side	Unit	Article Number for System Width				
			10mm	12mm	14mm	16mm	20mm
steel	left lateral or right medial	piece	SF8240-L/ST	SF8241-L/ST	SF8242-L/ST	SF8243-L/ST	SF8245-L/ST
	left medial or right lateral	piece	SF8240-R/ST	SF8241-R/ST	SF8242-R/ST	SF8243-R/ST	SF8245-R/ST
titanium	left lateral or right medial	piece	-	SF8241-L/TI	SF8242-L/TI	SF8243-L/TI	SF8245-L/TI
	left medial or right lateral	piece	-	SF8241-R/TI	SF8242-R/TI	SF8243-R/TI	SF8245-R/TI

NEURO VARIO-CLASSIC

NEURO VARIO-CLASSIC 2

NEURO VARIO

NEURO VARIO 2

NEURO VARIO-SPRING

NEURO VARIO-SPRING 2

NEURO VARIO-SWING

NEURO VARIO-CLASSIC

NEURO VARIO-CLASSIC 2

NEURO VARIO

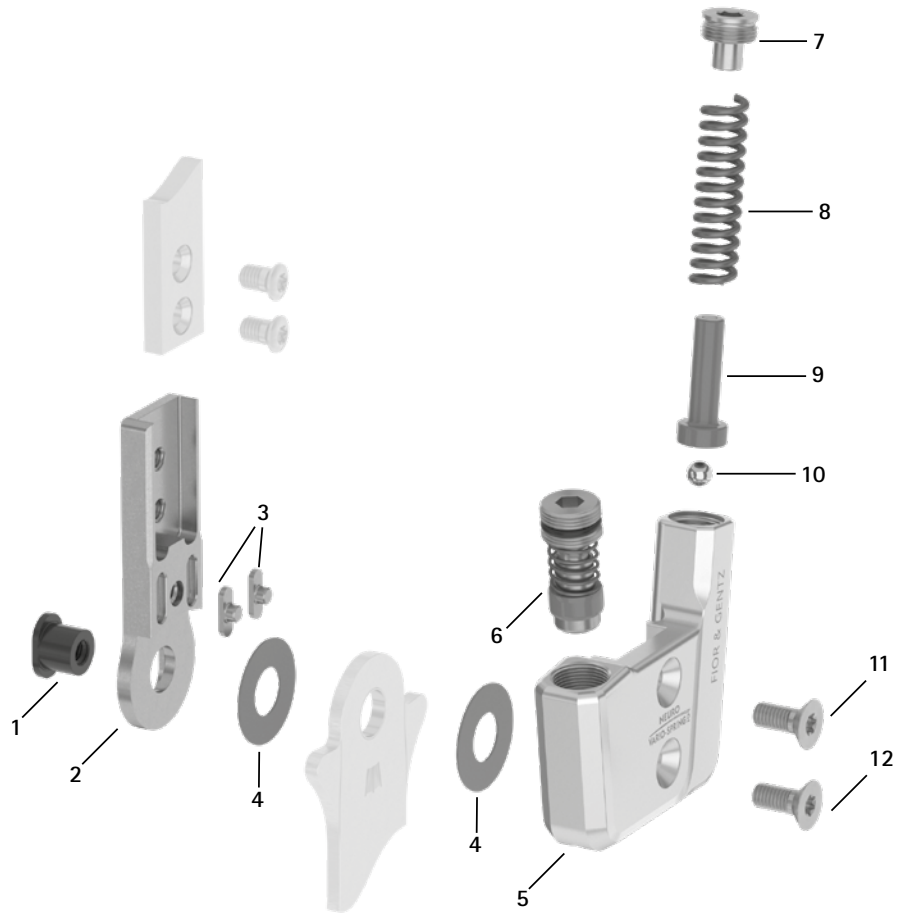
NEURO VARIO 2

NEURO VARIO-SPRING

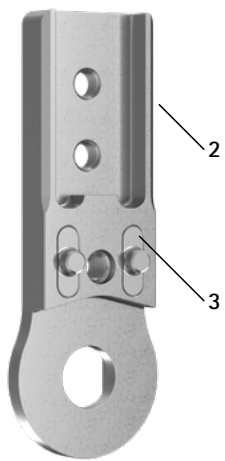
NEURO VARIO-SPRING 2

NEURO VARIO-SWING

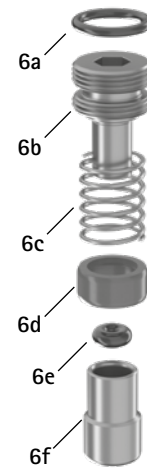
Spare Parts



Upper Part with Feather Keys, Preassembled (2-3)



Spare Parts Screw Unit (6)



Spare Parts						
Item	Article Number for System Width					Description
	10mm	12mm	14mm	16mm	20mm	
1	SB6039-L0580*	SB7049-L0590*	SB8559-L0630*	SB9669-L0760*	SB1069-L0960*	bearing nut*
2-3	SF0310-P/ST	SF0311-P/ST	SF0312-P/ST	SF0313-P/ST	SF0315-P/ST	upper part with feather keys, straight, steel
2-3	-	SF0311-P/TI	SF0312-P/TI	SF0313-P/TI	SF0315-P/TI	upper part with feather keys, straight, titanium
2-3	SF0330-P/ST	SF0331-P/ST	SF0332-P/ST	SF0333-P/ST	SF0335-P/ST	upper part with feather keys, bent inwards, steel
2-3	-	SF0331-P/TI	SF0332-P/TI	SF0333-P/TI	SF0335-P/TI	upper part with feather keys, bent inwards, titanium
2-3	SF0330-8P/ST	SF0331-8P/ST	SF0332-8P/ST	SF0333-8P/ST	SF0335-8P/ST	upper part with feather keys, bent outwards, steel
2-3	-	SF0331-8P/TI	SF0332-8P/TI	SF0333-8P/TI	SF0335-8P/TI	upper part with feather keys, bent outwards, titanium
3	SF0390-01	SF0391-01	SF0392-02	SF0393-02	SF0395-02	feather key with pin
4	GS1206-**	GS1407-**	GS2009-**	GS2210-**	GS2611-**	sliding washer**
5	SF0860-L/AL	SF0861-L/AL	SF0862-L/AL	SF0863-L/AL	SF0865-L/AL	cover plate, left lateral or right medial
5	SF0860-R/AL	SF0861-R/AL	SF0862-R/AL	SF0863-R/AL	SF0865-R/AL	cover plate, left medial or right lateral
6	SC9607-L04	SC9608-L06	SC9611-L08	SC9612-L08	SC9612-L08	screw unit
6a	VE3771-04/10	VE3771-050/10	VE3771-08/15	VE3771-09/15	VE3771-09/15	O-ring for securing the alignment screw
6b	SC9607-L04/S	SC9608-L06/S	SC9611-L08/S	SC9612-L08/S	SC9612-L08/S	alignment screw
6c	FE1615-01	FE1611-01	FE1916-01	FE1027-01	FE1027-01	coil spring
6d	GS0604-350	GS0705-525	GS1007-350	GS1108-500	GS1108-500	sliding bushing
6e	PN0003-L02	PN0004-L02	-	-	-	stop damper
6e	-	-	VE3771-010/20	VE3771-012/26	VE3771-012/26	O-ring damper
6f	SH0490-01	SH0491-01	SH0492-01	SH0493-01	SH0493-01	plunger
7	SC2007-L04	SC2008-L04	SC2009-L05	SC2011-L05	SC2011-L05	pressure screw
8	FE1622-01	FE1734-01	FE2736-01	FE2945-01	FE2966-02	coil spring, golden
9	SF0840-07	SF0841-07	SF0842-08	SF0843-10	SF0845-10	pin
10	KU1004-ST	KU1004-ST	KU1004-ST	KU1005-ST	KU1005-ST	ball
11	SC1403-L08	SC1404-L10	SC1405-L11	SC1405-L12	SC1405-L14	countersunk flat head screw with hexalobular socket
12	SC1403-L08	SC1404-L10	SC1405-L11	SC1405-L12	SC1406-L14	countersunk flat head screw with hexalobular socket (axle screw)
5-12	SF8970-L/AL*	SF8971-L/AL*	SF8972-L/AL*	SF8973-L/AL*	SF8975-L/AL*	functional unit plug + go modularity, left lateral or right medial*
5-12	SF8970-R/AL*	SF8971-R/AL*	SF8972-R/AL*	SF8973-R/AL*	SF8975-R/AL*	functional unit plug + go modularity, left medial or right lateral*

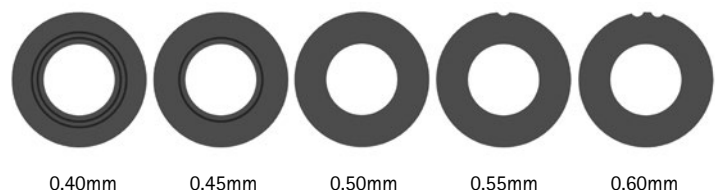
* For a conversion from the NEURO CLASSIC with plug + go modularity, this longer bearing nut is required in addition to the functional unit (see item 1).

Feather Key Set							
Item	Article Number for System Width					Description	Unit
	10mm	12mm	14mm	16mm	20mm		
w/o fig.	SF0390	SF0391	SF0392	SF0393	SF0395	feather key set	set

➔ The feather key set contains two feather keys with pin and the outer assembly/lamination dummy to make pressing easier. You can order the set if the feather keys have to be exchanged.

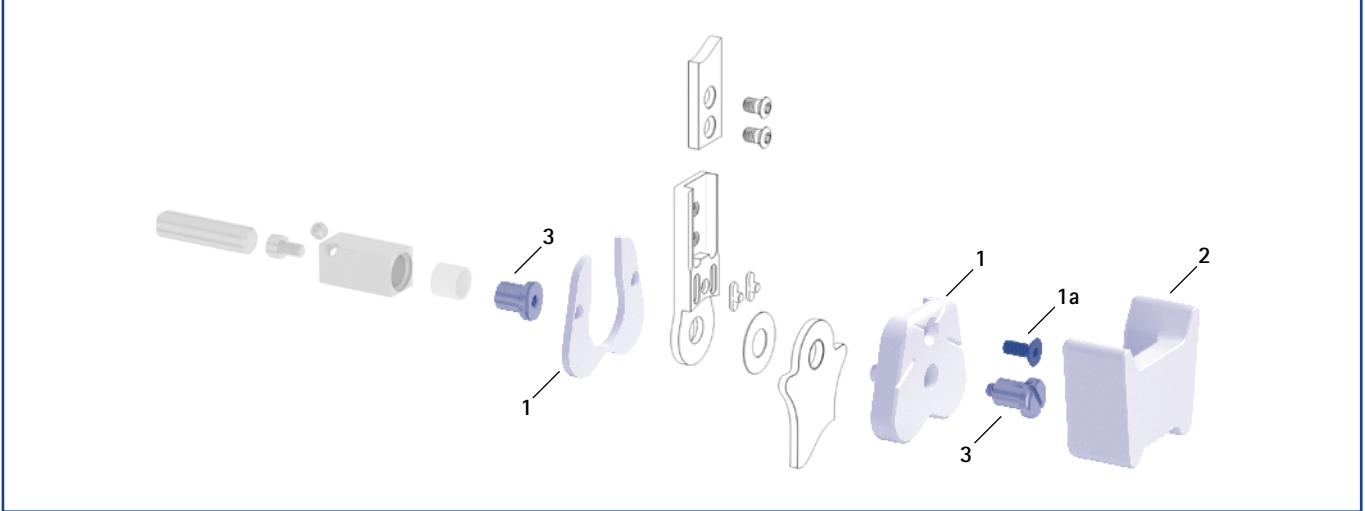
** Sliding Washers					
10mm	Article Number for System Width				
	12mm	14mm	16mm	20mm	
Ø = 12mm	Ø = 14mm	Ø = 20mm	Ø = 22mm	Ø = 26mm	
GS1206-040	GS1407-040	GS2009-040	GS2210-040	GS2611-040	
GS1206-045	GS1407-045	GS2009-045	GS2210-045	GS2611-045	
GS1206-050	GS1407-050	GS2009-050	GS2210-050	GS2611-050	
GS1206-055	GS1407-055	GS2009-055	GS2210-055	GS2611-055	
GS1206-060	GS1407-060	GS2009-060	GS2210-060	GS2611-060	

The last three digits of the article number stand for the thickness of the sliding washer, e.g. GS1407-040. The thickness of this sliding washer is 0.40mm. In total, the sliding washers are available in five different thicknesses. The thickness of a sliding washer is indicated by the markings. For example, a sliding washer with two notches is 0.40mm thick, whereas a sliding washer with one notch is 0.55mm thick.



- ➔ You will find system stirrups plug + go modularity on catalogue page B60.8f.
- ➔ You will find the system side bars and system anchors on catalogue page I1ff.

Assembly/Lamination Dummies, Shaping Dummy and Joint Retainers (1, 2, 3)



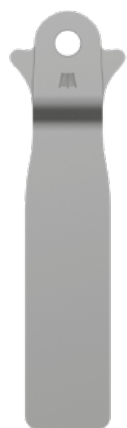
Assembly/Lamination Dummies, Shaping Dummy and Joint Retainers							
Item	Article Number for System Width					Description	Unit
	10mm	12mm	14mm	16mm	20mm		
1	SF0950-LR1	SF0951-LR1	SF0952-LR1	SF0953-LR1	SF0955-5LR1	assembly/lamination dummy, two parts (2 dummies with screw)	set
1a	SC1053-L08	SC1054-L10	SC1055-L12	SC1055-L12	SC1055-L12	countersunk flat head screw with hexagon socket	piece
2	SF0950-LR2	SF0951-LR2	SF0952-LR2	SF0953-LR2	SF0955-5LR2	shaping dummy	piece
3	PE1010-01/LR	PE1011-01/LR	PE1012-LR	PE1013-LR	PE1025-LR	joint retainer	piece
	1/Y	2/Z	4/B	5/C	7/C	laser marking	-

- ➔ Assembly/lamination dummies are included in the scope of delivery of the system joints.
- ➔ You will find an overview of our tools on catalogue page J1ff.
- ➔ You will also find the joint retainers and the corresponding laser markings in the tool case on the catalogue pages J13 and J14.

Cover Plate Pressing Aid							
Item	Article Number for System Width					Description	Unit
	10mm	12mm	14mm	16mm	20mm		
4	WE5000-SF	WE5001-SF	WE5002-SF	WE5002-SF	WE5002-SF	cover plate pressing aid (pressing screw and washer)	set

- ➔ The cover plate pressing aid is included in the scope of delivery of the system joints.





rivet stirrup



lamination/prepreg stirrup



thermoformage stirrup



side view

General Measures of the System Stirrups plug + go Modularity					
Measure [mm]	System Width				
	10mm	12mm	14mm	16mm	20mm
thickness	2.0	2.0	2.5	3.0	3.0
neck width	16.0	19.4	23.2	26.6	30.8
bore hole diameter	6.0	7.0	8.5	9.6	10.5

Bent							
Description	Leg/Leg Side	Unit	Article Number and Measures for System Width				
			10mm	12mm	14mm	16mm	20mm
rivet stirrup	left or right	piece	FB5070-LR/ST3	FB5071-LR/ST3	FB5082-LR/ST4	FB5093-LR/ST4	FB5015-LR/ST5
length from the middle of the bore hole [mm]			104	112	124	144	164
weight [g]			33	43	69	112	143
lamination/prepreg stirrup	left lateral or right medial	piece	FB5170-L/ST1	FB5171-L/ST1	FB5182-L/ST1	FB5193-L/ST1	FB5115-L/ST1
	left medial or right lateral		FB5170-R/ST1	FB5171-R/ST1	FB5182-R/ST1	FB5193-R/ST1	FB5115-R/ST1
length from the middle of the bore hole [mm]			28	40	54	64	68
weight [g]			10	16	32	53	70
thermoformage stirrup	left or right	piece	FB5270-LR/ST2	FB5271-LR/ST2	FB5282-LR/ST2	FB5293-LR/ST2	FB5215-LR/ST3
length from the middle of the bore hole [mm]			49	54	61	67	73
weight [g]			14	19	34	53	66

NEURO VARIO-CLASSIC

NEURO VARIO-CLASSIC 2

NEURO VARIO

NEURO VARIO 2

NEURO VARIO-SPRING

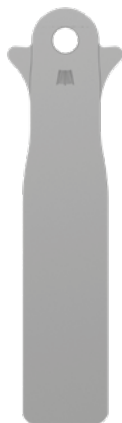
NEURO VARIO-SPRING 2

NEURO VARIO-SWING

System Stirrups plug + go Modularity – Straight

NEURO VARIO-CLASSIC

NEURO VARIO-CLASSIC 2



rivet stirrup



lamination/prepreg stirrup



thermoformage stirrup

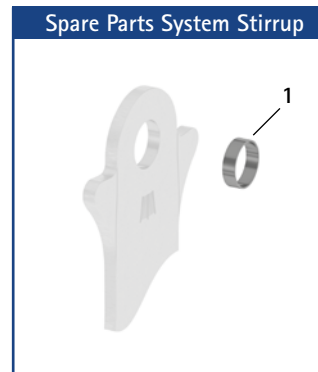
NEURO VARIO

NEURO VARIO 2

Straight						
Description	Unit	Article Number and Measures for System Width				
		10mm	12mm	14mm	16mm	20mm
rivet stirrup	piece	FB5070-ST/3	FB5071-ST/3	FB5082-ST/4	FB5093-ST/4	FB5015-ST/5
length from the middle of the bore hole [mm]		105	113	125	145	165
weight [g]		33	43	69	112	143
lamination/prepreg stirrup	piece	FB5170-ST/1	FB5171-ST/1	FB5182-ST/1	FB5193-ST/1	FB5115-ST/1
length from the middle of the bore hole [mm]		29	41	55	65	69
weight [g]		10	16	32	53	70
thermoformage stirrup	piece	FB5270-ST/2	FB5271-ST/2	FB5282-ST/2	FB5293-ST/2	FB5215-ST/3
length from the middle of the bore hole [mm]		50	55	62	68	74
weight [g]		14	19	34	53	66

Spare Parts System Stirrup						
Item	Article Number for System Width					Description
	10mm	12mm	14mm	16mm	20mm	
1	BP0706-L020	BR0807-L020	BR1009-L025	BR1110-L030	BR1211-L030	sliding bushing

→ All system stirrups of the NEURO VARIO-SPRING 2 system ankle joint are delivered with an integrated sliding bushing.



NEURO VARIO-SPRING

NEURO VARIO-SPRING 2

NEURO VARIO-SWING

Information for Processing

Rivet Stirrup:

→ This system stirrup is riveted to the foot piece.

Lamination/Prepreg Stirrup:

→ This system stirrup is embedded into the laminate of the foot piece.

Thermoformage Stirrup:



→ This system stirrup is embedded into thermoformable plastics, but can be embedded into laminates as well.



→ The system stirrup is marked with lines in the neck area in order to read the joint angle.

NEURO VARIO-SWING



	Dorsiflexion Stop	Plantar Flexion Stop
Main Function	 <p>static</p>	 <p>dynamic (with dorsiflexion assist)</p>
Adjustment Options	adjustable	adjustable, variable spring force by exchanging the spring unit
Other Functions		static by adjusting the motion limiting screw

The NEURO VARIO-SWING system ankle joint comes with integrated noise reduction.

The NEURO VARIO-SWING system ankle joint can be converted into the NEURO CLASSIC system ankle joint free moving by optionally filing the system stirrup and by exchanging the functional unit.

The NEURO CLASSIC with plug + go modularity, the NEURO VARIO-CLASSIC 2 and the NEURO VARIO 2 can be used as supporting joints for the NEURO VARIO-SWING system ankle joint.



The NEURO VARIO-SWING system ankle joint can be converted into the NEURO CLASSIC with plug + go modularity, NEURO VARIO-CLASSIC 2, NEURO VARIO 2, NEURO VARIO-SPRING 2, NEURO SWING, NEURO SWING-CLASSIC, NEURO SWING 2 and NEURO HiSWING system ankle joints by exchanging the functional unit and in the case of the NEURO HiSWING by mounting the spirit level as well.



NEURO VARIO-CLASSIC

NEURO VARIO-CLASSIC 2

NEURO VARIO

NEURO VARIO 2

NEURO VARIO-SPRING

NEURO VARIO-SPRING 2

NEURO VARIO-SWING

System Ankle Joints NEURO VARIO-SWING

NEURO VARIO-CLASSIC

NEURO VARIO-CLASSIC 2



10mm

12mm

14mm

16mm

20mm

NEURO VARIO

Joint Dimensions [mm]

Dimension	Description	System Width a				
		10mm	12mm	14mm	16mm	20mm
b	joint head width	37	45	54	63	74
c	joint height	40	50	62.5	68.5	75
	joint thickness	10.5	12	14	17	20

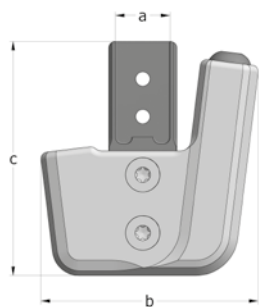
NEURO VARIO 2

Joint Weights* [g]

Material	Unit	System Width				
		10mm	12mm	14mm	16mm	20mm
steel	piece	31	52	84.5	125	177
titanium	piece	-	43	70.5	106	147

* without spring unit

NEURO VARIO-SPRING



NEURO VARIO-SPRING 2

The NEURO VARIO-SWING system ankle joint is delivered with the following articles:

- cover plate pressing aid
- orthosis joint grease, 3g
- assembly/lamination dummy

NEURO VARIO-SWING

- ➔ Please order spring units, shaping dummy, system stirrups and system side bars/anchors separately.
- ➔ You will find spring units on catalogue page B70.7.
- ➔ You will find the shaping dummy on catalogue page B70.8.
- ➔ You will find system stirrups plug + go modularity on catalogue page B70.9f.
- ➔ You will find system side bars/anchors on catalogue page I1ff.

B70.3



straight
fig. 1



bent inwards
fig. 2



bent outwards
fig. 3

Straight (Fig. 1)			Article Number for System Width				
Material	Leg Side	Unit	10mm	12mm	14mm	16mm	20mm
steel	left lateral or right medial	piece	SH4200-L/ST	SH4201-L/ST	SH4202-L/ST	SH4203-L/ST	SH4205-L/ST
	left medial or right lateral	piece	SH4200-R/ST	SH4201-R/ST	SH4202-R/ST	SH4203-R/ST	SH4205-R/ST
titanium	left lateral or right medial	piece	-	SH4201-L/TI	SH4202-L/TI	SH4203-L/TI	SH4205-L/TI
	left medial or right lateral	piece	-	SH4201-R/TI	SH4202-R/TI	SH4203-R/TI	SH4205-R/TI

Bent Inwards (Fig. 2)			Article Number for System Width				
Material	Leg Side	Unit	10mm	12mm	14mm	16mm	20mm
steel	left lateral or right medial	piece	SH4220-L/ST	SH4221-L/ST	SH4222-L/ST	SH4223-L/ST	SH4225-L/ST
	left medial or right lateral	piece	SH4220-R/ST	SH4221-R/ST	SH4222-R/ST	SH4223-R/ST	SH4225-R/ST
titanium	left lateral or right medial	piece	-	SH4221-L/TI	SH4222-L/TI	SH4223-L/TI	SH4225-L/TI
	left medial or right lateral	piece	-	SH4221-R/TI	SH4222-R/TI	SH4223-R/TI	SH4225-R/TI

Bent Outwards (Fig. 3)			Article Number for System Width				
Material	Leg Side	Unit	10mm	12mm	14mm	16mm	20mm
steel	left lateral or right medial	piece	SH4240-L/ST	SH4241-L/ST	SH4242-L/ST	SH4243-L/ST	SH4245-L/ST
	left medial or right lateral	piece	SH4240-R/ST	SH4241-R/ST	SH4242-R/ST	SH4243-R/ST	SH4245-R/ST
titanium	left lateral or right medial	piece	-	SH4241-L/TI	SH4242-L/TI	SH4243-L/TI	SH4245-L/TI
	left medial or right lateral	piece	-	SH4241-R/TI	SH4242-R/TI	SH4243-R/TI	SH4245-R/TI

NEURO VARIO-CLASSIC

NEURO VARIO-CLASSIC 2

NEURO VARIO

NEURO VARIO 2

NEURO VARIO-SPRING

NEURO VARIO-SPRING 2

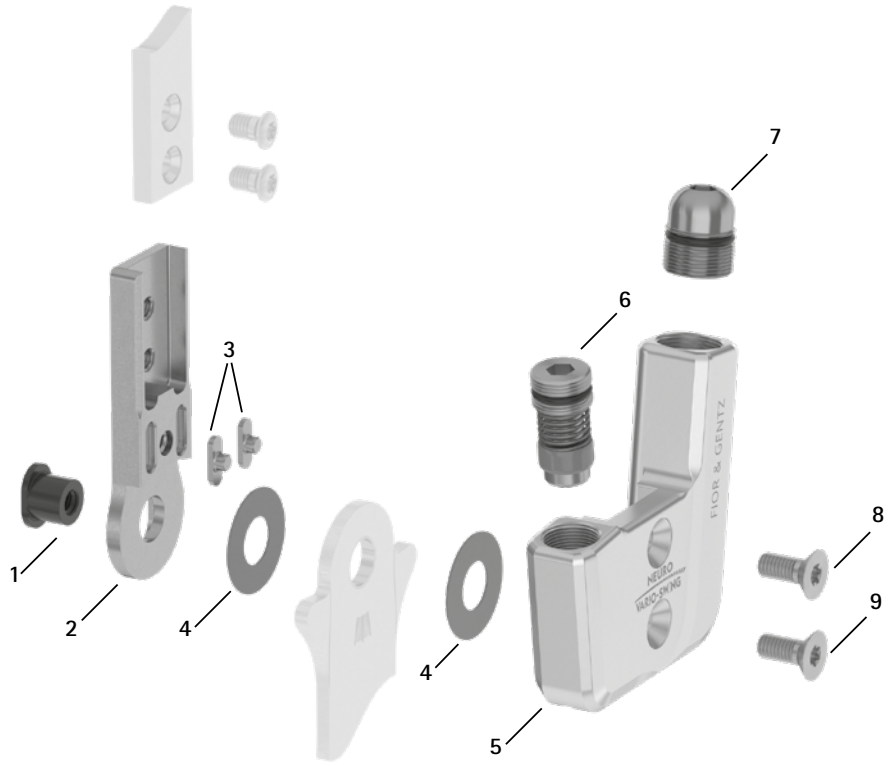
NEURO VARIO-SWING

NEURO VARIO-CLASSIC

NEURO VARIO-CLASSIC 2

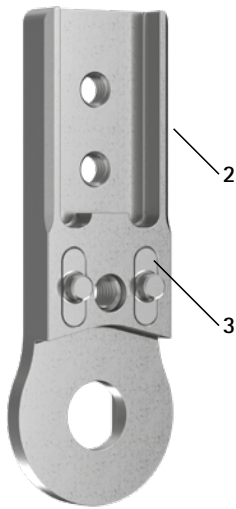
NEURO VARIO

Spare Parts



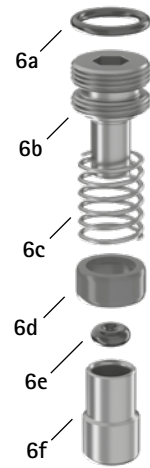
NEURO VARIO 2

Upper Part with Feather Keys, Preassembled (2-3)



NEURO VARIO-SPRING

Spare Parts Screw Unit (6)



NEURO VARIO-SPRING 2

Spare Parts Screw Unit (7)



NEURO VARIO-SWING

Spare Parts						
Item	Article Number for System Width					Description
	10mm	12mm	14mm	16mm	20mm	
1	SB6039-L0580*	SB7049-L0590*	SB8559-L0630*	SB9669-L0760*	SB1069-L0960*	bearing nut*
3	SF0390-01	SF0391-01	SF0392-02	SF0393-02	SF0395-02	feather key with pin
2-3	SF0310-P/ST	SF0311-P/ST	SF0312-P/ST	SF0313-P/ST	SF0315-P/ST	upper part with feather keys, straight, steel
2-3	-	SF0311-P/TI	SF0312-P/TI	SF0313-P/TI	SF0315-P/TI	upper part with feather keys, straight, titanium
2-3	SF0330-P/ST	SF0331-P/ST	SF0332-P/ST	SF0333-P/ST	SF0335-P/ST	upper part with feather keys, bent inwards, steel
2-3	-	SF0331-P/TI	SF0332-P/TI	SF0333-P/TI	SF0335-P/TI	upper part with feather keys, bent inwards, titanium
2-3	SF0330-8P/ST	SF0331-8P/ST	SF0332-8P/ST	SF0333-8P/ST	SF0335-8P/ST	upper part with feather keys, bent outwards, steel
2-3	-	SF0331-8P/TI	SF0332-8P/TI	SF0333-8P/TI	SF0335-8P/TI	upper part with feather keys, bent outwards, titanium
4	GS1206-**	GS1407-**	GS2009-**	GS2210-**	GS2611-**	sliding washer**
5	SH0460-L/AL	SH0461-L/AL	SH0462-L/AL	SH0463-L/AL	SH0465-L/AL	cover plate, left lateral or right medial
5	SH0460-R/AL	SH0461-R/AL	SH0462-R/AL	SH0463-R/AL	SH0465-R/AL	cover plate, left medial or right lateral
6	SC9607-L04	SC9608-L06	SC9611-L08	SC9612-L08	SC9612-L08	screw unit
6a	VE3771-04/10	VE3771-050/10	VE3771-08/15	VE3771-09/15	VE3771-09/15	O-ring for securing the alignment screw
6b	SC9607-L04/S	SC9608-L06/S	SC9611-L08/S	SC9612-L08/S	SC9612-L08/S	alignment screw
6c	FE1615-01	FE1611-01	FE1916-01	FE1027-01	FE1027-01	coil spring
6d	GS0604-350	GS0705-525	GS1007-350	GS1108-500	GS1108-500	sliding bushing
6e	PN0003-L02	PN0004-L02	-	-	-	stop damper
6e	-	-	VE3771-010/20	VE3771-012/26	VE3771-012/26	O-ring damper
6f	SH0490-01	SH0491-01	SH0492-01	SH0493-01	SH0493-01	plunger
7	SC9609-L13	SC9611-L14	SC9612-L15	SC9614-L17	SC9618-L17	screw unit
7a	VE3771-06/11	VE3771-08/15	VE3771-09/15	VE3771-11/15	VE3771-125/15	O-ring for securing the alignment screw
7b	SC9609-L13/S	SC9611-L14/T	SC9612-L15/T	SC9614-L17/T	SC9618-L17/T	alignment screw
7c	VE3771-03/10	VE3771-04/10	VE3771-04/10	VE3771-04/10	VE3771-07/10	O-ring for securing the motion limiting screw
7d	SC9606-L05	SC9607-L06	SC9607-L06	SC9607-L06	SC9611-L06	motion limiting screw
8	SC1403-L08	SC1404-L10	SC1405-L11	SC1405-L12	SC1405-L14	countersunk flat head screw with hexalobular socket
9	SC1403-L08	SC1404-L10	SC1405-L11	SC1405-L12	SC1406-L14	countersunk flat head screw with hexalobular socket (axle screw)
5-9	SH4970-L/AL*	SH4971-L/AL*	SH4972-L/AL*	SH4973-L/AL*	SH4975-L/AL*	functional unit plug + go modularity, left lateral or right medial*
5-9	SH4970-R/AL*	SH4971-R/AL*	SH4972-R/AL*	SH4973-R/AL*	SH4975-R/AL*	functional unit plug + go modularity, left medial or right lateral*

* For a conversion from the NEURO CLASSIC with plug + go modularity, this longer bearing nut is required in addition to the functional unit (see item 1).

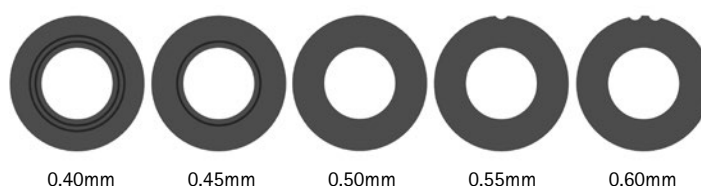
Feather Key Set							
Item	Article Number for System Width					Description	Unit
	10mm	12mm	14mm	16mm	20mm		
w/o fig.	SF0390	SF0391	SF0392	SF0393	SF0395	feather key set	set

→ The feather key set contains two feather keys with pin and the outer assembly/lamination dummy to make pressing easier. You can order the set if the feather keys have to be exchanged.

** Sliding Washers

Article Number for System Width					
10mm	12mm	14mm	16mm	20mm	
∅ = 12mm	∅ = 14mm	∅ = 20mm	∅ = 22mm	∅ = 26mm	
GS1206-040	GS1407-040	GS2009-040	GS2210-040	GS2611-040	
GS1206-045	GS1407-045	GS2009-045	GS2210-045	GS2611-045	
GS1206-050	GS1407-050	GS2009-050	GS2210-050	GS2611-050	
GS1206-055	GS1407-055	GS2009-055	GS2210-055	GS2611-055	
GS1206-060	GS1407-060	GS2009-060	GS2210-060	GS2611-060	

The last three digits of the article number stand for the thickness of the sliding washer, e.g. GS1407-040. The thickness of this sliding washer is 0.40mm. In total, the sliding washers are available in five different thicknesses. The thickness of a sliding washer is indicated by the markings. For example, a sliding washer with two notches is 0.40mm thick, whereas a sliding washer with one notch is 0.55mm thick.

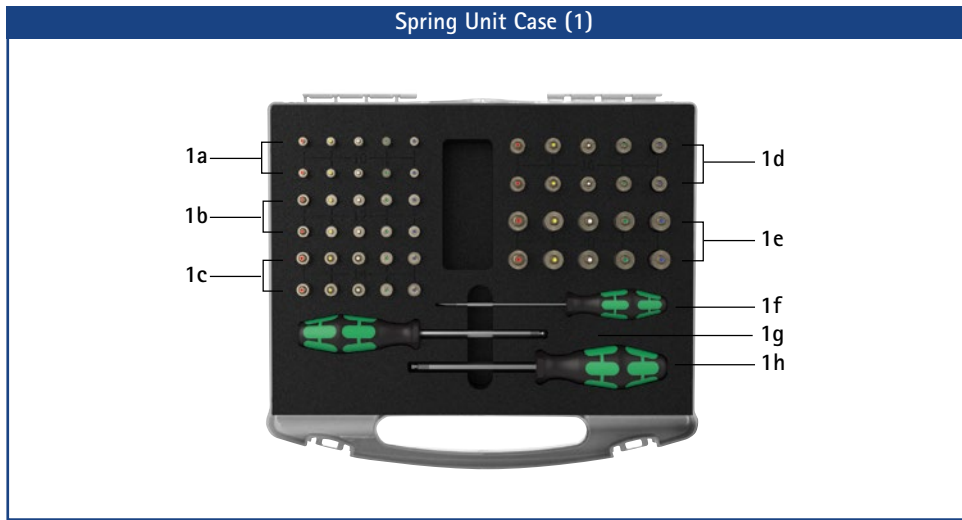


- You will find system stirrups plug + go modularity on catalogue page B70.9f.
- You will find the system side bars and system anchors on catalogue page I1ff.

Spare and Accessory Parts NEURO VARIO-SWING

NEURO VARIO-CLASSIC

NEURO VARIO-CLASSIC 2



NEURO VARIO

NEURO VARIO 2

Spring Unit Case		
Item	Article Number	Description
1	SF5800	1 x spring unit set in a case with tools
w/o fig.	SF5800-0	1 x spring unit case for filling by yourself, with tools (without spring units)
1a	see table spring units	2 x of each blue, green, white, yellow and red spring unit for NEURO VARIO-SWING 10mm
1b	see table spring units	2 x of each blue, green, white, yellow and red spring unit for NEURO VARIO-SWING 12mm
1c	see table spring units	2 x of each blue, green, white, yellow and red spring unit for NEURO VARIO-SWING 14mm
1d	see table spring units	2 x of each blue, green, white, yellow and red spring unit for NEURO VARIO-SWING 16mm
1e	see table spring units	2 x of each blue, green, white, yellow and red spring unit for NEURO VARIO-SWING 20mm
1f	WZ5703-3513	1 x slotted screwdriver 0.6 x 3.5 x 100mm
1g	WZ5112-4010	1 x hexagonal screwdriver with spherical head, 4 x 100mm
1h	WZ5112-5010	1 x hexagonal screwdriver with spherical head, 5 x 100mm

NEURO VARIO-SPRING

NEURO VARIO-SPRING 2

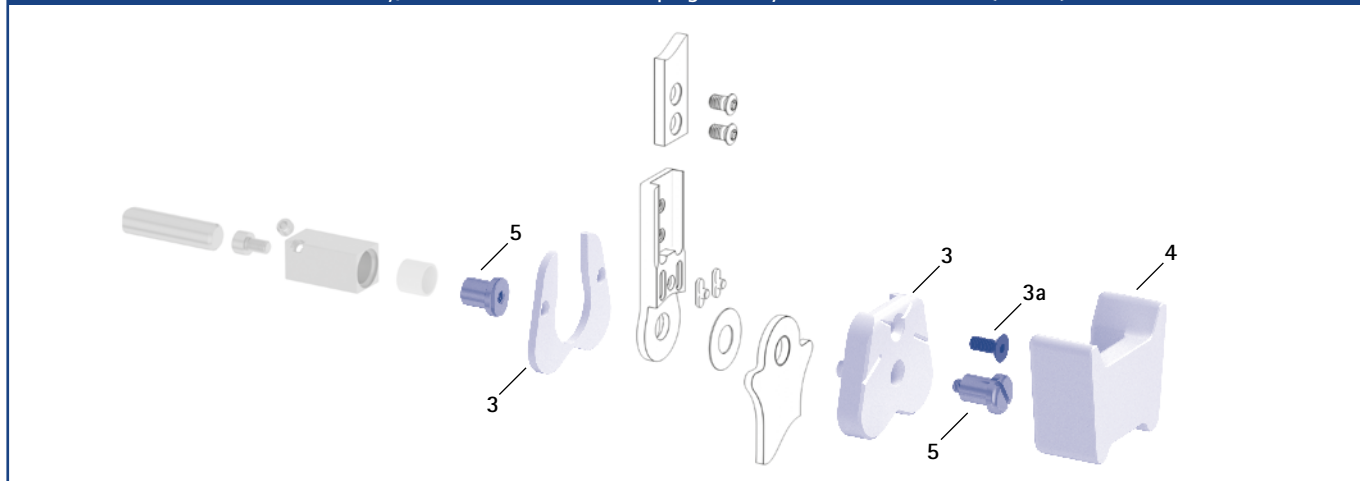
NEURO VARIO-SWING

Spring Units (You Need One of the Following Spring Units for One NEURO VARIO-SWING System Ankle Joint):						
Article Number for System Width					Description	Unit
10mm	12mm	14mm	16mm	20mm		
SF5800-15/02	SF5801-15/03	SF5802-15/05	SF5803-15/07	SF5805-15/18	spring unit, blue, normal, max. 15° range of motion	piece
SF5800-15/04	SF5801-15/06	SF5802-15/11	SF5803-15/15	SF5805-15/25	spring unit, green, medium, max. 15° range of motion	piece
SF5800-10/06	SF5801-10/12	SF5802-09/16	SF5803-10/21	SF5805-10/40	spring unit, white, strong, max. 10° range of motion	piece
SF5800-10/09	SF5801-10/19	SF5802-10/29	SF5803-10/31	SF5805-10/60	spring unit, yellow, very strong, max. 10° range of motion	piece
SF5800-05/17	SF5801-05/33	SF5802-05/53	SF5803-05/63	SF5805-05/99	spring unit, red, extra strong, max. 5° range of motion	piece

Spare Parts Spring Units						
Item	Article Number for System Width					Description
	10mm	12mm	14mm	16mm	20mm	
2	VE3771-045/10	VE3771-06/10	VE3771-07/10	VE3771-08/10	VE3771-11/10	O-ring for securing the spring unit

Spring Units Weights [g]							
Spring Unit	Article Number	System Width					
		10mm	12mm	14mm	16mm	20mm	
spring unit, blue, normal, max. 15° range of motion	see table spring units	3	6	7	11	33	
spring unit, green, medium, max. 15° range of motion	see table spring units	3	8	14	21	38	
spring unit, white, strong, max. 10° range of motion	see table spring units	3	9	17	26	49	
spring unit, yellow, very strong, max. 10° range of motion	see table spring units	4	9	17	30	57	
spring unit, red, extra strong, max. 5° range of motion	see table spring units	4	10	19	29	60	

Assembly/Lamination Dummies, Shaping Dummy and Joint Retainers (3, 4, 5)



Pos.	Article Number for System Width					Description	Unit
	10mm	12mm	14mm	16mm	20mm		
3	SF0950-LR1	SF0951-LR1	SF0952-LR1	SF0953-LR1	SF0955-5LR1	assembly/lamination dummy, two parts (2 dummies with screw)	set
3a	SC1053-L08	SC1054-L10	SC1055-L12	SC1055-L12	SC1055-L12	countersunk flat head screw with hexagon socket	piece
4	SF0950-LR2	SF0951-LR2	SF0952-LR2	SF0953-LR2	SF0955-5LR2	shaping dummy	piece
5	PE1010-01/LR	PE1011-01/LR	PE1012-LR	PE1013-LR	PE1025-LR	joint retainer	piece
	1/Y	2/Z	4/B	5/C	7/C	laser marking	-

- ➔ Assembly/lamination dummies are included in the scope of delivery of the system joints.
- ➔ You will find an overview of our tools on catalogue page J1ff.
- ➔ You will also find the joint retainers and the corresponding laser markings in the tool case on the catalogue pages J13 and J14.

Cover Plate Pressing Aid							
Item	Article Number for System Width					Description	Unit
	10mm	12mm	14mm	16mm	20mm		
6	WE5000-SF	WE5001-SF	WE5002-SF	WE5002-SF	WE5002-SF	cover plate pressing aid (pressing screw and washer)	set

- ➔ The cover plate pressing aid is included in the scope of delivery of the system joints.



System Stirrups plug + go Modularity – Bent



rivet stirrup



lamination/prepreg stirrup



thermoformage stirrup



side view

General Measures of the System Stirrups plug + go Modularity

Measure [mm]	System Width				
	10mm	12mm	14mm	16mm	20mm
thickness	2.0	2.0	2.5	3.0	3.0
neck width	16.0	19.4	23.2	26.6	30.8
bore hole diameter	6.0	7.0	8.5	9.6	10.5

Bent

Description	Leg/Leg Side	Unit	Article Number and Measures for System Width				
			10mm	12mm	14mm	16mm	20mm
rivet stirrup	left or right	piece	FB5070-LR/ST3	FB5071-LR/ST3	FB5082-LR/ST4	FB5093-LR/ST4	FB5015-LR/ST5
length from the middle of the bore hole [mm]			104	112	124	144	164
weight [g]			33	43	69	112	143
lamination/prepreg stirrup	left lateral or right medial	piece	FB5170-L/ST1	FB5171-L/ST1	FB5182-L/ST1	FB5193-L/ST1	FB5115-L/ST1
	left medial or right lateral		FB5170-R/ST1	FB5171-R/ST1	FB5182-R/ST1	FB5193-R/ST1	FB5115-R/ST1
length from the middle of the bore hole [mm]			28	40	54	64	68
weight [g]			10	16	32	53	70
thermoformage stirrup	left or right	piece	FB5270-LR/ST2	FB5271-LR/ST2	FB5282-LR/ST2	FB5293-LR/ST2	FB5215-LR/ST3
length from the middle of the bore hole [mm]			49	54	61	67	73
weight [g]			14	19	34	53	66



rivet stirrup



lamination/prepreg stirrup

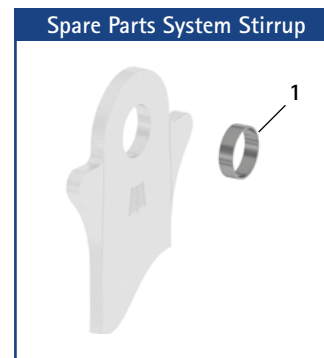


thermoformage stirrup

Straight						
Description	Unit	Article Number and Measures for System Width				
		10mm	12mm	14mm	16mm	20mm
rivet stirrup	piece	FB5070-ST/3	FB5071-ST/3	FB5082-ST/4	FB5093-ST/4	FB5015-ST/5
length from the middle of the bore hole [mm]		105	113	125	145	165
weight [g]		33	43	69	112	143
lamination/prepreg stirrup	piece	FB5170-ST/1	FB5171-ST/1	FB5182-ST/1	FB5193-ST/1	FB5115-ST/1
length from the middle of the bore hole [mm]		29	41	55	65	69
weight [g]		10	16	32	53	70
thermoformage stirrup	piece	FB5270-ST/2	FB5271-ST/2	FB5282-ST/2	FB5293-ST/2	FB5215-ST/3
length from the middle of the bore hole [mm]		50	55	62	68	74
weight [g]		14	19	34	53	66

Spare Parts System Stirrup						
Item	Article Number for System Width					Description
	10mm	12mm	14mm	16mm	20mm	
1	BP0706-L020	BR0807-L020	BR1009-L025	BR1110-L030	BR1211-L030	sliding bushing

→ All system stirrups of the NEURO VARIO-SWING system ankle joint are delivered with an integrated sliding bushing.



Information for Processing

Rivet Stirrup:
→ This system stirrup is riveted to the foot piece.

Lamination/Prepreg Stirrup:
→ This system stirrup is embedded into the laminate of the foot piece.

Thermoformage Stirrup:
→ This system stirrup is embedded into thermoformable plastics, but can be embedded into laminates as well.



→ The system stirrup is marked with lines in the neck area in order to read the joint angle.

NEURO SWING-CLASSIC

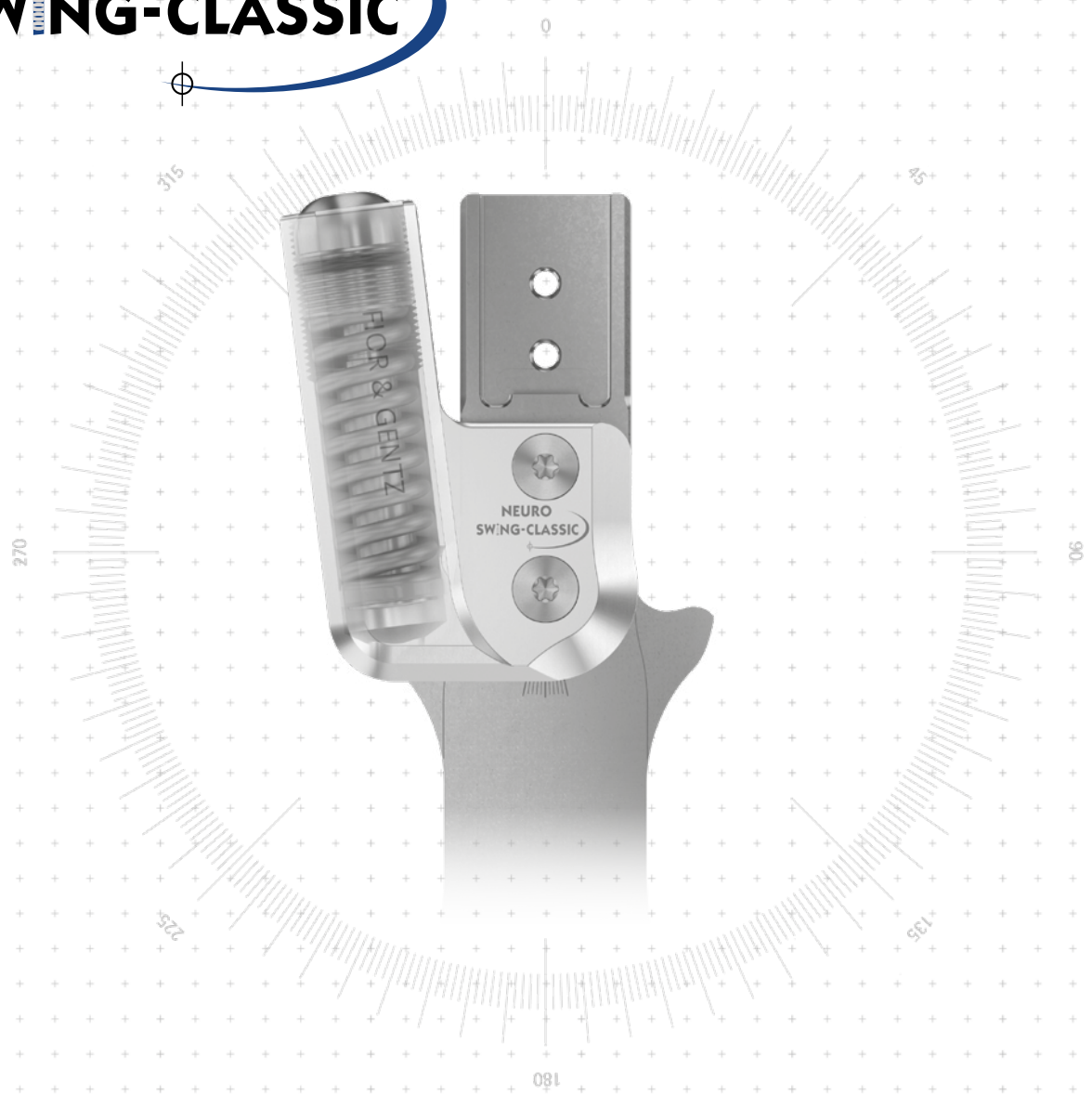
NEURO SWING



NEURO SWING 2

NEURO HiSWING

NEURO SWING Carbon

NEURO SWING-CLASSIC



	Dorsiflexion Stop	Plantar Flexion Stop
Main Function	 dynamic	 none free moving system stirrup
Adjustment Options	adjustable, variable spring force by exchanging the spring unit	
Other Functions	static by adjusting the motion limiting screw	

The NEURO SWING-CLASSIC system ankle joint can be converted into the NEURO CLASSIC system ankle joint free moving by optionally filing the system stirrup and by exchanging the functional unit.

The NEURO CLASSIC with plug + go modularity can be used as supporting joint for the NEURO SWING-CLASSIC system ankle joint.



The NEURO SWING-CLASSIC system ankle joint can be converted into the NEURO CLASSIC with plug + go modularity, NEURO VARIO-CLASSIC 2, NEURO VARIO 2, NEURO VARIO-SPRING 2, NEURO VARIO-SWING, NEURO SWING, NEURO SWING 2 and NEURO HiSWING system ankle joints by exchanging the functional unit and in the case of the NEURO HiSWING by mounting the spirit level as well.



NEURO SWING-CLASSIC

NEURO SWING

NEURO SWING 2

NEURO HISWING

NEURO SWING Carbon



10mm

12mm

14mm

16mm

20mm

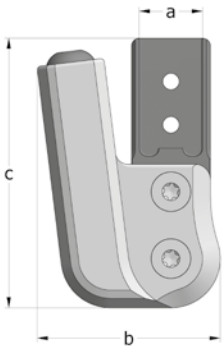
Joint Dimensions [mm]

Dimension	Description	System Width a				
		10mm	12mm	14mm	16mm	20mm
b	joint head width	26	32	39	46	54
c	joint height	40	50	62.5	68.5	75
	joint thickness	10	12	14	17	20

Joint Weights* [g]

Material	Unit	System Width				
		10mm	12mm	14mm	16mm	20mm
steel	piece	25	41	64.5	94	138
titanium	piece	-	32	50.5	75	108

* without spring unit



The NEURO SWING-CLASSIC system ankle joint is delivered with the following articles:

- cover plate pressing aid
- orthosis joint grease, 3g
- assembly/lamination dummy

- ➔ Please order spring units, shaping dummy, system stirrups and system side bars/anchors separately.
- ➔ You will find spring units on catalogue page C10.7.
- ➔ You will find the shaping dummy on catalogue page C10.8.
- ➔ You will find system stirrups on catalogue page C10.9f.
- ➔ You will find system side bars/anchors on catalogue page I1ff.



straight
fig. 1



bent inwards
fig. 2



bent outwards
fig. 3

Straight (Fig. 1)

Material	Leg Side	Unit	Article Number for System Width				
			10mm	12mm	14mm	16mm	20mm
steel	left lateral or right medial	piece	SH1200-L/ST	SH1201-L/ST	SH1202-L/ST	SH1203-L/ST	SH1205-L/ST
	left medial or right lateral	piece	SH1200-R/ST	SH1201-R/ST	SH1202-R/ST	SH1203-R/ST	SH1205-R/ST
titanium	left lateral or right medial	piece	-	SH1201-L/TI	SH1202-L/TI	SH1203-L/TI	SH1205-L/TI
	left medial or right lateral	piece	-	SH1201-R/TI	SH1202-R/TI	SH1203-R/TI	SH1205-R/TI

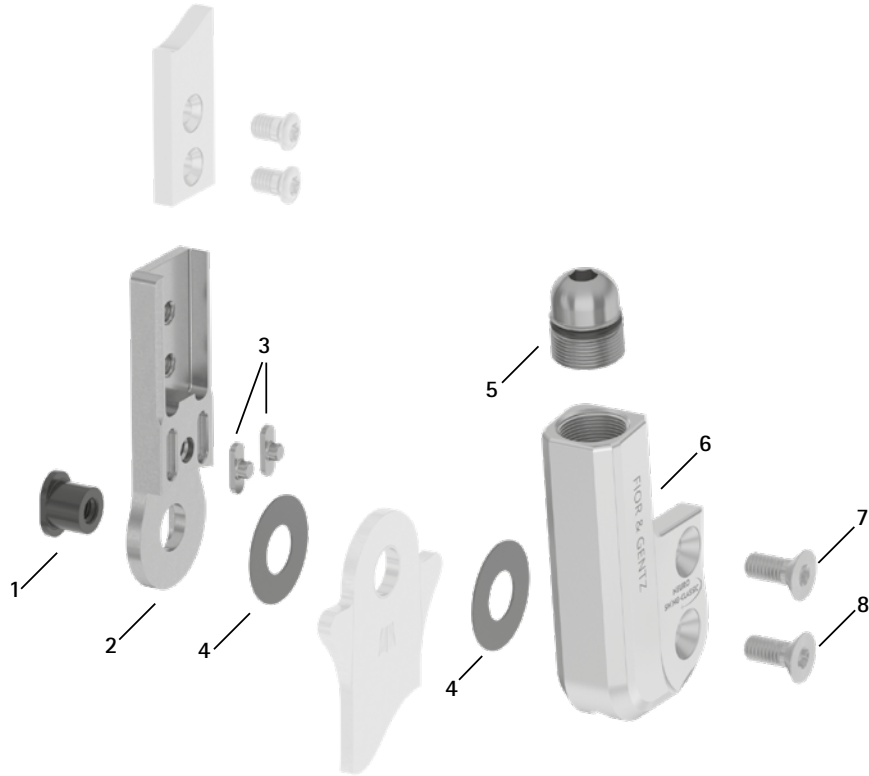
Bent Inwards (Fig. 2)

Material	Leg Side	Unit	Article Number for System Width				
			10mm	12mm	14mm	16mm	20mm
steel	left lateral or right medial	piece	SH1220-L/ST	SH1221-L/ST	SH1222-L/ST	SH1223-L/ST	SH1225-L/ST
	left medial or right lateral	piece	SH1220-R/ST	SH1221-R/ST	SH1222-R/ST	SH1223-R/ST	SH1225-R/ST
titanium	left lateral or right medial	piece	-	SH1221-L/TI	SH1222-L/TI	SH1223-L/TI	SH1225-L/TI
	left medial or right lateral	piece	-	SH1221-R/TI	SH1222-R/TI	SH1223-R/TI	SH1225-R/TI

Bent Outwards (Fig. 3)

Material	Leg Side	Unit	Article Number for System Width				
			10mm	12mm	14mm	16mm	20mm
steel	left lateral or right medial	piece	SH1240-L/ST	SH1241-L/ST	SH1242-L/ST	SH1243-L/ST	SH1245-L/ST
	left medial or right lateral	piece	SH1240-R/ST	SH1241-R/ST	SH1242-R/ST	SH1243-R/ST	SH1245-R/ST
titanium	left lateral or right medial	piece	-	SH1241-L/TI	SH1242-L/TI	SH1243-L/TI	SH1245-L/TI
	left medial or right lateral	piece	-	SH1241-R/TI	SH1242-R/TI	SH1243-R/TI	SH1245-R/TI

Spare Parts



Upper Part with Feather Keys, Preassembled (2-3)



Spare Parts Screw Unit (5)



Spare Parts						
Item	Article Number for System Width					Description
	10mm	12mm	14mm	16mm	20mm	
1	SB6039-L0580*	SB7049-L0590*	SB8559-L0630*	SB9669-L0760*	SB1069-L0960*	bearing nut*
2-3	SF0310-P/ST	SF0311-P/ST	SF0312-P/ST	SF0313-P/ST	SF0315-P/ST	upper part with feather keys, straight, steel
2-3	-	SF0311-P/TI	SF0312-P/TI	SF0313-P/TI	SF0315-P/TI	upper part with feather keys, straight, titanium
2-3	SF0330-P/ST	SF0331-P/ST	SF0332-P/ST	SF0333-P/ST	SF0335-P/ST	upper part with feather keys, bent inwards, steel
2-3	-	SF0331-P/TI	SF0332-P/TI	SF0333-P/TI	SF0335-P/TI	upper part with feather keys, bent inwards, titanium
2-3	SF0330-8P/ST	SF0331-8P/ST	SF0332-8P/ST	SF0333-8P/ST	SF0335-8P/ST	upper part with feather keys, bent outwards, steel
2-3	-	SF0331-8P/TI	SF0332-8P/TI	SF0333-8P/TI	SF0335-8P/TI	upper part with feather keys, bent outwards, titanium
3	SF0390-01	SF0391-01	SF0392-02	SF0393-02	SF0395-02	feather key with pin
4	GS1206-**	GS1407-**	GS2009-**	GS2210-**	GS2611-**	sliding washer**
5	SC9609-L13	SC9611-L14	SC9612-L15	SC9614-L17	SC9618-L17	screw unit
5a	VE3771-06/11	VE3771-08/15	VE3771-09/15	VE3771-11/15	VE3771-125/15	O-ring for securing the alignment screw
5b	SC9609-L13/S	SC9611-L14/T	SC9612-L15/T	SC9614-L17/T	SC9618-L17/T	alignment screw
5c	VE3771-03/10	VE3771-04/10	VE3771-04/10	VE3771-04/10	VE3771-07/10	O-ring for securing the motion limiting screw
5d	SC9606-L05	SC9607-L06	SC9607-L06	SC9607-L06	SC9611-L06	motion limiting screw
6	SH0160-2L/AL	SH0161-2L/AL	SH0162-2L/AL	SH0163-2L/AL	SH0155-2L/AL	cover plate, left lateral or right medial
6	SH0160-2R/AL	SH0161-2R/AL	SH0162-2R/AL	SH0163-2R/AL	SH0155-2R/AL	cover plate, left medial or right lateral
7	SC1403-L08	SC1404-L10	SC1405-L11	SC1405-L12	SC1405-L14	countersunk flat head screw with hexalobular socket
8	SC1403-L08	SC1404-L10	SC1405-L11	SC1405-L12	SC1406-L14	countersunk flat head screw with hexalobular socket (axle screw)
5-8	SH1970-L/AL*	SH1971-L/AL*	SH1972-L/AL*	SH1973-L/AL*	SH1975-L/AL*	functional unit plug + go modularity, left lateral or right medial*
5-8	SH1970-R/AL*	SH1971-R/AL*	SH1972-R/AL*	SH1973-R/AL*	SH1975-R/AL*	functional unit plug + go modularity, left medial or right lateral*

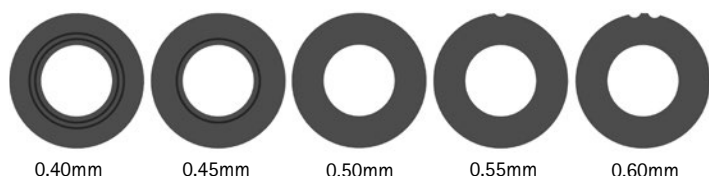
* For a conversion from the NEURO CLASSIC with plug + go modularity, this longer bearing nut is required in addition to the functional unit (see item 1).

Feather Key Set							
Item	Article Number for System Width					Description	Unit
	10mm	12mm	14mm	16mm	20mm		
w/o fig.	SF0390	SF0391	SF0392	SF0393	SF0395	feather key set	set

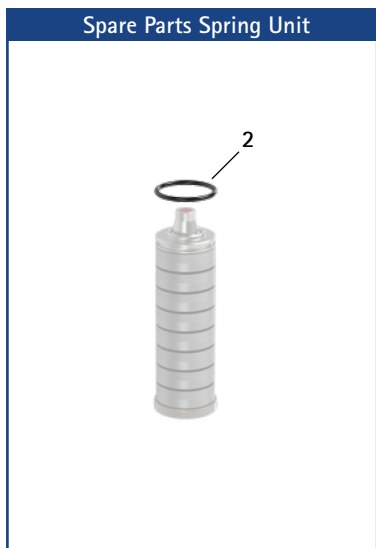
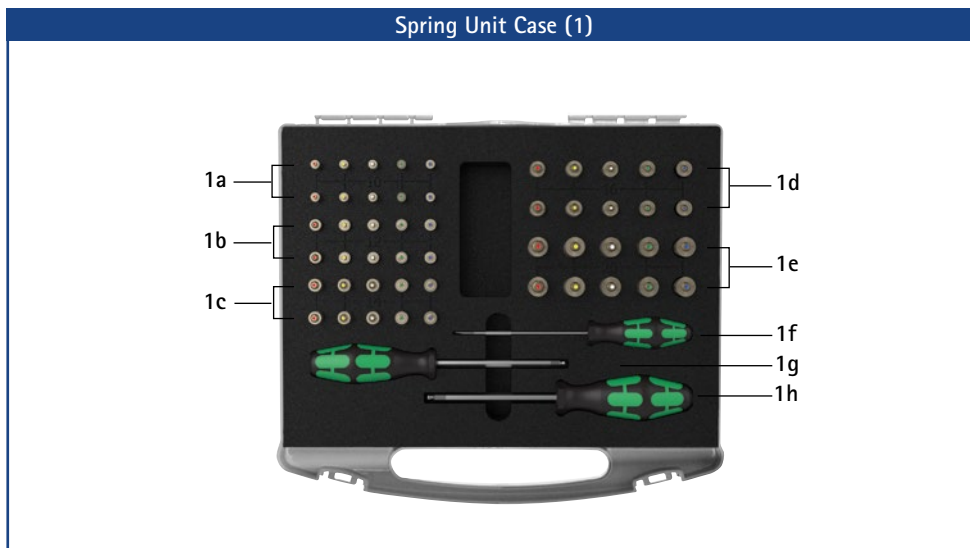
➔ The feather key set contains two feather keys with pin and the outer assembly/lamination dummy to make pressing easier. You can order the set if the feather keys have to be exchanged.

** Sliding Washers					
Article Number for System Width					
10mm	12mm	14mm	16mm	20mm	
Ø = 12mm	Ø = 14mm	Ø = 20mm	Ø = 22mm	Ø = 26mm	
GS1206-040	GS1407-040	GS2009-040	GS2210-040	GS2611-040	
GS1206-045	GS1407-045	GS2009-045	GS2210-045	GS2611-045	
GS1206-050	GS1407-050	GS2009-050	GS2210-050	GS2611-050	
GS1206-055	GS1407-055	GS2009-055	GS2210-055	GS2611-055	
GS1206-060	GS1407-060	GS2009-060	GS2210-060	GS2611-060	

The last three digits of the article number stand for the thickness of the sliding washer, e. g. GS1407-040. The thickness of this sliding washer is 0.40mm. In total, the sliding washers are available in five different thicknesses. The thickness of a sliding washer is indicated by the markings. For example, a sliding washer with two notches is 0.40mm thick, whereas a sliding washer with one notch is 0.55mm thick.



- ➔ You will find system stirrups on catalogue page C10.9f.
- ➔ You will find system side bars and system anchors on catalogue page I1ff.



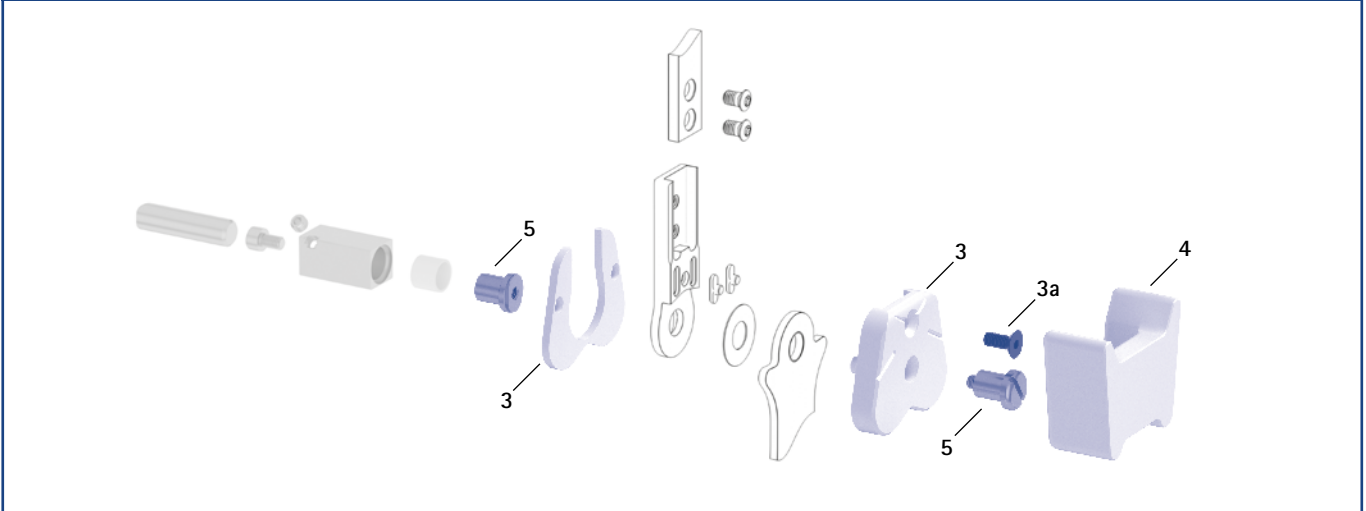
Spring Unit Case		
Item	Article Number	Description
1	SF5800	spring unit set in a case with tools
w/o fig.	SF5800-0	spring unit case for filling by yourself, with tools (without spring units)
1a	see table spring units	2 x of each blue, green, white, yellow and red spring unit for NEURO SWING-CLASSIC 10mm
1b	see table spring units	2 x of each blue, green, white, yellow and red spring unit for NEURO SWING-CLASSIC 12mm
1c	see table spring units	2 x of each blue, green, white, yellow and red spring unit for NEURO SWING-CLASSIC 14mm
1d	see table spring units	2 x of each blue, green, white, yellow and red spring unit for NEURO SWING-CLASSIC 16mm
1e	see table spring units	2 x of each blue, green, white, yellow and red spring unit for NEURO SWING-CLASSIC 20mm
1f	WZ5703-3513	1 x slotted screwdriver 0.6 x 3.5 x 100mm
1g	WZ5112-4010	1 x hexagonal screwdriver with spherical head, 4 x 100mm
1h	WZ5112-5010	1 x hexagonal screwdriver with spherical head, 5 x 100mm

Spring Units (You Need One of the Following Spring Units for One NEURO SWING-CLASSIC System Ankle Joint):						
Article Number for System Width					Description	Unit
10mm	12mm	14mm	16mm	20mm		
SF5800-15/02	SF5801-15/03	SF5802-15/05	SF5803-15/07	SF5805-15/18	spring unit, blue, normal, max. 15° range of motion	piece
SF5800-15/04	SF5801-15/06	SF5802-15/11	SF5803-15/15	SF5805-15/25	spring unit, green, medium, max. 15° range of motion	piece
SF5800-10/06	SF5801-10/12	SF5802-09/16	SF5803-10/21	SF5805-10/40	spring unit, white, strong, max. 10° range of motion	piece
SF5800-10/09	SF5801-10/19	SF5802-10/29	SF5803-10/31	SF5805-10/60	spring unit, yellow, very strong, max. 10° range of motion	piece
SF5800-05/17	SF5801-05/33	SF5802-05/53	SF5803-05/63	SF5805-05/99	spring unit, red, extra strong, max. 5° range of motion	piece

Spare Parts Spring Units						
Item	Article Number for System Width					Description
	10mm	12mm	14mm	16mm	20mm	
2	VE3771-045/10	VE3771-06/10	VE3771-07/10	VE3771-08/10	VE3771-11/10	O-ring for securing the spring unit

Spring Units Weights [g]							
Spring Unit	Article Number	System Width					
		10mm	12mm	14mm	16mm	20mm	
spring unit, blue, normal, max. 15° range of motion	see table spring units	3	6	7	11	33	
spring unit, green, medium, max. 15° range of motion	see table spring units	3	8	14	21	38	
spring unit, white, strong, max. 10° range of motion	see table spring units	3	9	17	26	49	
spring unit, yellow, very strong, max. 10° range of motion	see table spring units	4	9	17	30	57	
spring unit, red, extra strong, max. 5° range of motion	see table spring units	4	10	19	29	60	

Assembly/Lamination Dummies, Shaping Dummy and Joint Retainers (3, 4, 5)



Assembly/Lamination Dummies, Shaping Dummy and Joint Retainers

Item	Article Number for System Width					Description	Unit
	10mm	12mm	14mm	16mm	20mm		
3	SF0950-LR1	SF0951-LR1	SF0952-LR1	SF0953-LR1	SF0955-5LR1	assembly/lamination dummy, two parts (2 dummies with screw)	set
3a	SC1053-L08	SC1054-L10	SC1055-L12	SC1055-L12	SC1055-L12	countersunk flat head screw with hexagon socket	piece
4	SF0950-LR2	SF0951-LR2	SF0952-LR2	SF0953-LR2	SF0955-5LR2	shaping dummy	piece
5	PE1010-01/LR	PE1011-01/LR	PE1012-LR	PE1013-LR	PE1025-LR	joint retainer	piece
	1/Y	2/Z	4/B	5/C	7/C	laser marking	-

- ➔ Assembly/lamination dummies are included in the scope of delivery of the system joints.
- ➔ You will find an overview of our tools on catalogue page J1ff.
- ➔ You will also find the joint retainers and the corresponding laser markings in the tool case on the catalogue pages J13 and J14.

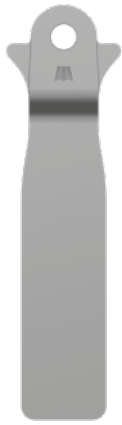
Cover Plate Pressing Aid

Item	Article Number for System Width					Description	Unit
	10mm	12mm	14mm	16mm	20mm		
6	WE5000-SF	WE5001-SF	WE5002-SF	WE5002-SF	WE5002-SF	cover plate pressing aid (pressing screw and washer)	set

- ➔ The cover plate pressing aid is included in the scope of delivery of the system joints.

Cover Plate Pressing Aid (6)





rivet stirrup



lamination/prepreg stirrup



thermoformage stirrup



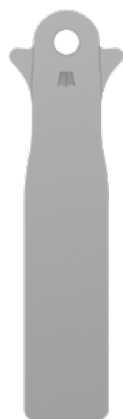
side view

General Measures of the System Stirrups plug + go Modularity

Measure [mm]	System Width				
	10mm	12mm	14mm	16mm	20mm
thickness	2.0	2.0	2.5	3.0	3.0
neck width	16.0	19.4	23.2	26.6	30.8
bore hole diameter	6.0	7.0	8.5	9.6	10.5

Bent

Description	Leg/Leg Side	Unit	Article Number and Measures for System Width				
			10mm	12mm	14mm	16mm	20mm
rivet stirrup	left or right	piece	FB5070-LR/ST3	FB5071-LR/ST3	FB5082-LR/ST4	FB5093-LR/ST4	FB5015-LR/ST5
length from the middle of the bore hole [mm]			104	112	124	144	164
weight [g]			33	43	69	112	143
lamination/prepreg stirrup	left lateral or right medial	piece	FB5170-L/ST1	FB5171-L/ST1	FB5182-L/ST1	FB5193-L/ST1	FB5115-L/ST1
	left medial or right lateral		FB5170-R/ST1	FB5171-R/ST1	FB5182-R/ST1	FB5193-R/ST1	FB5115-R/ST1
length from the middle of the bore hole [mm]			28	40	54	64	68
weight [g]			10	16	32	53	70
thermoformage stirrup	left or right	piece	FB5270-LR/ST2	FB5271-LR/ST2	FB5282-LR/ST2	FB5293-LR/ST2	FB5215-LR/ST3
length from the middle of the bore hole [mm]			49	54	61	67	73
weight [g]			14	19	34	53	66



rivet stirrup



lamination/prepreg stirrup

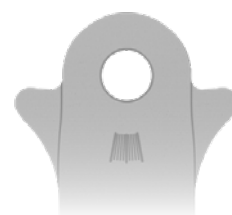
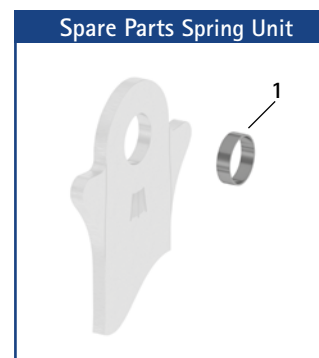


thermoformage stirrup

Straight						
Description	Unit	Article Number and Measures for System Width				
		10mm	12mm	14mm	16mm	20mm
rivet stirrup	piece	FB5070-ST/3	FB5071-ST/3	FB5082-ST/4	FB5093-ST/4	FB5015-ST/5
length from the middle of the bore hole [mm]		105	113	125	145	165
weight [g]		33	43	69	112	143
lamination/prepreg stirrup	piece	FB5170-ST/1	FB5171-ST/1	FB5182-ST/1	FB5193-ST/1	FB5115-ST/1
length from the middle of the bore hole [mm]		29	41	55	65	69
weight [g]		10	16	32	53	70
thermoformage stirrup	piece	FB5270-ST/2	FB5271-ST/2	FB5282-ST/2	FB5293-ST/2	FB5215-ST/3
length from the middle of the bore hole [mm]		50	55	62	68	74
weight [g]		14	19	34	53	66

Spare Parts System Stirrup						
Item	Article Number for System Width					Description
	10mm	12mm	14mm	16mm	20mm	
1	BP0706-L020	BR0807-L020	BR1009-L025	BR1110-L030	BR1211-L030	sliding bushing

➔ All system stirrups of the NEURO SWING-CLASSIC system ankle joint are delivered with an integrated sliding bushing.



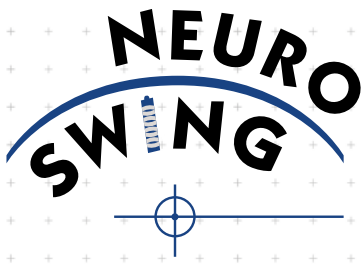
➔ The system stirrup is marked with lines in the neck area in order to read the joint angle.



Information for Processing

Rivet Stirrup:
➔ This system stirrup is riveted to the foot piece.

Lamination/Prepreg Stirrup:
➔ This system stirrup is embedded into the laminate of the foot piece.

Thermoformage Stirrup:
➔ This system stirrup is embedded into thermoformable plastics, but can be embedded into laminates as well.



	Dorsiflexion Stop	Plantar Flexion Stop
Main Function	 <p>dynamic</p>	 <p>dynamic (with dorsiflexion assist)</p>
Adjustment Options	adjustable, variable spring force by exchanging the spring unit	adjustable, variable spring force by exchanging the spring unit
Other Functions	static by adjusting the motion limiting screw	static by adjusting the motion limiting screw

The NEURO SWING system ankle joint can be converted into the NEURO CLASSIC system ankle joint free moving by optionally filing the system stirrup and by exchanging the functional unit. In the 24mm system width, the NEURO SWING system ankle joint cannot be converted.

The NEURO CLASSIC with plug + go modularity can be used as supporting joint for the NEURO SWING system ankle joint.



The NEURO SWING system ankle joint can be converted into the NEURO CLASSIC with plug + go modularity, NEURO SWING-CLASSIC, NEURO VARIO-CLASSIC 2, NEURO VARIO 2, NEURO VARIO-SPRING 2, NEURO VARIO-SWING, NEURO SWING 2 and NEURO HiSWING system ankle joints by exchanging the functional unit and in the case of the NEURO HiSWING by mounting the spirit level as well. The NEURO SWING in the 24mm system width is not equipped with plug + go modularity.



NEURO SWING-CLASSIC

NEURO SWING

NEURO SWING 2

NEURO HISWING

NEURO SWING Carbon



10mm

12mm

14mm

16mm

20mm

24mm

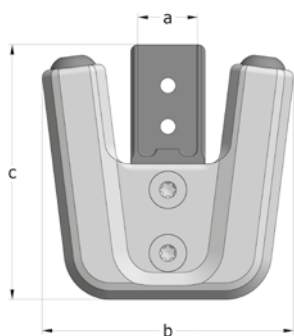
Joint Dimensions [mm]

Dimension	Description	System Width a					
		10mm	12mm	14mm	16mm	20mm	24mm
b	joint head width	39	47	56.5	67.5	80	92.5
c	joint height	40	50	62.5	68.5	75	86
	joint thickness	10	12	14	17	20	25

Joint Weights* [g]

Material	Unit	System Width					
		10mm	12mm	14mm	16mm	20mm	24mm
steel	piece	34	51	83	125	185	-
titanium	piece	-	42	69	106	156	277

* without spring units



The NEURO SWING system ankle joint is delivered with the following articles:

- cover plate pressing aid
- orthosis joint grease, 3g
- assembly/lamination dummy

- ➔ Please order spring units, shaping dummy, system stirrups and system side bars/anchors separately.
- ➔ You will find spring units on catalogue page C20.7.
- ➔ You will find the shaping dummy on catalogue page C20.8.
- ➔ You will find the system stirrup plug + go modularity on catalogue page C20.9f.
- ➔ You will find system side bars/anchors on catalogue page J1ff.



straight
fig. 1



bent inwards
fig. 2



bent outwards
fig. 3

Straight (Fig. 1)

Material	Leg	Unit	Article Number for System Width					
			10mm	12mm	14mm	16mm	20mm	24mm
steel	left or right	piece	SF5200-ST/LR	SF5201-ST/LR	SF5202-ST/LR	SF5203-ST/LR	SF5205-ST/LR	-
titanium	left or right	piece	-	SF5201-TI/LR	SF5202-TI/LR	SF5203-TI/LR	SF5205-TI/LR	SF5207-TI/LR

Bent Inwards (Fig. 2)

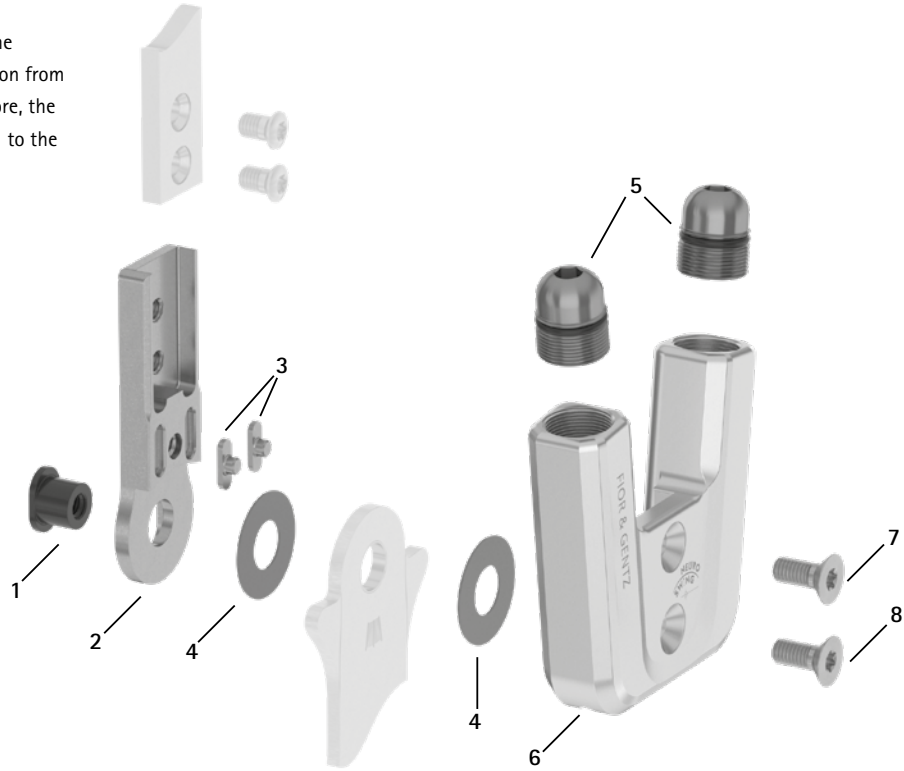
Material	Leg	Unit	Article Number for System Width					
			10mm	12mm	14mm	16mm	20mm	24mm
steel	left or right	piece	SF5220-ST/LR	SF5221-ST/LR	SF5222-ST/LR	SF5223-ST/LR	SF5225-ST/LR	-
titanium	left or right	piece	-	SF5221-TI/LR	SF5222-TI/LR	SF5223-TI/LR	SF5225-TI/LR	SF5227-TI/LR

Bent Outwards (Fig. 3)

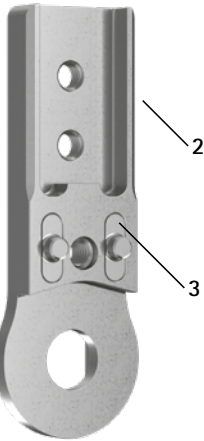
Material	Leg	Unit	Article Number for System Width					
			10mm	12mm	14mm	16mm	20mm	24mm
steel	left or right	piece	SF5240-ST/LR	SF5241-ST/LR	SF5242-ST/LR	SF5243-ST/LR	SF5245-ST/LR	-
titanium	left or right	piece	-	SF5241-TI/LR	SF5242-TI/LR	SF5243-TI/LR	SF5245-TI/LR	SF5247-TI/LR

Spare Parts

➔ The 24mm system width of the system joint differs in construction from the other system widths. Therefore, the joint's upper part is not identical to the illustration.



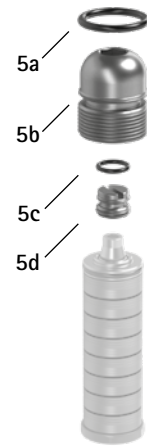
Upper Part with Feather Keys, Preassembled (2-3)



Upper Part without Feather Keys, for System Width 24mm (2-3)



Spare Parts Screw Unit (5)



Spare Parts							
Item	Article Number for System Width						Description
	10mm	12mm	14mm	16mm	20mm	24mm	
1	SB6039-L0580*	SB7049-L0590*	SB8559-L0630*	SB9669-L0760*	SB1069-L0960*	SB1262-L1400	bearing nut*
2-3	SF0310-P/ST	SF0311-P/ST	SF0312-P/ST	SF0313-P/ST	SF0315-P/ST	-	upper part with feather keys, straight, steel
2-3	-	SF0311-P/TI	SF0312-P/TI	SF0313-P/TI	SF0315-P/TI	SF0317-TI**	upper part with feather keys, straight, titanium**
2-3	SF0330-P/ST	SF0331-P/ST	SF0332-P/ST	SF0333-P/ST	SF0335-P/ST	-	upper part with feather keys, bent inwards, steel
2-3	-	SF0331-P/TI	SF0332-P/TI	SF0333-P/TI	SF0335-P/TI	SF0337-TI**	upper part with feather keys, bent inwards, titanium**
2-3	SF0330-8P/ST	SF0331-8P/ST	SF0332-8P/ST	SF0333-8P/ST	SF0335-8P/ST	-	upper part with feather keys, bent outwards, steel
2-3	-	SF0331-8P/TI	SF0332-8P/TI	SF0333-8P/TI	SF0335-8P/TI	SF0337-8/TI**	upper part with feather keys, bent outwards, titanium**
3	SF0390-01	SF0391-01	SF0392-02	SF0393-02	SF0395-02	-	feather key with pin
4	GS1206-***	GS1407-***	GS2009-***	GS2210-***	GS2611-***	GS3013-***	sliding washer***
5	SC9609-L13	SC9611-L14	SC9612-L15	SC9614-L17	SC9618-L17	SC9622-L19	screw unit
5a	VE3771-06/11	VE3771-08/15	VE3771-09/15	VE3771-11/15	VE3771-125/15	VE3771-160/15	O-ring for securing the alignment screw
5b	SC9609-L13/S	SC9611-L14/T	SC9612-L15/T	SC9614-L17/T	SC9618-L17/T	SC9622-L19/T	alignment screw
5c	VE3771-03/10	VE3771-04/10	VE3771-04/10	VE3771-04/10	VE3771-07/10	VE3771-07/10	O-ring for securing the motion limiting screw
5d	SC9606-L05	SC9607-L06	SC9607-L06	SC9607-L06	SC9611-L06	SC9611-L06	motion limiting screw
6	SF0560-2/AL	SF0561-2/AL	SF0562-2/AL	SF0563-2/AL	SF0555-2/AL	SF0567-2/AL	cover plate
7	SC1403-L08	SC1404-L10	SC1405-L11	SC1405-L12	SC1405-L14	SC1416-L16	countersunk flat head screw with hexalobular socket
8	SC1403-L08	SC1404-L10	SC1405-L11	SC1405-L12	SC1406-L14	SC1416-L16	countersunk flat head screw with hexalobular socket (axle screw)
5-8	SF5970-AL*	SF5971-AL*	SF5972-AL*	SF5973-AL*	SF5975-AL*	-	functional unit plug + go modularity*
5-8	-	-	-	-	-	SF5977-AL	functional unit

* For a conversion from the NEURO CLASSIC with plug + go modularity, this longer bearing nut is required in addition to the functional unit (see 1).

** There are no feather keys for the 24mm system width.

Set for Cover Plate with Feather Keys							
Item	Article Number for System Width						Description
	10mm	12mm	14mm	16mm	20mm	24mm	
w/o fig.	SF0560-E	SF0561-E	SF0562-E	SF0563-E	SF0555-E	-	set for cover plate with feather keys

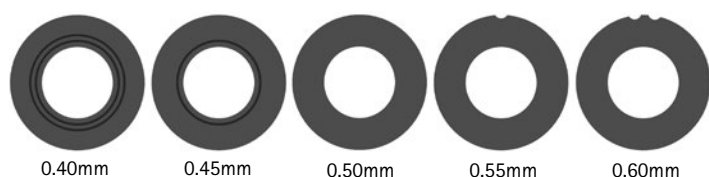
→ The set for cover plate with feather keys includes the cover plate, the bearing nut, two feather keys with pin and the outer assembly/lamination dummy.

Feather Key Set								
Item	Article Number for System Width						Description	Unit
	10mm	12mm	14mm	16mm	20mm	24mm		
w/o fig.	SF0390	SF0391	SF0392	SF0393	SF0395	-	feather key set	set

→ The feather key set contains two feather keys with pin and the outer assembly/lamination dummy to make pressing easier. You can order the set if the feather keys have to be exchanged.

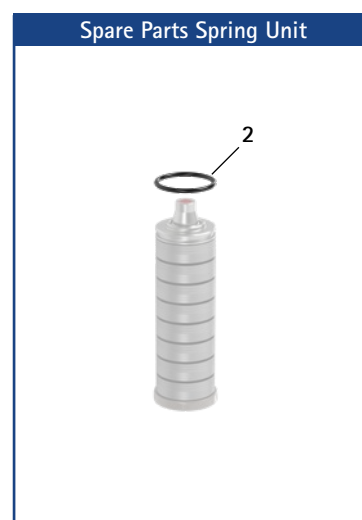
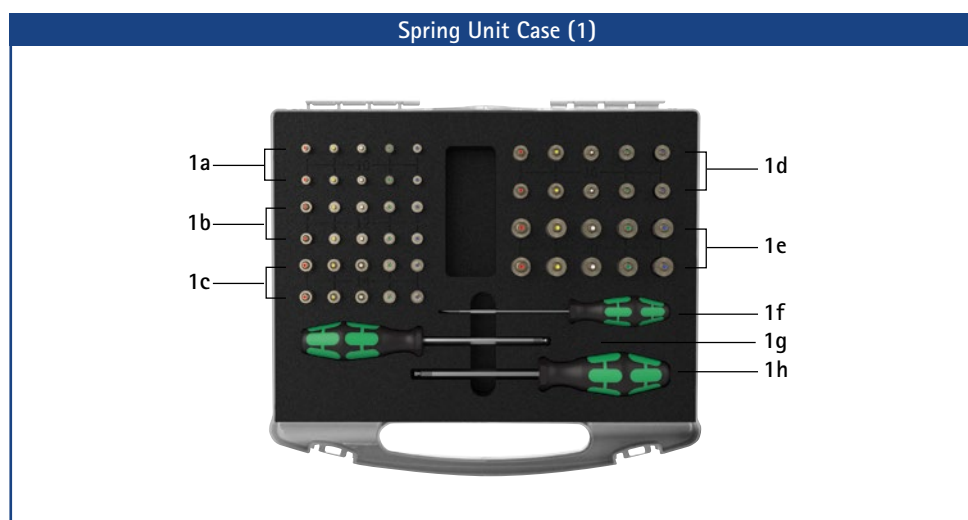
*** Sliding Washers						
Article Number for System Width						
10mm	12mm	14mm	16mm	20mm	24mm	
Ø = 12mm	Ø = 14mm	Ø = 20mm	Ø = 22mm	Ø = 26mm	Ø = 30mm	
GS1206-040	GS1407-040	GS2009-040	GS2210-040	GS2611-040	GS3013-040	
GS1206-045	GS1407-045	GS2009-045	GS2210-045	GS2611-045	GS3013-045	
GS1206-050	GS1407-050	GS2009-050	GS2210-050	GS2611-050	GS3013-050	
GS1206-055	GS1407-055	GS2009-055	GS2210-055	GS2611-055	GS3013-055	
GS1206-060	GS1407-060	GS2009-060	GS2210-060	GS2611-060	GS3013-060	

The last three digits of the article number stand for the thickness of the sliding washer, e. g. GS1407-040. The thickness of this sliding washer is 0.40mm. In total, the sliding washers are available in five different thicknesses. The thickness of a sliding washer is indicated by the markings. For example, a sliding washer with two notches is 0.40mm thick, whereas a sliding washer with one notch is 0.55mm thick.



→ You will find the system stirrup plug + go modularity on catalogue page C20.9f.

→ You will find system side bars and system anchors on catalogue page J1ff.



Spring Unit Case		
Item	Article Number	Description
1	SF5800	1 x spring unit set in a case with tools
w/o fig.	SF5800-0	1 x spring unit case for filling by yourself, with tools (without spring units)
1a	see table spring units	2 x of each blue, green, white, yellow and red spring unit for NEURO SWING 10mm
1b	see table spring units	2 x of each blue, green, white, yellow and red spring unit for NEURO SWING 12mm
1c	see table spring units	2 x of each blue, green, white, yellow and red spring unit for NEURO SWING 14mm
1d	see table spring units	2 x of each blue, green, white, yellow and red spring unit for NEURO SWING 16mm
1e	see table spring units	2 x of each blue, green, white, yellow and red spring unit for NEURO SWING 20mm
1f	WZ5703-3513	1 x slotted screwdriver 0.6 x 3.5 x 100mm
1g	WZ5112-4010	1 x hexagonal screwdriver with spherical head, 4 x 100mm
1h	WZ5112-5010	1 x hexagonal screwdriver with spherical head, 5 x 100mm

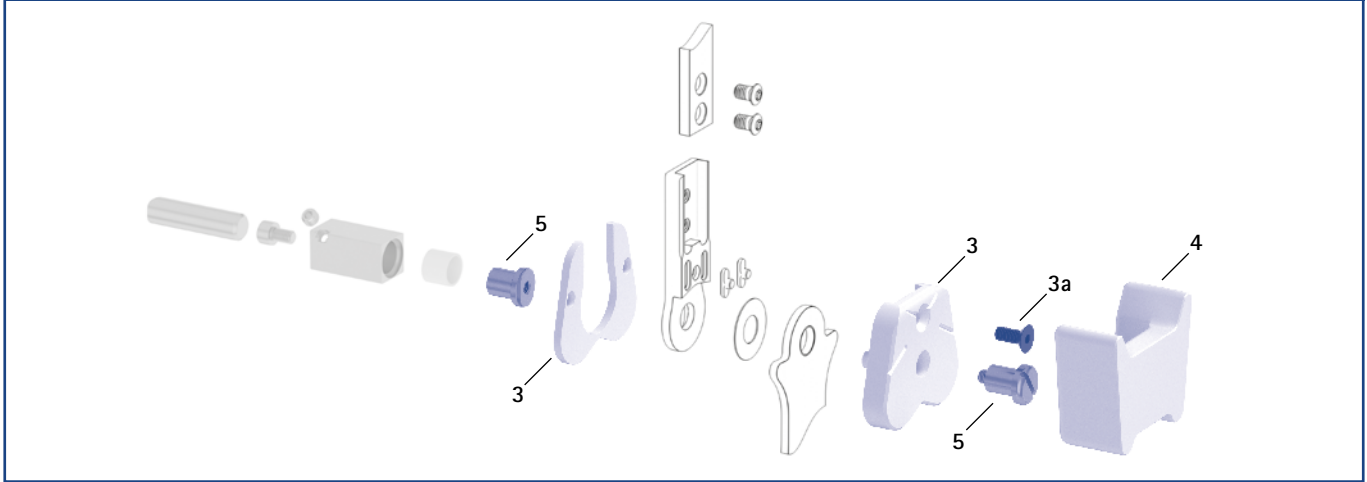
➔ The spring units for the 24mm system width are not included in the case.

Spring Units (You Need Two of the Following Spring Units for One NEURO SWING System Ankle Joint):							
		Article Number for System Width				Description	Unit
10mm	12mm	14mm	16mm	20mm	24mm		
SF5800-15/02	SF5801-15/03	SF5802-15/05	SF5803-15/07	SF5805-15/18	SF5807-15/12	spring unit, blue, normal, max. 15° range of motion	piece
SF5800-15/04	SF5801-15/06	SF5802-15/11	SF5803-15/15	SF5805-15/25	SF5807-15/25	spring unit, green, medium, max. 15° range of motion	piece
SF5800-10/06	SF5801-10/12	SF5802-09/16	SF5803-10/21	SF5805-10/40	SF5807-10/53	spring unit, white, strong, max. 10° range of motion	piece
SF5800-10/09	SF5801-10/19	SF5802-10/29	SF5803-10/31	SF5805-10/60	SF5807-10/80	spring unit, yellow, very strong, max. 10° range of motion	piece
SF5800-05/17	SF5801-05/33	SF5802-05/53	SF5803-05/63	SF5805-05/99	SF5807-05/99	spring unit, red, extra strong, max. 5° range of motion	piece

Spare Parts Spring Units							
		Article Number for System Width				Description	
Item	10mm	12mm	14mm	16mm	20mm		24mm
2	VE3771-045/10	VE3771-06/10	VE3771-07/10	VE3771-08/10	VE3771-11/10	VE3771-140/10	O-ring for securing the spring unit

Spring Units Weights [g]								
Spring Unit	Article Number	System Width						
		10mm	12mm	14mm	16mm	20mm	24mm	
spring unit, blue, normal, max. 15° range of motion	see table spring units	3	6	7	11	33	39	
spring unit, green, medium, max. 15° range of motion	see table spring units	3	8	14	21	34	46	
spring unit, white, strong, max. 10° range of motion	see table spring units	3	9	17	26	49	85	
spring unit, yellow, very strong, max. 10° range of motion	see table spring units	4	9	17	30	57	97	
spring unit, red, extra strong, max. 5° range of motion	see table spring units	4	10	19	29	60	99	

Assembly/Lamination Dummies, Shaping Dummy and Joint Retainers (3, 4, 5)



Assembly/Lamination Dummies, Shaping Dummy and Joint Retainers

Item	Article Number for System Width						Description	Unit
	10mm	12mm	14mm	16mm	20mm	24mm		
3	SF0950-LR1	SF0951-LR1	SF0952-LR1	SF0953-LR1	SF0955-5LR1	SF0957-LR1	assembly/lamination dummy, two parts (2 dummies with screw)	set
3a	SC1053-L08	SC1054-L10	SC1055-L12	SC1055-L12	SC1055-L12	SC1056-L16	countersunk flat head screw with hexagon socket	piece
4	SF0950-LR2	SF0951-LR2	SF0952-LR2	SF0953-LR2	SF0955-5LR2	SF0957-LR2	shaping dummy	piece
5	PE1010-01/LR	PE1011-01/LR	PE1012-LR	PE1013-LR	PE1025-LR	PE1127-LR	joint retainer	piece
	1/Y	2/Z	4/B	5/C	7/C	11/D	laser marking	-

- ➔ Assembly/lamination dummies are included in the scope of delivery of the system joints.
- ➔ You will find an overview of our tools on catalogue page K1ff.
- ➔ You will also find the joint retainers and the corresponding laser markings in the tool case on the catalogue pages K13 and K14.

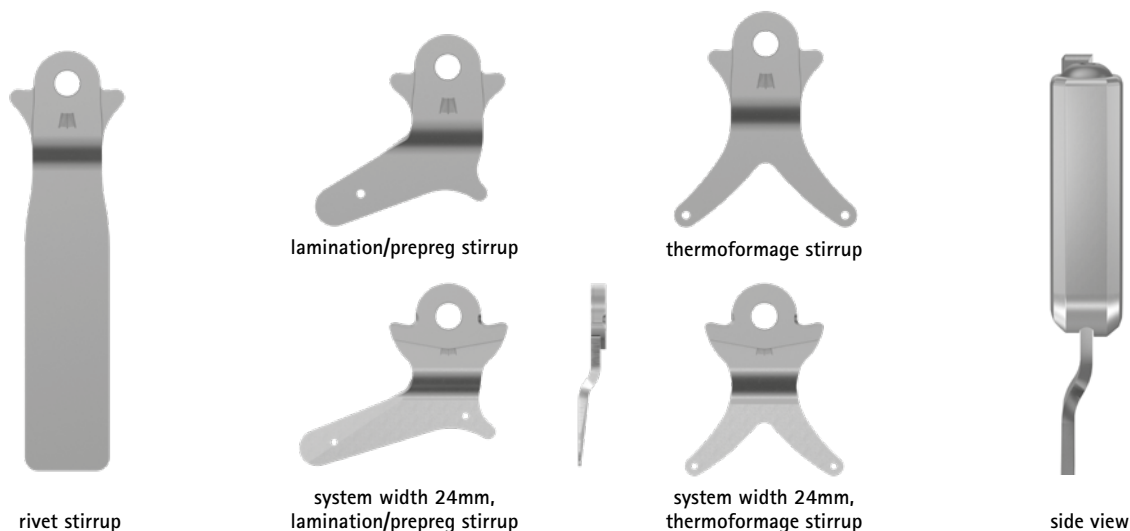
Cover Plate Pressing Aid

Item	Article Number for System Width						Description	Unit
	10mm	12mm	14mm	16mm	20mm	24mm		
6	WE5000-SF	WE5001-SF	WE5002-SF	WE5002-SF	WE5002-SF	WE5007-SF	cover plate pressing aid (pressing screw and washer)	set

- ➔ The cover plate pressing aid is included in the scope of delivery of the system joints.

Cover Plate Pressing Aid (6)





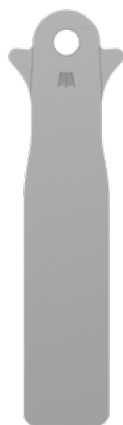
General Measures of the System Stirrups plug + go Modularity

Measure [mm]	System Width					
	10mm	12mm	14mm	16mm	20mm	24mm
thickness	2.0	2.0	2.5	3.0	3.0	4.5
neck width	16.0	19.4	23.2	26.6	30.8	32.5
bore hole diameter	6.0	7.0	8.5	9.6	10.5	12.5

➔ The system stirrups in the system width 24mm are not equipped with plug + go modularity.

Bent

Description	Leg/Leg Side	Unit	Article Number and Measures for System Width					
			10mm	12mm	14mm	16mm	20mm	24mm
rivet stirrup	left or right	piece	FB5070-LR/ST3	FB5071-LR/ST3	FB5082-LR/ST4	FB5093-LR/ST4	FB5015-LR/ST5	-
length from the middle of the bore hole [mm]			104	112	124	144	164	-
weight [g]			33	43	69	112	143	-
lamination/prepreg stirrup	left lateral or right medial	piece	FB5170-L/ST1	FB5171-L/ST1	FB5182-L/ST1	FB5193-L/ST1	FB5115-L/ST1	FB5137-L/TI2
	left medial or right lateral		FB5170-R/ST1	FB5171-R/ST1	FB5182-R/ST1	FB5193-R/ST1	FB5115-R/ST1	FB5137-R/TI2
length from the middle of the bore hole [mm]			28	40	54	64	68	71
weight [g]			10	16	32	53	70	78
thermoformage stirrup	left or right	piece	FB5270-LR/ST2	FB5271-LR/ST2	FB5282-LR/ST2	FB5293-LR/ST2	FB5215-LR/ST3	FB5237-LR/TI4
length from the middle of the bore hole [mm]			49	54	61	67	73	74
weight [g]			14	19	34	53	66	72



rivet stirrup



lamination/prepreg stirrup

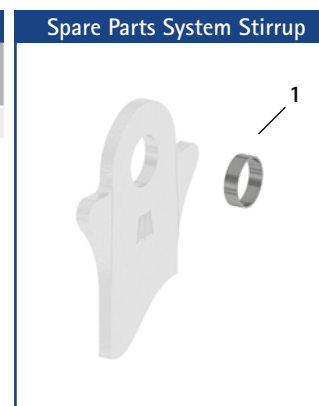


thermoformage stirrup

Straight							
Description	Unit	Article Number and Measures for System Width					
		10mm	12mm	14mm	16mm	20mm	24mm
rivet stirrup	piece	FB5070-ST/3	FB5071-ST/3	FB5082-ST/4	FB5093-ST/4	FB5015-ST/5	-
length from the middle of the bore hole [mm]		105	113	125	145	165	-
weight [g]		33	43	69	112	143	-
lamination/prepreg stirrup	piece	FB5170-ST/1	FB5171-ST/1	FB5182-ST/1	FB5193-ST/1	FB5115-ST/1	-
length from the middle of the bore hole [mm]		29	41	55	65	69	-
weight [g]		10	16	32	53	70	-
thermoformage stirrup	piece	FB5270-ST/2	FB5271-ST/2	FB5282-ST/2	FB5293-ST/2	FB5215-ST/3	-
length from the middle of the bore hole [mm]		50	55	62	68	74	-
weight [g]		14	19	34	53	66	-

Spare Parts System Stirrup							
Item	Article Number for System Width						Description
	10mm	12mm	14mm	16mm	20mm	24mm	
1	BP0706-L020	BR0807-L020	BR1009-L025	BR1110-L030	BR1211-L030	BR1413-L070	sliding bushing

➔ All system stirrups of the NEURO SWING system ankle joint are delivered with an integrated sliding bushing.



➔ The system stirrup is marked with lines in the neck area in order to read the joint angle.

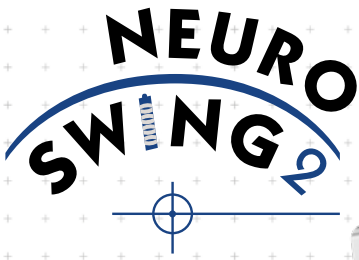
Information for Processing



Rivet Stirrup:
➔ This system stirrup is riveted to the foot piece.

Lamination/Prepreg Stirrup:
➔ This system stirrup is embedded into the laminate of the foot piece.

Thermoformage Stirrup:
➔ This system stirrup is embedded into thermoformable plastics, but can be embedded into laminates as well.

Clamping aid for system stirrup for system width 24mm:
➔ Due to the clamping aid for system stirrup, the system stirrup is not deformed during bending. The clamping aid for system stirrup is included in the scope of delivery of the system stirrup for system width 24mm. You will find further information on the steps on the FIOR & GENTZ website in the "Online Tutorials" section.



	Dorsiflexion Stop	Plantar Flexion Stop
Main Function	 <p>dynamic</p>	 <p>dynamic (with dorsiflexion assist)</p>
Adjustment Options	adjustable, variable spring force by exchanging the spring unit	adjustable, variable spring force by exchanging the spring unit
Other Functions	static by adjusting the motion limiting screw	static by adjusting the motion limiting screw

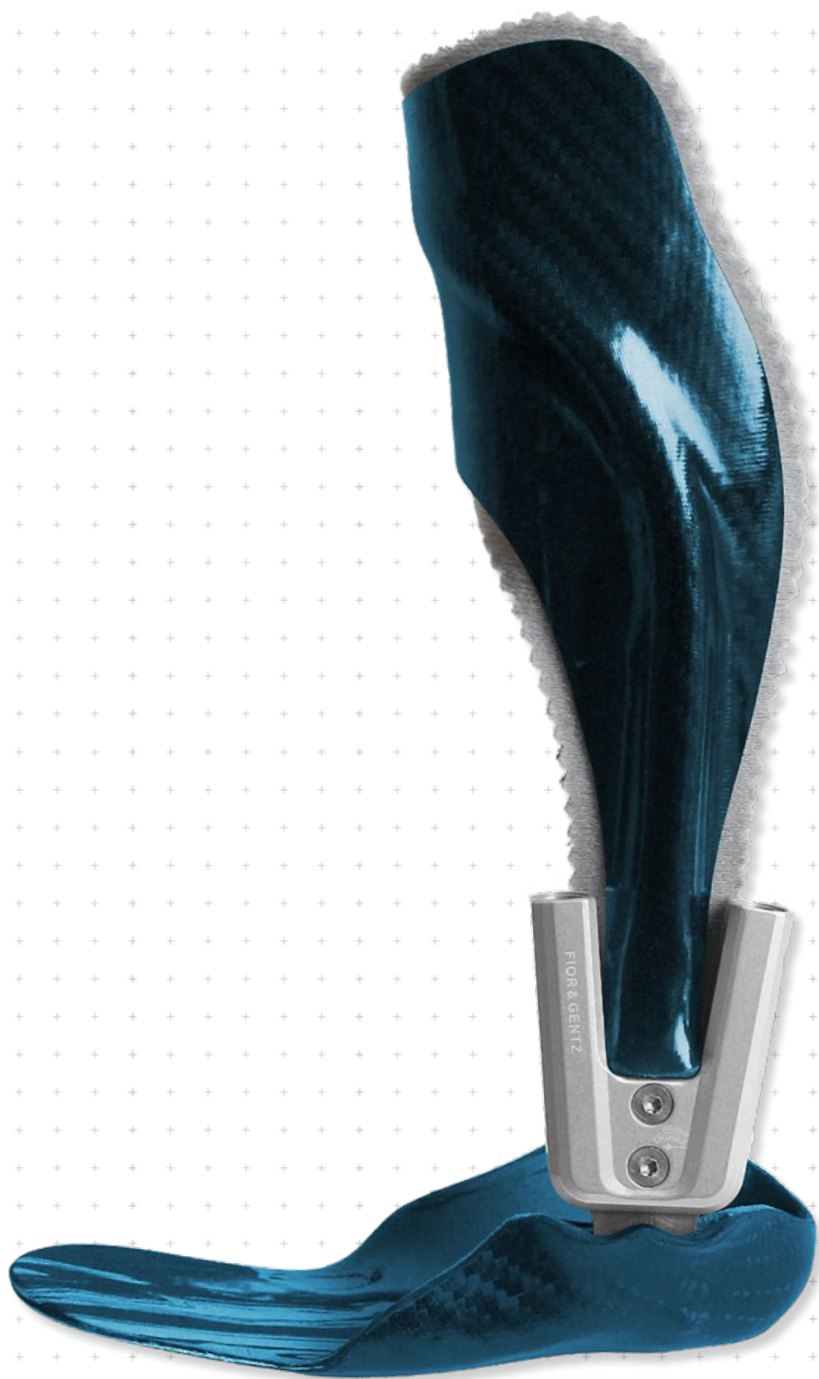
The NEURO SWING 2 system ankle joint comes with integrated noise reduction.

The NEURO SWING 2 system ankle joint can be converted into the NEURO CLASSIC system ankle joint free moving by optionally filing the system stirrup and by exchanging the the functional unit.

The NEURO CLASSIC with plug + go modularity can be used as supporting joint for the NEURO SWING 2 system ankle joint.



The NEURO SWING 2 system ankle joint can be converted into the NEURO CLASSIC with plug + go modularity, NEURO VARIO-CLASSIC 2, NEURO VARIO 2, NEURO VARIO-SPRING 2, NEURO VARIO-SWING, NEURO SWING, NEURO SWING-CLASSIC and NEURO HiSWING system ankle joints by exchanging the functional unit and in the case of the NEURO HiSWING by mounting the spirit level as well.



NEURO SWING-CLASSIC

NEURO SWING

NEURO SWING 2

NEURO HISWING

NEURO SWING Carbon



10mm

12mm

14mm

16mm

20mm

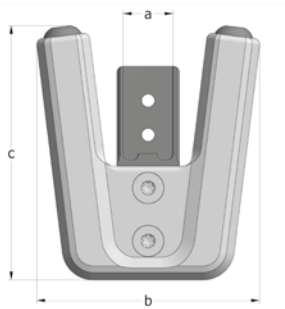
Joint Dimensions [mm]

Dimension	Description	System Width a				
		10mm	12mm	14mm	16mm	20mm
b	joint head width	41.5	50	59	71	84
c	joint height	50	61	66	79	89
	joint thickness	10	12	14	17	20

Joint Weights* [g]

Material	Unit	System Width				
		10mm	12mm	14mm	16mm	20mm
steel	piece	37	61	95	145	218
titanium	piece	-	52	81	125	189

* without spring units



The NEURO SWING 2 system ankle joint is delivered with the following articles:

- cover plate pressing aid
- orthosis joint grease, 3g
- assembly/lamination dummy

- ➔ Please order spring units, shaping dummy, system stirrups and system side bars/anchors separately.
- ➔ You will find spring units on catalogue page C30.7.
- ➔ You will find the shaping dummy on catalogue page C30.8.
- ➔ You will find system stirrups plug + go modularity on catalogue page C30.9f.
- ➔ You will find system side bars/anchors on catalogue page I1ff.



straight
fig. 1



bent inwards
fig. 2



bent outwards
fig. 3

Straight (Fig. 1)

Material	Leg	Unit	Article Number for System Width				
			10mm	12mm	14mm	16mm	20mm
steel	left or right	piece	SH5200-ST/LR	SH5201-ST/LR	SH5202-ST/LR	SH5203-ST/LR	SH5205-ST/LR
titanium	left or right	piece	-	SH5201-TI/LR	SH5202-TI/LR	SH5203-TI/LR	SH5205-TI/LR

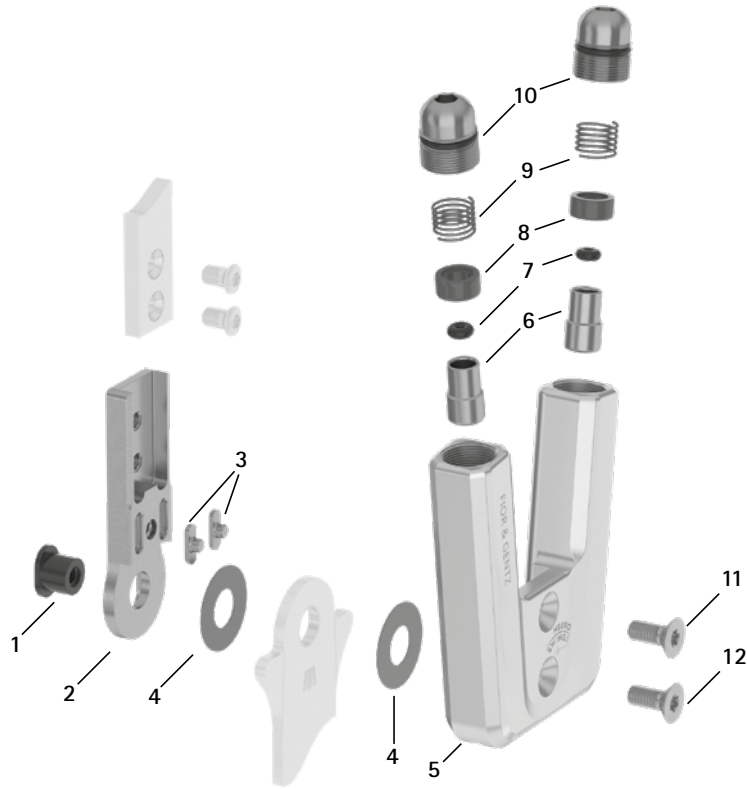
Bent Inwards (Fig. 2)

Material	Leg	Unit	Article Number for System Width				
			10mm	12mm	14mm	16mm	20mm
steel	left or right	piece	SH5220-ST/LR	SH5221-ST/LR	SH5222-ST/LR	SH5223-ST/LR	SH5225-ST/LR
titanium	left or right	piece	-	SH5221-TI/LR	SH5222-TI/LR	SH5223-TI/LR	SH5225-TI/LR

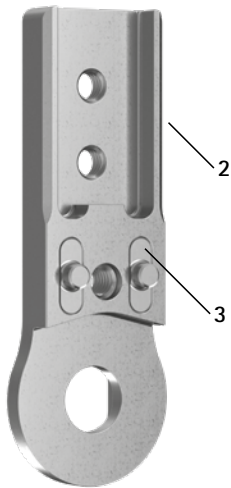
Bent Outwards (Fig. 3)

Material	Leg	Unit	Article Number for System Width				
			10mm	12mm	14mm	16mm	20mm
steel	left or right	piece	SH5240-ST/LR	SH5241-ST/LR	SH5242-ST/LR	SH5243-ST/LR	SH5245-ST/LR
titanium	left or right	piece	-	SH5241-TI/LR	SH5242-TI/LR	SH5243-TI/LR	SH5245-TI/LR

Spare Parts



Upper Part with Feather Keys, Preassembled (2-3)



Spare Parts Screw Unit (10)



Spare Parts						
Item	Article Number for System Width					Description
	10mm	12mm	14mm	16mm	20mm	
1	SB6039-L0580*	SB7049-L0590*	SB8559-L0630*	SB9669-L0760*	SB1069-L0960*	bearing nut*
2-3	SF0310-P/ST	SF0311-P/ST	SF0312-P/ST	SF0313-P/ST	SF0315-P/ST	upper part with feather keys, straight, steel
2-3	-	SF0311-P/TI	SF0312-P/TI	SF0313-P/TI	SF0315-P/TI	upper part with feather keys, straight, titanium
2-3	SF0330-P/ST	SF0331-P/ST	SF0332-P/ST	SF0333-P/ST	SF0335-P/ST	upper part with feather keys, bent inwards, steel
2-3	-	SF0331-P/TI	SF0332-P/TI	SF0333-P/TI	SF0335-P/TI	upper part with feather keys, bent inwards, titanium
2-3	SF0330-8P/ST	SF0331-8P/ST	SF0332-8P/ST	SF0333-8P/ST	SF0335-8P/ST	upper part with feather keys, bent outwards, steel
2-3	-	SF0331-8P/TI	SF0332-8P/TI	SF0333-8P/TI	SF0335-8P/TI	upper part with feather keys, bent outwards, titanium
3	SF0390-01	SF0391-01	SF0392-02	SF0393-02	SF0395-02	feather key with pin
4	GS1206-**	GS1407-**	GS2009-**	GS2210-**	GS2611-**	sliding washer**
5	SH0560-AL	SH0561-AL	SH0562-AL	SH0563-AL	SH0565-AL	cover plate
6	SH0490-01	SH0491-01	SH0492-01	SH0493-01	SH0493-01	plunger
7	PN0003-L02	PN0004-L02	-	-	-	stop damper
7	-	-	VE3771-010/20	VE3771-012/26	VE3771-012/26	O-ring damper
8	GS0604-350	GS0705-525	GS1007-350	GS1108-500	GS1108-500	sliding bushing
9	FE1615-01	FE1611-01	FE1916-01	FE1027-01	FE1027-01	coil spring
10	SC9609-L13	SC9611-L14	SC9612-L15	SC9614-L17	SC9618-L17	screw unit
10a	VE3771-06/11	VE3771-08/15	VE3771-09/15	VE3771-11/15	VE3771-125/15	O-ring for securing the alignment screw
10b	SC9609-L13/S	SC9611-L14/T	SC9612-L15/T	SC9614-L17/T	SC9618-L17/T	alignment screw
10c	VE3771-03/10	VE3771-04/10	VE3771-04/10	VE3771-04/10	VE3771-07/10	O-ring for securing the motion limiting screw
10d	SC9606-L05	SC9607-L06	SC9607-L06	SC9607-L06	SC9611-L06	motion limiting screw
11	SC1403-L08	SC1404-L10	SC1405-L11	SC1405-L12	SC1405-L14	countersunk flat head screw with hexalobular socket
12	SC1403-L08	SC1404-L10	SC1405-L11	SC1405-L12	SC1406-L14	countersunk flat head screw with hexalobular socket (axle screw)
5-12	SH5970-AL*	SH5971-AL*	SH5972-AL*	SH5973-AL*	SH5975-AL*	functional unit plug + go modularity*

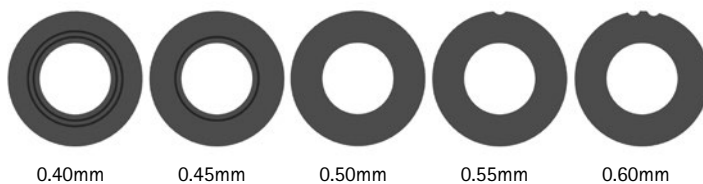
* For a conversion from the NEURO CLASSIC with plug + go modularity, this longer bearing nut is required in addition to the functional unit (see item 1).

Feather Key Set						
Item	Article Number for System Width					Description
	10mm	12mm	14mm	16mm	20mm	
w/o fig.	SF0390	SF0391	SF0392	SF0393	SF0395	feather key set

→ The feather key set contains two feather keys with pin and the outer assembly/lamination dummy to make pressing easier. You can order the set if the feather keys have to be exchanged.

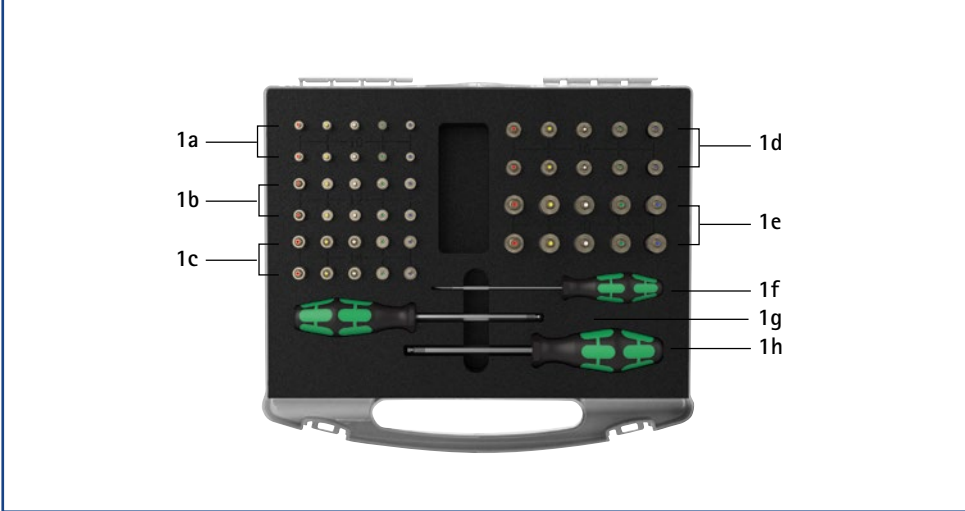
** Sliding Washers					
Article Number for System Width					
10mm	12mm	14mm	16mm	20mm	
Ø = 12mm	Ø = 14mm	Ø = 20mm	Ø = 22mm	Ø = 26mm	
GS1206-040	GS1407-040	GS2009-040	GS2210-040	GS2611-040	
GS1206-045	GS1407-045	GS2009-045	GS2210-045	GS2611-045	
GS1206-050	GS1407-050	GS2009-050	GS2210-050	GS2611-050	
GS1206-055	GS1407-055	GS2009-055	GS2210-055	GS2611-055	
GS1206-060	GS1407-060	GS2009-060	GS2210-060	GS2611-060	

The last three digits of the article number stand for the thickness of the sliding washer, e.g. GS1407-040. The thickness of this sliding washer is 0.40mm. In total, the sliding washers are available in five different thicknesses. The thickness of a sliding washer is indicated by the markings. For example, a sliding washer with two notches is 0.40mm thick, whereas a sliding washer with one notch is 0.55mm thick.

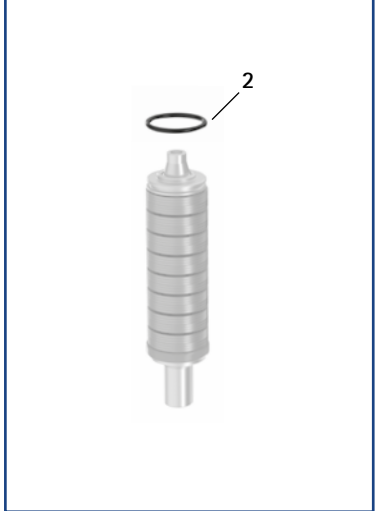


- You will find system stirrups plug + go modularity on catalogue page C30.9f.
- You will find the system side bars and system anchors on catalogue page I1ff.

Spring Unit Case (1)



Spare Parts Spring Unit



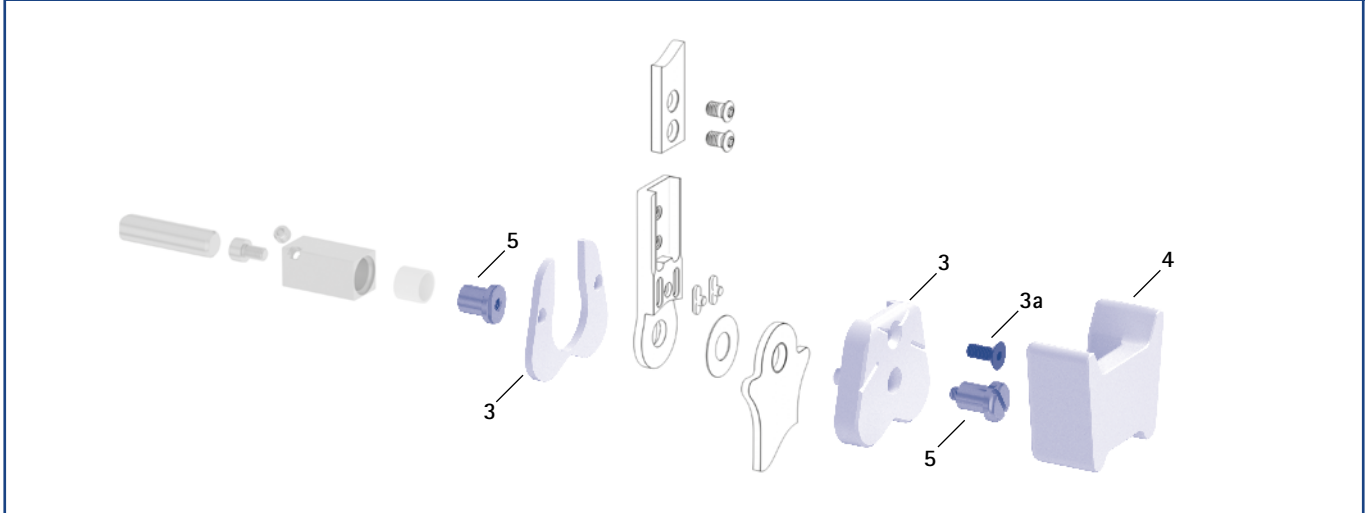
Spring Unit Case		
Item	Article Number	Description
1	SH5800	1 x spring unit set in a case with tools
w/o fig.	SH5800-0	1 x spring unit case for filling by yourself, with tools (without spring units)
1a	see table spring units	2 x of each blue, green, white, yellow and red spring unit for NEURO SWING 2, 10mm
1b	see table spring units	2 x of each blue, green, white, yellow and red spring unit for NEURO SWING 2, 12mm
1c	see table spring units	2 x of each blue, green, white, yellow and red spring unit for NEURO SWING 2, 14mm
1d	see table spring units	2 x of each blue, green, white, yellow and red spring unit for NEURO SWING 2, 16mm
1e	see table spring units	2 x of each blue, green, white, yellow and red spring unit for NEURO SWING 2, 20mm
1f	WZ5703-3513	1 x slotted screwdriver 0.6 x 3.5 x 100mm
1g	WZ5112-4010	1 x hexagonal screwdriver with spherical head, 4 x 100mm
1h	WZ5112-5010	1 x hexagonal screwdriver with spherical head, 5 x 100mm

Spring Units (You Need Two of the Following Spring Units for One NEURO SWING 2 System Ankle Joint):						
Article Number for System Width					Description	Unit
10mm	12mm	14mm	16mm	20mm		
SH5800-15/02	SH5801-15/03	SH5802-15/05	SH5803-15/07	SH5805-15/18	spring unit, blue, normal, max. 15° range of motion	piece
SH5800-15/04	SH5801-15/06	SH5802-15/11	SH5803-15/15	SH5805-15/25	spring unit, green, medium, max. 15° range of motion	piece
SH5800-10/06	SH5801-10/12	SH5802-09/16	SH5803-10/21	SH5805-10/40	spring unit, white, strong, max. 10° range of motion	piece
SH5800-10/09	SH5801-10/19	SH5802-10/29	SH5803-10/31	SH5805-10/60	spring unit, yellow, very strong, max. 10° range of motion	piece
SH5800-05/17	SH5801-05/33	SH5802-05/53	SH5803-05/63	SH5805-05/99	spring unit, red, extra strong, max. 5° range of motion	piece

Spare Parts Spring Units						
Item	Article Number for System Width					Description
	10mm	12mm	14mm	16mm	20mm	
2	VE3771-045/10	VE3771-06/10	VE3771-07/10	VE3771-08/10	VE3771-11/10	O-ring for securing the spring unit

Spring Units Weights [g]							
Spring Unit	Article Number	System Width					
		10mm	12mm	14mm	16mm	20mm	
spring unit, blue, normal, max. 15° range of motion	see table spring units	3	7	8	13	36	
spring unit, green, medium, max. 15° range of motion	see table spring units	4	9	16	24	41	
spring unit, white, strong, max. 10° range of motion	see table spring units	4	10	19	29	52	
spring unit, yellow, very strong, max. 10° range of motion	see table spring units	4	10	19	32	61	
spring unit, red, extra strong, max. 5° range of motion	see table spring units	5	11	20	32	64	

Assembly/Lamination Dummies, Shaping Dummy and Joint Retainers (3, 4, 5)



Assembly/Lamination Dummies, Shaping Dummy and Joint Retainers

Item	Article Number for System Width					Description	Unit
	10mm	12mm	14mm	16mm	20mm		
3	SF0950-LR1	SF0951-LR1	SF0952-LR1	SF0953-LR1	SF0955-5LR1	assembly/lamination dummy, two parts (2 dummies with screw)	set
3a	SC1053-L08	SC1054-L10	SC1055-L12	SC1055-L12	SC1055-L12	countersunk flat head screw with hexagon socket	piece
4	SF0950-LR2	SF0951-LR2	SF0952-LR2	SF0953-LR2	SF0955-5LR2	shaping dummy	piece
5	PE1010-01/LR	PE1011-01/LR	PE1012-LR	PE1013-LR	PE1025-LR	joint retainer	piece
	1/Y	2/Z	4/B	5/C	7/C	laser marking	-

- ➔ Assembly/lamination dummies are included in the scope of delivery of the system joints.
- ➔ You will find an overview of our tools on catalogue page J1ff.
- ➔ You will also find the joint retainers and the corresponding laser markings in the tool case on the catalogue pages J13 and J14.

Cover Plate Pressing Aid

Item	Article Number for System Width					Description	Unit
	10mm	12mm	14mm	16mm	20mm		
6	WE5000-SF	WE5001-SF	WE5002-SF	WE5002-SF	WE5002-SF	cover plate pressing aid (pressing screw and washer)	set

- ➔ The cover plate pressing aid is included in the scope of delivery of the system joints.

Cover Plate Pressing Aid (6)



System Stirrups plug + go Modularity – Bent

NEURO SWING-CLASSIC



rivet stirrup



lamination/prepreg stirrup



thermoformage stirrup



side view

NEURO SWING

General Measures of the System Stirrups plug + go Modularity

Measure [mm]	System Width				
	10mm	12mm	14mm	16mm	20mm
thickness	2.0	2.0	2.5	3.0	3.0
neck width	16.0	19.4	23.2	26.6	30.8
bore hole diameter	6.0	7.0	8.5	9.6	10.5

NEURO SWING 2

Bent

Description	Leg/Leg Side	Unit	Article Number and Measures for System Width				
			10mm	12mm	14mm	16mm	20mm
rivet stirrup	left or right	piece	FB5070-LR/ST3	FB5071-LR/ST3	FB5082-LR/ST4	FB5093-LR/ST4	FB5015-LR/ST5
length from the middle of the bore hole [mm]			104	112	124	144	164
weight [g]			33	43	69	112	143
lamination/prepreg stirrup	left lateral or right medial	piece	FB5170-L/ST1	FB5171-L/ST1	FB5182-L/ST1	FB5193-L/ST1	FB5115-L/ST1
	left medial or right lateral		FB5170-R/ST1	FB5171-R/ST1	FB5182-R/ST1	FB5193-R/ST1	FB5115-R/ST1
length from the middle of the bore hole [mm]			28	40	54	64	68
weight [g]			10	16	32	53	70
thermoformage stirrup	left or right	piece	FB5270-LR/ST2	FB5271-LR/ST2	FB5282-LR/ST2	FB5293-LR/ST2	FB5215-LR/ST3
length from the middle of the bore hole [mm]			49	54	61	67	73
weight [g]			14	19	34	53	66

NEURO HISWING

NEURO SWING Carbon



rivet stirrup



lamination/prepreg stirrup



thermoformage stirrup

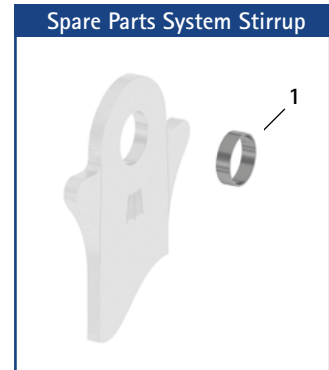
Straight

Description	Unit	Article Number and Measures for System Width				
		10mm	12mm	14mm	16mm	20mm
rivet stirrup	piece	FB5070-ST/3	FB5071-ST/3	FB5082-ST/4	FB5093-ST/4	FB5015-ST/5
length from the middle of the bore hole [mm]		105	113	125	145	165
weight [g]		33	43	69	112	143
lamination/prepreg stirrup	piece	FB5170-ST/1	FB5171-ST/1	FB5182-ST/1	FB5193-ST/1	FB5115-ST/1
length from the middle of the bore hole [mm]		29	41	55	65	69
weight [g]		10	16	32	53	70
thermoformage stirrup	piece	FB5270-ST/2	FB5271-ST/2	FB5282-ST/2	FB5293-ST/2	FB5215-ST/3
length from the middle of the bore hole [mm]		50	55	62	68	74
weight [g]		14	19	34	53	66

Spare Parts System Stirrup

Item	Article Number for System Width					Description
	10mm	12mm	14mm	16mm	20mm	
1	BP0706-L020	BR0807-L020	BR1009-L025	BR1110-L030	BR1211-L030	sliding bushing

→ All system stirrups of the NEURO SWING 2 system ankle joint are delivered with an integrated sliding bushing.



Information for Processing

Rivet Stirrup:

→ This system stirrup is riveted to the foot piece.

Lamination/Prepreg Stirrup:

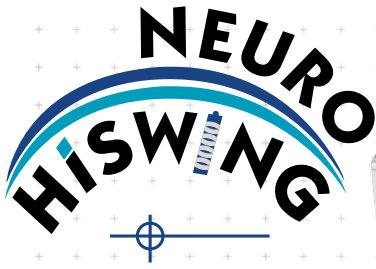
→ This system stirrup is embedded into the laminate of the foot piece.



Thermoformage Stirrup:

→ This system stirrup is embedded into thermoformable plastics, but can be embedded into laminates as well.



→ The system stirrup is marked with lines in the neck area in order to read the joint angle.



	Dorsiflexion Stop	Plantar Flexion Stop
Main Function	 <p>dynamic</p>	 <p>dynamic (with dorsiflexion assist)</p>
Adjustment Options	adjustable, variable spring force by exchanging the spring unit	adjustable, variable spring force by exchanging the spring unit
Other Functions for the Patient	<p>Via the lever, the patient can infinitely adjust the angle of the ankle joint by +/-17°. Using the spirit level, they take the orthosis' alignment determined by the orthotist into account.</p> <ul style="list-style-type: none"> adjusting the ankle joint angle: <ul style="list-style-type: none"> - to the conditions of the terrain - to the heel height of different shoes - for walking without shoes extension of the range of motion to increase comfort when sitting 	

The hydraulic NEURO HiSWING system ankle joint comes with integrated noise reduction.

The NEURO HiSWING system ankle joint can be converted into the NEURO CLASSIC system ankle joint free moving by optionally filling the system stirrup and by exchanging the functional unit.

The NEURO CLASSIC with plug + go modularity can be used as supporting joint for the NEURO HiSWING system ankle joint.



The NEURO HiSWING system ankle joint can be converted into the NEURO CLASSIC with plug + go modularity, NEURO VARIO-CLASSIC 2, NEURO VARIO 2, NEURO VARIO-SPRING 2, NEURO VARIO-SWING, NEURO SWING, NEURO SWING-CLASSIC and NEURO SWING 2 system ankle joints by exchanging the functional unit.



NEURO SWING-CLASSIC

NEURO SWING

NEURO SWING 2

NEURO HISWING

NEURO SWING Carbon



16 mm

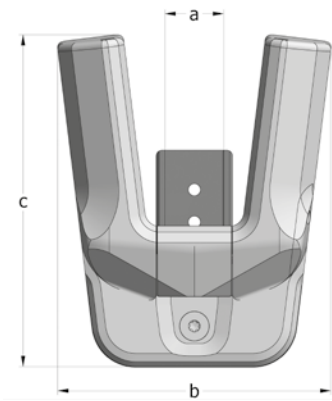


20 mm

Joint Dimensions [mm]			
Dimension	Description	System Width a	
		16mm	20mm
b	joint head width	79	93
c	joint height	100	113
	joint thickness	28	33

Joint Weights* [g]			
Material	Unit	System Width	
		16mm	20mm
titanium	piece	235	385

* without spring units



The NEURO HiSWING system ankle joint is delivered with the following articles:
functional unit
spirit level
cover plate pressing aid
orthosis joint grease, 3g
assembly/lamination dummy for system ankle joint
assembly/lamination dummy for spirit level

- ➔ Please order spring units, shaping dummy, system stirrups and system side bars/anchors separately.
- ➔ You will find spring units on catalogue page C40.7.
- ➔ You will find the shaping dummy on catalogue page C40.8.
- ➔ You will find system stirrups plug + go modularity on catalogue page C40.9f.
- ➔ You will find system side bars/anchors on catalogue page I1ff.



straight
fig. 1



bent inwards
fig. 2



bent outwards
fig. 3

Straight (Fig. 1)				
Material	Leg	Unit	Article Number for System Width	
			16mm	20mm
titanium	left or right	piece	SH7203-TI/LR	SH7205-TI/LR

Bent Inwards (Fig. 2)				
Material	Leg	Unit	Article Number for System Width	
			16mm	20mm
titanium	left or right	piece	SH7223-TI/LR	SH7225-TI/LR

Bent Outwards (Fig. 3)				
Material	Leg	Unit	Article Number for System Width	
			16mm	20mm
titanium	left or right	piece	SH7243-TI/LR	SH7245-TI/LR

NEURO SWING-CLASSIC

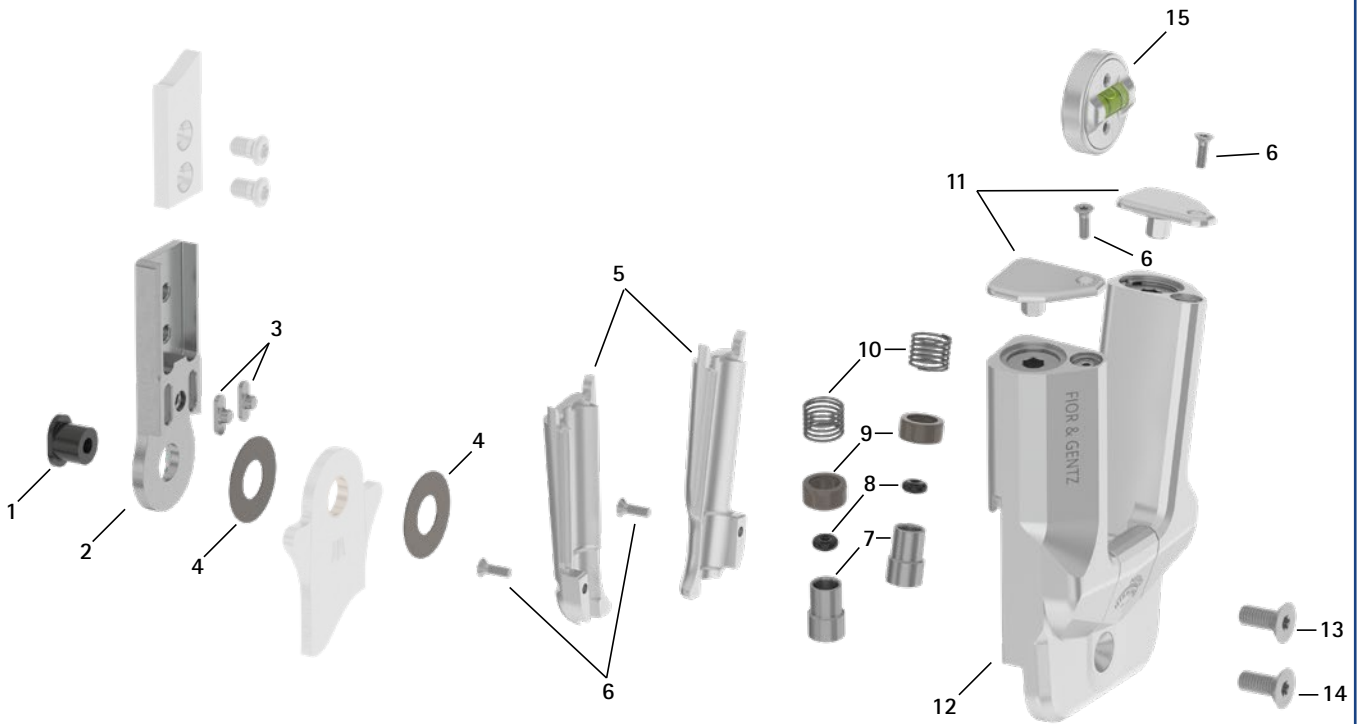
NEURO SWING

NEURO SWING 2

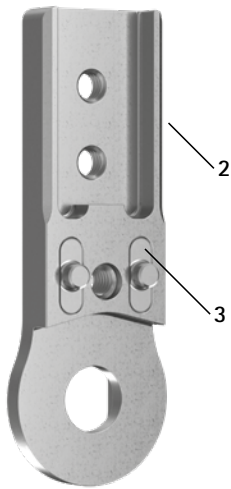
NEURO HiSWING

NEURO SWING Carbon

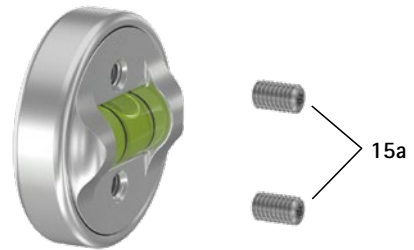
Spare Parts



Upper Part with Feather Keys, Preassembled (2-3)



Spare Parts Spirit Level (15)



Spare Parts			
Item	Article Number for System Width		Description
	16mm	20mm	
1	SB9669-L0760	SB1069-L0960	bearing nut
2-3	SF0313-P/TI	SF0315-P/TI	upper part with feather keys, straight, titanium
2-3	SF0333-P/TI	SF0335-P/TI	upper part with feather keys, bent inwards, titanium
2-3	SF0333-8P/TI	SF0335-8P/TI	upper part with feather keys, bent outwards, titanium
3	SF0393-02	SF0395-02	feather key with pin
4	GS2210-*	GS2611*	sliding washer*
5	SH0763-2/L	SH0765-2/L	spring unit cover, 20mm, left lateral or right medial
5	SH0763-2/R	SH0765-2/R	spring unit cover, 20mm, left medial or right lateral
6	SC1403-L08/1	SC1403-L08/1	countersunk flat head screw with hexalobular socket
7	SH0493-01	SH0493-01	plunger
8	VE3771-012/26	VE3771-012/26	O-ring damper
9	GS1108-500	GS1108-500	sliding bushing
10	FE1027-01	FE1027-01	coil spring
11	SH0763-3/L	SH0765-3/L	adjusting screw cover, 20mm, left lateral or right medial
11	SH0763-3/R	SH0765-3/R	adjusting screw cover, 20mm, left medial or right lateral
12	-	-	cover plate
13	SC1405-L12	SC1405-L14	countersunk flat head screw with hexalobular socket
14	SC1405-L12	SC1406-L14	countersunk flat head screw with hexalobular socket (axle screw)
5-14	SH7973-AL**	SH7975-AL**	functional unit plug + go modularity**
15	SH7805	SH7805	spirit level
15a	SC9403-L05	SC9403-L05	securing pin

** The functional unit is delivered fully assembled. The hydraulic system of the functional unit must not be opened. You can see from the exploded view drawing which parts of the functional unit may be disassembled. The spirit level is not part of the functional unit. Please order the spirit level for a joint conversion separately. For a conversion from the NEURO CLASSIC with plug + go modularity, this longer bearing nut is required in addition to the functional unit (see item 1).

Feather Key Set			
Item	Article Number for System Width		Description
	16mm	20mm	
w/o fig.	SF0393	SF0395	feather key set

→ The feather key set contains two feather keys with pin and the outer assembly/lamination dummy to make pressing easier. You can order the set if the feather keys have to be exchanged.

* Sliding Washers

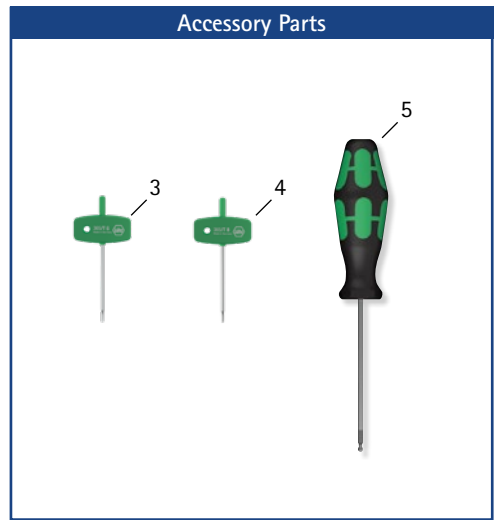
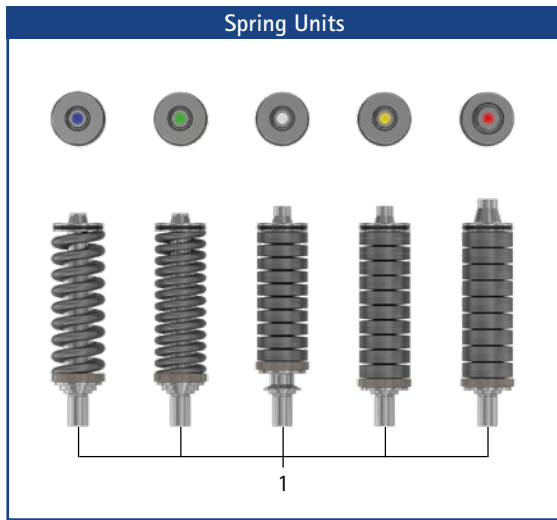
Article Number for System Width	
16mm	20mm
Ø = 22mm	Ø = 26mm
GS2210-040	GS2611-040
GS2210-045	GS2611-045
GS2210-050	GS2611-050
GS2210-055	GS2611-055
GS2210-060	GS2611-060

The last three digits of the article number stand for the thickness of the sliding washer, e.g. GS2611-040. The thickness of this sliding washer is 0.40mm. In total, the sliding washers are available in five different thicknesses. The thickness of a sliding washer is indicated by the markings. For example, a sliding washer with two notches is 0.40mm thick, whereas a sliding washer with one notch is 0.55mm thick.



- You will find system stirrups plug + go modularity on catalogue page C40.9f.
- You will find the system side bars and system anchors on catalogue page I1ff.

NEURO SWING-CLASSIC



NEURO SWING

Spring Units* (You Need Two of the Following Spring Units for One NEURO HiSWING System Ankle Joint):

Item	Article Number for System Width		Description	Unit
	16mm	20mm		
1	SH5803-15/07	SH5805-15/18	spring unit, blue, normal, max. 15° range of motion	piece
1	SH5803-15/15	SH5805-15/25	spring unit, green, medium, max. 15° range of motion	piece
1	SH5803-10/21	SH5805-10/40	spring unit, white, strong, max. 10° range of motion	piece
1	SH5803-10/31	SH5805-10/60	spring unit, yellow, very strong, max. 10° range of motion	piece
1	SH5803-05/63	SH5805-05/99	spring unit, red, extra strong, max. 5° range of motion	piece

* For the NEURO HiSWING system ankle joint 16mm and 20mm, the same spring units are required as for the NEURO SWING 2 system ankle joint 16mm and 20mm.

NEURO SWING 2

Spare Parts Spring Units

Item	Article Number for System Width		Description
	16mm	20mm	
2	VE3771-08/10	VE3771-11/10	O-ring for securing the spring unit

Spring Units Weights [g]

Spring Unit	Article Number	System Width	
		16mm	20mm
spring unit, blue, normal, max. 15° range of motion	see table spring units	13	36
spring unit, green, medium, max. 15° range of motion	see table spring units	24	41
spring unit, white, strong, max. 10° range of motion	see table spring units	29	52
spring unit, yellow, very strong, max. 10° range of motion	see table spring units	32	61
spring unit, red, extra strong, max. 5° range of motion	see table spring units	32	64

NEURO HiSWING

Accessory Parts

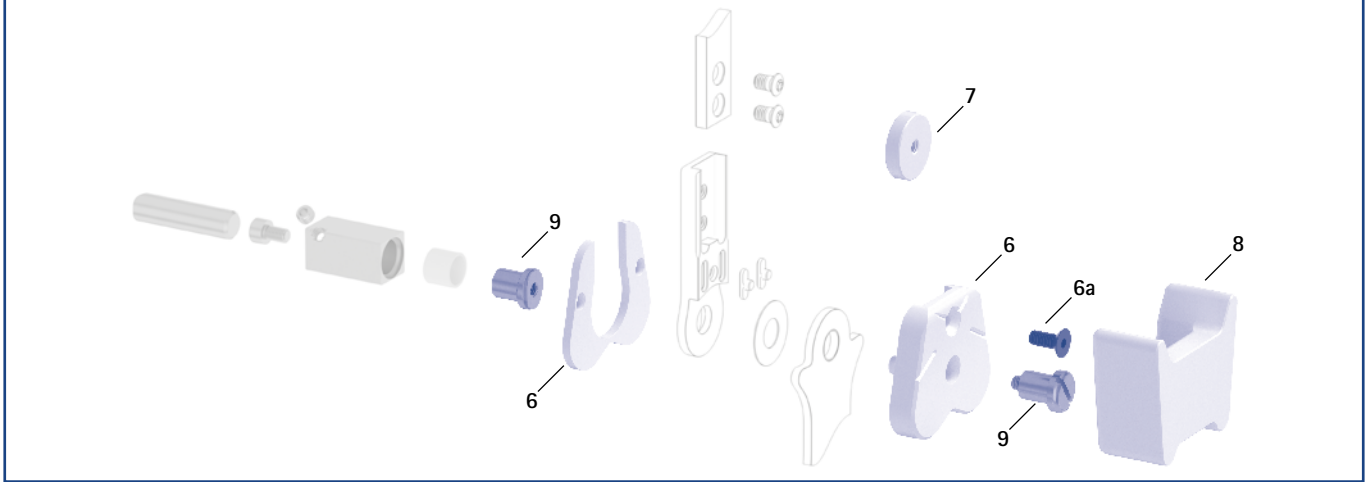
Item	Article Number	Description	Unit
3	WZ5114-T06	hexalobular screwdriver, T-handle, T6**	piece
4	WZ5114-T08	hexalobular screwdriver, T-handle, T8***	piece
5	WZ5112-5010	hexagonal screwdriver with spherical head, 5 x 100mm	piece

** is needed to screw the securing pins on the spirit level in and out

*** is needed to screw the countersunk flat head screws on the spring unit covers in and out

NEURO SWING Carbon

Assembly/Lamination Dummies, Shaping Dummy and Joint Retainers (6-7, 8, 9)



Assembly/Lamination Dummies, Shaping Dummy and Joint Retainers

Item	Article Number for System Width		Description	Unit
	16mm	20mm		
6	SF0953-LR1	SF0955-5LR1	assembly/lamination dummy, two parts (2 dummies with screw)	set
6a	SC1055-L12	SC1055-L12	countersunk flat head screw with hexagon socket	piece
7	SH0975-1	SH0975-1	assembly/lamination dummy for spirit level	piece
8	SF0953-LR2	SF0955-5LR2	shaping dummy	piece
9	PE1013-LR	PE1025-LR	joint retainer	piece
	5/C	7/C	laser marking	-

- ➔ Assembly/lamination dummies are included in the scope of delivery of the system joints.
- ➔ You will find an overview of our tools on catalogue page J1ff.
- ➔ You will also find the joint retainers and the corresponding laser markings in the tool case on the catalogue pages J13 and J14.

Cover Plate Pressing Aid

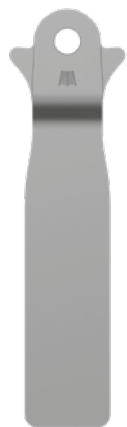
Item	Article Number for System Width		Description	Unit
	16mm	20mm		
10	WE5002-SF	WE5002-SF	cover plate pressing aid (pressing screw and washer)	set

- ➔ The cover plate pressing aid is included in the scope of delivery of the system joint.

Cover Plate Pressing Aid (10)



System Stirrups plug + go Modularity – Bent



rivet stirrup



lamination/prepreg stirrup



thermoformage stirrup



side view

General Measures of the System Stirrups plug + go Modularity

Measure [mm]	System Width	
	16mm	20mm
thickness	3.0	3.0
neck width	26.6	30.8
bore hole diameter	9.6	10.5

Bent

Description	Leg/Leg Side	Unit	Article Number and Measures for System Width	
			16mm	20mm
rivet stirrup	left or right	piece	FB5093-LR/ST4	FB5015-LR/ST5
length from the middle of the bore hole [mm]			144	164
weight [g]			112	143
lamination/prepreg stirrup	left lateral or right medial	piece	FB5193-L/ST1	FB5115-L/ST1
	left medial or right lateral		FB5193-R/ST1	FB5115-R/ST1
length from the middle of the bore hole [mm]			64	68
weight [g]			53	70
thermoformage stirrup	left or right	piece	FB5293-LR/ST2	FB5215-LR/ST3
length from the middle of the bore hole [mm]			67	73
weight [g]			53	66



rivet stirrup



lamination/prepreg stirrup

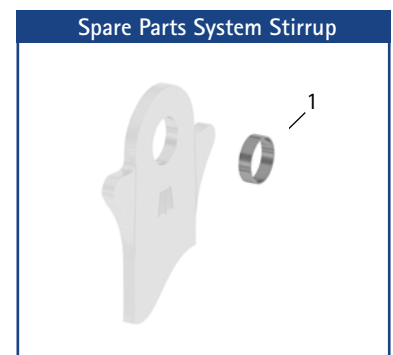


thermoformage stirrup

Straight			
Description	Unit	Article Number and Measures for System Width	
		16mm	20mm
rivet stirrup	piece	FB5093-ST/4	FB5015-ST/5
length from the middle of the bore hole [mm]		145	165
weight [g]		112	143
lamination/prepreg stirrup	piece	FB5193-ST/1	FB5115-ST/1
length from the middle of the bore hole [mm]		65	69
weight [g]		53	70
thermoformage stirrup	piece	FB5293-ST/2	FB5215-ST/3
length from the middle of the bore hole [mm]		68	74
weight [g]		53	66

Spare Parts System Stirrup			
Item	Article Number for System Width		Description
	16mm	20mm	
1	BR1110-L030	BR1211-L030	sliding bushing

→ All system stirrups of the NEURO HiSWING system ankle joint are delivered with an integrated sliding bushing.



Information for Processing

Rivet Stirrup:

→ This system stirrup is riveted to the foot piece.

Lamination/Prepreg Stirrup:

→ This system stirrup is embedded into the laminate of the foot piece.

Thermoformage Stirrup:

→ This system stirrup is embedded into thermoformable plastics, but can be embedded into laminates as well.



→ The system stirrup is marked with lines in the neck area in order to read the joint angle.

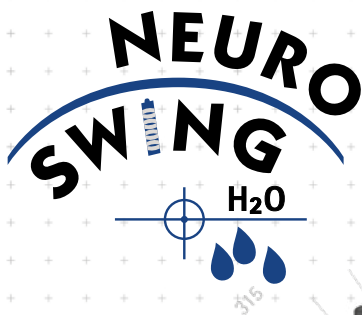
NEURO SWING-CLASSIC



NEURO SWING

NEURO SWING 2

NEURO HiSWING

NEURO SWING Carbon



	Dorsiflexion Stop	Plantar Flexion Stop
Main Function	 <p>dynamic</p>	 <p>dynamic (with dorsiflexion assist)</p>
Adjustment Options	<p>adjustable, variable spring force by exchanging the spring unit</p>	<p>adjustable, variable spring force by exchanging the spring unit</p>

The NEURO SWING Carbon is a water-resistant ultralight system ankle joint made of carbon fibre-reinforced plastics.

An orthosis with a NEURO SWING Carbon system ankle joint can be converted into an orthosis with a NEURO CLASSIC Carbon system ankle joint by exchanging the system joint.



NEURO SWING-CLASSIC

NEURO SWING

NEURO SWING 2

NEURO HISWING

NEURO SWING Carbon



12mm

14mm

16mm

20mm

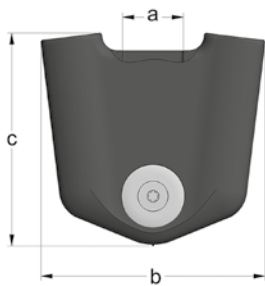
Joint Dimensions [mm]

Dimension	Description	System Width a			
		12mm	14mm	16mm	20mm
b	joint head width	51	60	74	84
c	joint height	51	58	71	83
	joint thickness	15	17	20	22.5

Joint Weights* [g]

Material	Unit	System Width			
		12mm	14mm	16mm	20mm
carbon	piece	23	34	64	94

* without spring units



The NEURO SWING Carbon system ankle joint is delivered with the following articles:

- set 2-component adhesive and primer
- orthosis joint grease, 3g
- assembly/lamination dummy

- ➔ Please order spring units, system stirrups and system anchors separately.
- ➔ You will find spring units on catalogue page C50.7.
- ➔ You will find system stirrups on catalogue page C50.9f.
- ➔ You will find special system anchors for the NEURO SWING Carbon on catalogue page I9ff.



straight
fig. 1

Straight (Fig. 1)						
Material	Leg	Unit	Article Number for System Width			
			12mm	14mm	16mm	20mm
carbon	left or right	piece	SF5201-C/LR	SF5202-C/LR	SF5203-C/LR	SF5205-C/LR

NEURO SWING-CLASSIC

NEURO SWING

NEURO SWING 2

NEURO HISWING

NEURO SWING Carbon

NEURO SWING-CLASSIC

NEURO SWING

NEURO SWING 2

NEURO HiSWING

NEURO SWING Carbon

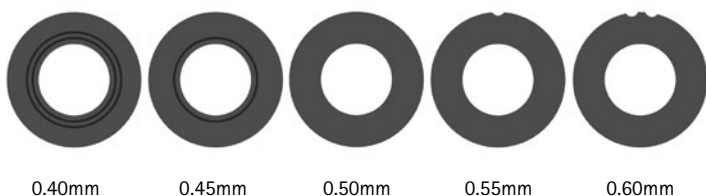
Spare Parts



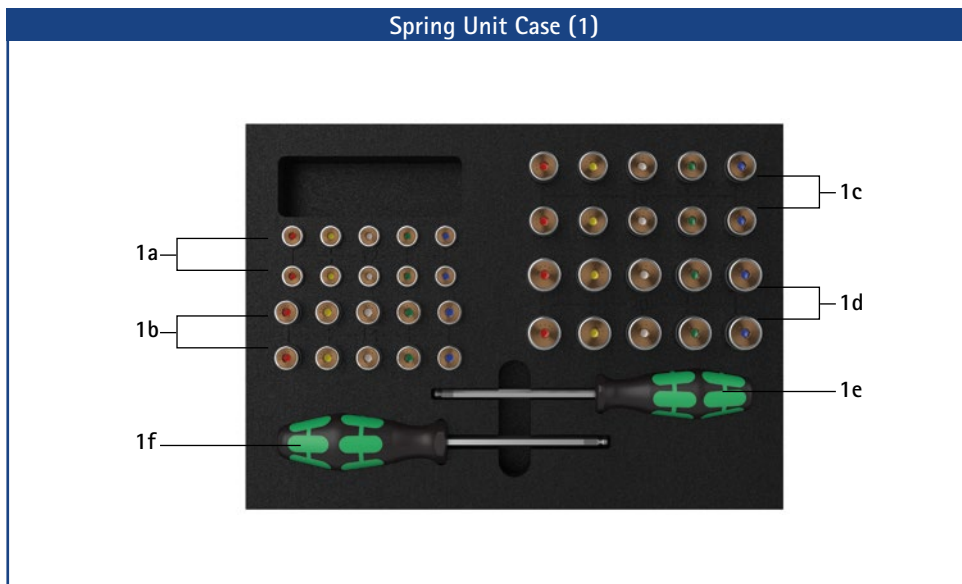
Spare Parts					
Item	Article Number for System Width				Description
	12mm	14mm	16mm	20mm	
1	SF0591-C/1	SF0592-C/1	SF0593-C/1	SF0595-C/1	bearing nut
2	SF0501-C	SF0502-C	SF0503-C	SF0505-C	joint case
3	GS1409-*	GS1911-*	GS2413-*	GS2815-*	sliding washer*
4	SF0591-C/2	SF0592-C/2	SF0593-C/2	SF0595-C/2	cover disc
5	SC1404-L10	SC1405-L11	SC1406-L14	SC1406-L14	countersunk flat head screw with hexalobular socket

* Sliding Washers				
12mm	Article Number for System Width			20mm
	14mm	16mm	16mm	
∅ = 14mm	∅ = 19mm	∅ = 24mm	∅ = 28mm	
GS1409-040	GS1911-040	GS2413-040	GS2815-040	
GS1409-045	GS1911-045	GS2413-045	GS2815-045	
GS1409-050	GS1911-050	GS2413-050	GS2815-050	
GS1409-055	GS1911-055	GS2413-055	GS2815-055	
GS1409-060	GS1911-060	GS2413-060	GS2815-060	

The last three digits of the article number stand for the thickness of the sliding washer, e.g. GS1409-**040**. The thickness of this sliding washer is 0.40mm. In total, the sliding washers are available in five different thicknesses. The thickness of a sliding washer is indicated by the markings. For example, a sliding washer with two notches is 0.40mm thick, whereas a sliding washer with one notch is 0.55mm thick. Please use the sliding washer centring pin to position the sliding washers.



- ➔ You will find system stirrups on catalogue page C50.9f.
- ➔ You will find system anchors on catalogue page I9ff.
- ➔ You will find the sliding washer centring pin on catalogue page J11.



Spring Unit Case		
Item	Article Number	Description
1	SF5800-C	1 x spring unit set in a case with tools
w/o fig.	SF5800-C/0	1 x spring unit case for filling by yourself, with tools (without spring units)
1a	see table spring units	2 x of each blue, green, white, yellow and red spring unit for NEURO SWING Carbon 12mm
1b	see table spring units	2 x of each blue, green, white, yellow and red spring unit for NEURO SWING Carbon 14mm
1c	see table spring units	2 x of each blue, green, white, yellow and red spring unit for NEURO SWING Carbon 16mm
1d	see table spring units	2 x of each blue, green, white, yellow and red spring unit for NEURO SWING Carbon 20mm
1e	WZ5112-4010	1 x hexagonal screwdriver with spherical head, 4 x 100mm
1f	WZ5112-5010	1 x hexagonal screwdriver with spherical head, 5 x 100mm

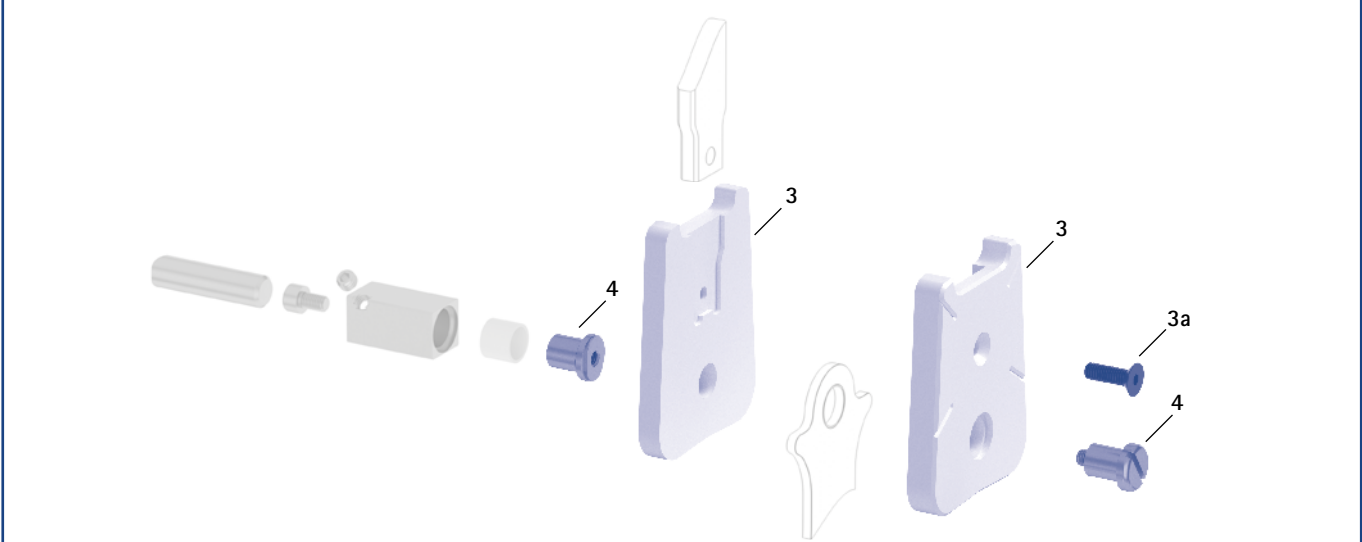
Spring Units (You Need Two of the Following Spring Units for One NEURO SWING Carbon System Ankle Joint):					
12mm	Article Number for System Width			Description	Unit
	14mm	16mm	20mm		
SF5801-C/15/03	SF5802-C/15/05	SF5803-C/15/07	SF5805-C/15/18	spring unit, blue, normal, max. 15° range of motion	piece
SF5801-C/15/06	SF5802-C/15/11	SF5803-C/15/15	SF5805-C/15/25	spring unit, green, medium, max. 15° range of motion	piece
SF5801-C/10/12	SF5802-C/09/16	SF5803-C/10/21	SF5805-C/10/40	spring unit, white, strong, max. 10° range of motion	piece
SF5801-C/10/19	SF5802-C/10/29	SF5803-C/10/31	SF5805-C/10/60	spring unit, yellow, very strong, max. 10° range of motion	piece
SF5801-C/05/33	SF5802-C/05/53	SF5803-C/05/63	SF5805-C/05/99	spring unit, red, extra strong, max. 5° range of motion	piece

Spare Parts Spring Units					
Item	Article Number for System Width				Description
	12mm	14mm	16mm	20mm	
2	VE3771-085/13	VE3771-100/12	VE3771-12/12	VE3771-15/13	O-ring for securing the spring unit*

* An additional O-ring is part of the scope of delivery of the spring units.

Spring Units Weights [g]					
Spring Unit	Article Number	System Width			
		12mm	14mm	16mm	20mm
spring unit, blue, normal, max. 15° range of motion	see table spring units	12	19	33	64
spring unit, green, medium, max. 15° range of motion	see table spring units	14	25	43	69
spring unit, white, strong, max. 10° range of motion	see table spring units	17	29	48	78
spring unit, yellow, very strong, max. 10° range of motion	see table spring units	18	29	47	86
spring unit, red, extra strong, max. 5° range of motion	see table spring units	18	28	49	86

Assembly/Lamination Dummies and Joint Retainers



Assembly/Lamination Dummies and Joint Retainers						
Item	Article Number for System Width				Description	Unit
	12mm	14mm	16mm	20mm		
3	SF0951-C/LR1	SF0952-C/LR1	SF0953-C/LR1	SF0955-C/LR1	assembly/lamination dummy, two parts (2 dummies with screw)	set
3a	SC1054-L12	SC1055-L12	SC1055-L16	SC1055-L16	countersunk flat head screw with hexagon socket	piece
4	PE1011-01/LR	PE1012-LR	PE1025-LR	PE1025-LR	joint retainer	piece
	2/Z	4/B	7/C	7/C	laser marking	-

- ➔ Assembly/lamination dummies are included in the scope of delivery of the system joints.
- ➔ You will find an overview of our tools on catalogue page J1ff.
- ➔ You will also find the joint retainers and the corresponding laser markings in the tool case on the catalogue pages J13 and J14.



rivet stirrup



lamination/prepreg stirrup



thermoformage stirrup



side view

General Measures of the System Stirrups

Measure [mm]	System Width			
	12mm	14mm	16mm	20mm
thickness	2.0	2.5	3.0	3.0
neck width	19.3	23.2	26.6	30.8
bore hole diameter	8.5	10.5	12.0	14.0

Bent

Description	Leg/Leg Side	Unit	Article Number and Measures for System Width			
			12mm	14mm	16mm	20mm
rivet stirrup	left or right	piece	FC5071-LR/ST3	FC5082-LR/ST4	FC5093-LR/ST4	FC5095-LR/ST5
length from the middle of the bore hole [mm]			116.3	124	144	164
weight [g]			41	66	111	139
lamination/prepreg stirrup	left lateral or right medial	piece	FC5171-L/ST1	FC5182-L/ST1	FC5193-L/ST1	FC5195-L/ST1
	left medial or right lateral		FC5171-R/ST1	FC5182-R/ST1	FC5193-R/ST1	FC5195-R/ST1
length from the middle of the bore hole [mm]			43.3	49.7	57.9	68.3
weight [g]			15	30	51	68
thermoformage stirrup	left or right	piece	FC5271-LR/ST2	FC5282-LR/ST2	FC5293-LR/ST2	FC5295-LR/ST3
length from the middle of the bore hole [mm]			58.2	61	67	73
weight [g]			19	32	51	64



rivet stirrup



lamination/prepreg stirrup

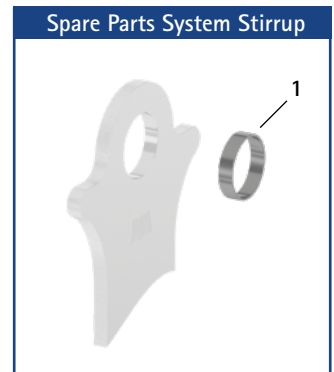


thermoformage stirrup

Straight					
Description	Unit	Article Number and Measures for System Width			
		12mm	14mm	16mm	20mm
rivet stirrup	piece	FB5071-C/ST/3	FB5082-C/ST/4	FB5093-C/ST/4	FB5095-C/ST/5
length from the middle of the bore hole [mm]		117.3	125	145	165
weight [g]		41	66	111	139
lamination/prepreg stirrup	piece	FB5171-C/ST/1	FB5182-C/ST/1	FB5193-C/ST/1	FB5195-C/ST/1
length from the middle of the bore hole [mm]		44.3	50.7	58.9	69.3
weight [g]		15	30	51	68
thermoformage stirrup	piece	FB5271-C/ST/2	FB5282-C/ST/2	FB5293-C/ST/2	FB5295-C/ST/3
length from the middle of the bore hole [mm]		59.2	62	68	74
weight [g]		19	32	51	64

Spare Parts System Stirrup					
Item	Article Number for System Width				Description
	12mm	14mm	16mm	20mm	
1	BR1009-L020	BR1211-L025	BR1312-L030	BR1514-L030	sliding bushing

➔ All system stirrups of the NEURO SWING Carbon system ankle joint are delivered with an integrated sliding bushing.



Information for Processing

Rivet Stirrup:
➔ This system stirrup is riveted to the foot piece.

Lamination/Prepreg Stirrup:
➔ This system stirrup is embedded into the laminate of the foot piece.

Thermoformage Stirrup:
➔ This system stirrup is embedded into thermoformable plastics, but can be embedded into laminates as well.





➔ The system stirrup is marked with lines in the neck area in order to read the joint angle.

NEURO CLASSIC zero

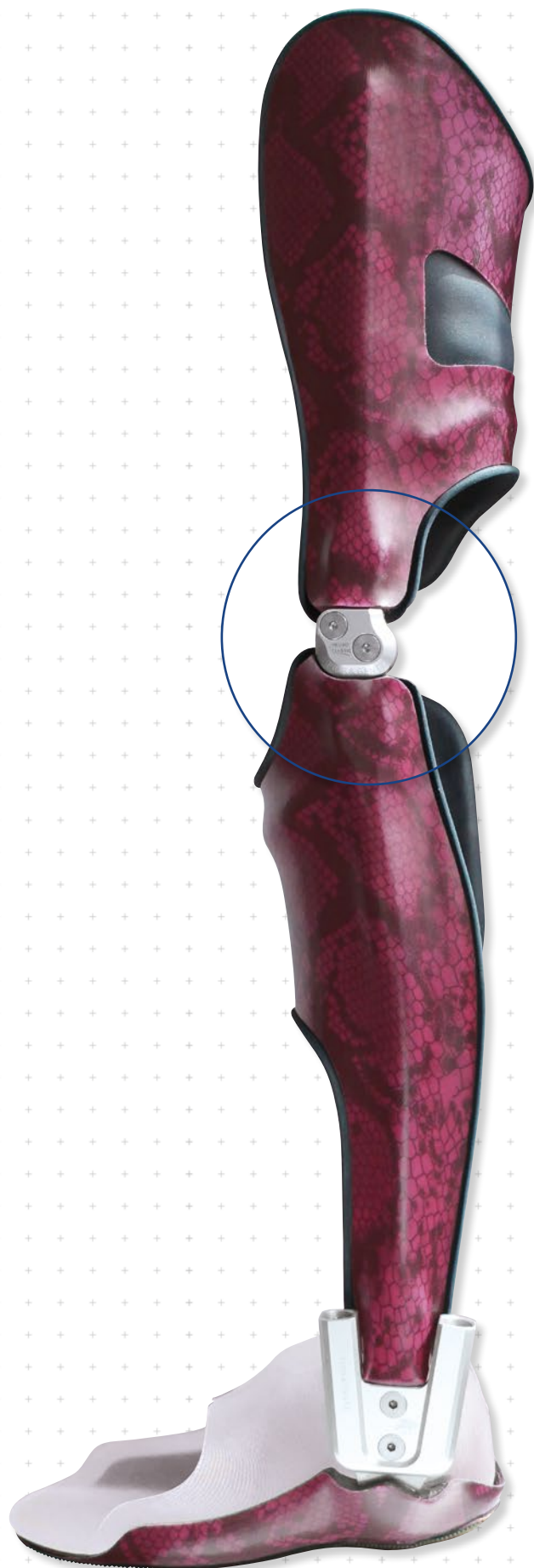


NEURO CLASSIC zero

NEURO VARIO zero

Main Function	 <p>monocentric, free moving without posterior offset</p> <ul style="list-style-type: none"> - preassembled in 5° flexion
Type of Extension Stop	 <p>static extension stop</p>
Adjustment Options	<p>range of motion in extension can be limited as required by exchanging the joint's upper part</p>

The NEURO CLASSIC zero system knee joint can be used in knee orthoses if the load on the articulated side bars is too high.





12mm



14mm



16mm



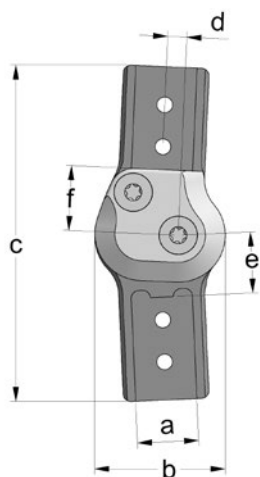
20mm

Joint Dimensions [mm]

Dimension	Description	System Width a			
		12mm	14mm	16mm	20mm
b	joint head width	25.5	29	34	41
c	joint height	66	76	88	99
d	posterior offset	3	4	5	7
e	distance pivot point – lower system case	13	14	16	18.5
f	distance pivot point – upper system case	13	14	17	19
	joint thickness	13	13	14	14

Joint Weights [g]

Material	Unit	System Width			
		12mm	14mm	16mm	20mm
steel	piece	57	78	117	180
titanium	piece	38	52	75	112



The NEURO CLASSIC zero system knee joint is delivered with the following articles:

orthosis joint grease, 3g

assembly/lamination dummy

➔ Please order system side bars/anchors separately.

➔ You will find system side bars/anchors on catalogue page I1ff.



straight
fig. 1



bent inwards distally
fig. 2



bent outwards distally
fig. 3



bent inwards
proximally and distally
fig. 4



bent outwards
proximally and distally
fig. 5

Straight (Fig. 1)

Material	Leg Side	Unit	Article Number for System Width			
			12mm	14mm	16mm	20mm
steel	left lateral or right medial	piece	SJ1001-L/ST	SJ1002-L/ST	SJ1103-L/ST	SJ1105-L/ST
	left medial or right lateral	piece	SJ1001-R/ST	SJ1002-R/ST	SJ1103-R/ST	SJ1105-R/ST
titanium	left lateral or right medial	piece	SJ1001-L/TI	SJ1002-L/TI	SJ1103-L/TI	SJ1105-L/TI
	left medial or right lateral	piece	SJ1001-R/TI	SJ1002-R/TI	SJ1103-R/TI	SJ1105-R/TI

Bent Inwards Distally (Fig. 2)

Material	Leg Side	Unit	Article Number for System Width			
			12mm	14mm	16mm	20mm
steel	left lateral or right medial	piece	SJ1071-L/ST	SJ1072-L/ST	SJ1173-L/ST	SJ1175-L/ST
	left medial or right lateral	piece	SJ1071-R/ST	SJ1072-R/ST	SJ1173-R/ST	SJ1175-R/ST
titanium	left lateral or right medial	piece	SJ1071-L/TI	SJ1072-L/TI	SJ1173-L/TI	SJ1175-L/TI
	left medial or right lateral	piece	SJ1071-R/TI	SJ1072-R/TI	SJ1173-R/TI	SJ1175-R/TI

Bent Outwards Distally (Fig. 3)

Material	Leg Side	Unit	Article Number for System Width			
			12mm	14mm	16mm	20mm
steel	left lateral or right medial	piece	SJ1091-L/ST	SJ1092-L/ST	SJ1193-L/ST	SJ1195-L/ST
	left medial or right lateral	piece	SJ1091-R/ST	SJ1092-R/ST	SJ1193-R/ST	SJ1195-R/ST
titanium	left lateral or right medial	piece	SJ1091-L/TI	SJ1092-L/TI	SJ1193-L/TI	SJ1195-L/TI
	left medial or right lateral	piece	SJ1091-R/TI	SJ1092-R/TI	SJ1193-R/TI	SJ1195-R/TI

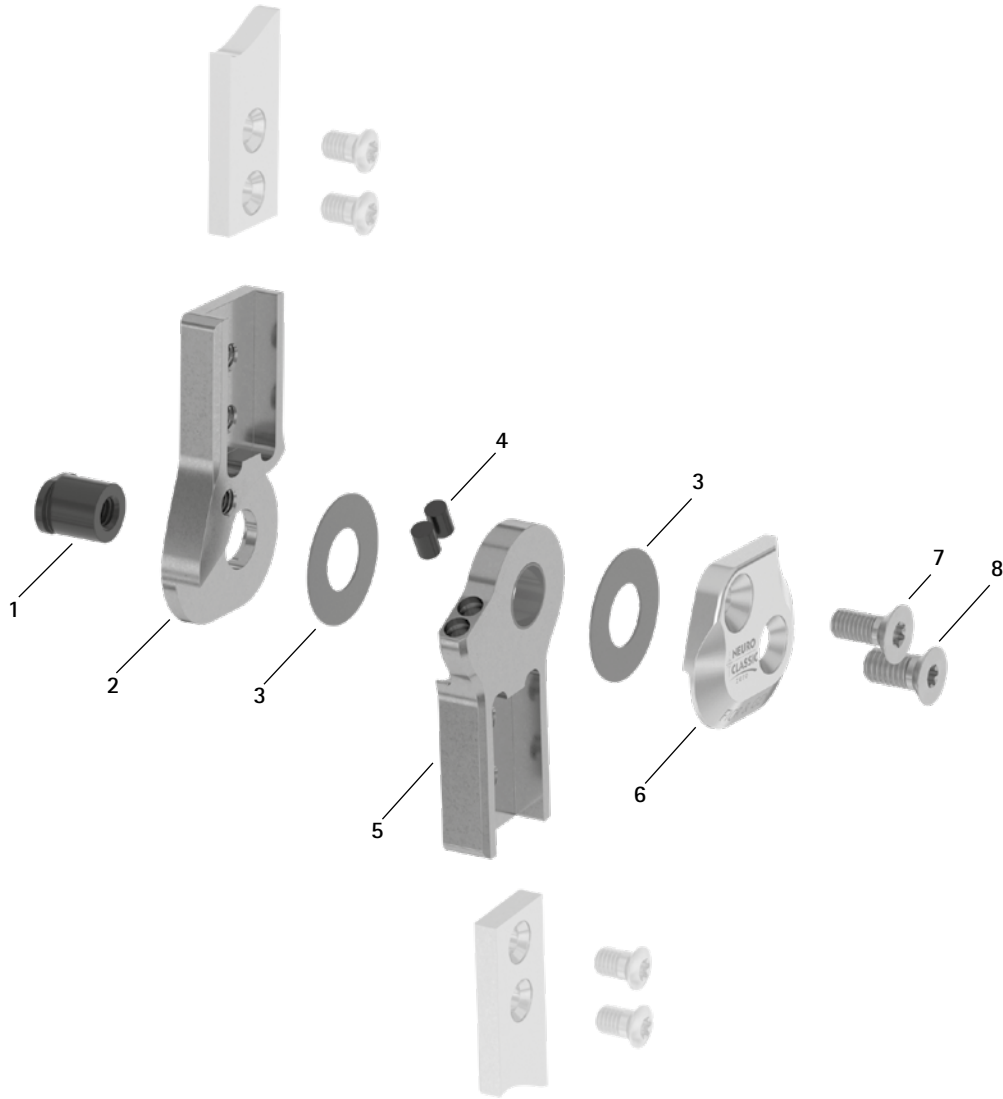
Bent Inwards Proximally and Distally (Fig. 4)

Material	Leg Side	Unit	Article Number for System Width			
			12mm	14mm	16mm	20mm
steel	left lateral or right medial	piece	SJ1021-L/ST	SJ1022-L/ST	SJ1123-L/ST	SJ1125-L/ST
	left medial or right lateral	piece	SJ1021-R/ST	SJ1022-R/ST	SJ1123-R/ST	SJ1125-R/ST
titanium	left lateral or right medial	piece	SJ1021-L/TI	SJ1022-L/TI	SJ1123-L/TI	SJ1125-L/TI
	left medial or right lateral	piece	SJ1021-R/TI	SJ1022-R/TI	SJ1123-R/TI	SJ1125-R/TI

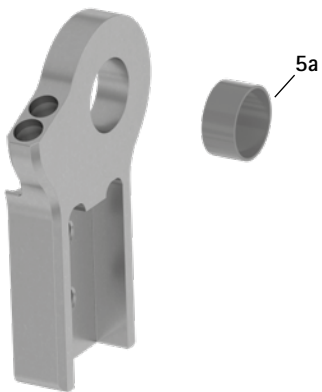
Bent Outwards Proximally and Distally (Fig. 5)

Material	Leg Side	Unit	Article Number for System Width			
			12mm	14mm	16mm	20mm
steel	left lateral or right medial	piece	SJ1081-L/ST	SJ1082-L/ST	SJ1083-L/ST	SJ1085-L/ST
	left medial or right lateral	piece	SJ1081-R/ST	SJ1082-R/ST	SJ1083-R/ST	SJ1085-R/ST
titanium	left lateral or right medial	piece	SJ1081-L/TI	SJ1082-L/TI	SJ1083-L/TI	SJ1085-L/TI
	left medial or right lateral	piece	SJ1081-R/TI	SJ1082-R/TI	SJ1083-R/TI	SJ1085-R/TI

Spare Parts



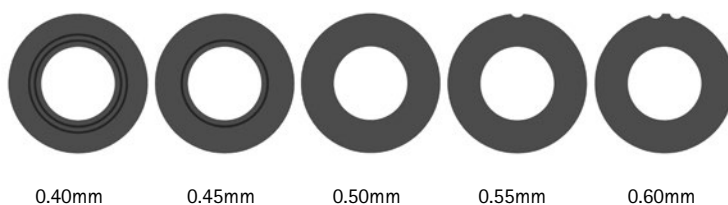
Lower Part with Sliding Bushing, Preassembled (5)



Spare Parts					
Item	Article Number for System Width				Description
	12mm	14mm	16mm	20mm	
1	SB8559-L0840	SB9669-L0840	SB1069-L0960	SB1069-L1020	bearing nut
2	SJ0101-2L/ST	SJ0102-2L/ST	SJ0103-2L/ST	SJ0105-2L/ST	5° upper part, left lateral or right medial, straight, steel
2	SJ0101-2R/ST	SJ0102-2R/ST	SJ0103-2R/ST	SJ0105-2R/ST	5° upper part, left medial or right lateral, straight, steel
2	SJ0101-2L/TI	SJ0102-2L/TI	SJ0103-2L/TI	SJ0105-2L/TI	5° upper part, left lateral or right medial, straight, titanium
2	SJ0101-2R/TI	SJ0102-2R/TI	SJ0103-2R/TI	SJ0105-2R/TI	5° upper part, left medial or right lateral, straight, titanium
2	SJ0121-2L/ST	SJ0122-2L/ST	SJ0123-2L/ST	SJ0125-2L/ST	5° upper part, left lateral or right medial, bent inwards, steel
2	SJ0121-2R/ST	SJ0122-2R/ST	SJ0123-2R/ST	SJ0125-2R/ST	5° upper part, left medial or right lateral, bent inwards, steel
2	SJ0121-2L/TI	SJ0122-2L/TI	SJ0123-2L/TI	SJ0125-2L/TI	5° upper part, left lateral or right medial, bent inwards, titanium
2	SJ0121-2R/TI	SJ0122-2R/TI	SJ0123-2R/TI	SJ0125-2R/TI	5° upper part, left medial or right lateral, bent inwards, titanium
2	SJ0121-9L/ST	SJ0122-9L/ST	SJ0123-9L/ST	SJ0125-9L/ST	5° upper part, left lateral or right medial, bent outwards, steel
2	SJ0121-9R/ST	SJ0122-9R/ST	SJ0123-9R/ST	SJ0125-9R/ST	5° upper part, left medial or right lateral, bent outwards, steel
2	SJ0121-9L/TI	SJ0122-9L/TI	SJ0123-9L/TI	SJ0125-9L/TI	5° upper part, left lateral or right medial, bent outwards, titanium
2	SJ0121-9R/TI	SJ0122-9R/TI	SJ0123-9R/TI	SJ0125-9R/TI	5° upper part, left medial or right lateral, bent outwards, titanium
3	GS1609-*	GS1910-*	GS2311-*	GS2611-*	sliding washer*
4	PN1000-L05/5	PN1000-L05/5	PN1000-L05/5	PN1000-L05/5	extension stop damper
5	SJ0111-L/ST	SJ0112-L/ST	SJ0113-L/ST	SJ0115-L/ST	lower part with sliding bushing, left lateral or right medial, straight, steel
5	SJ0111-R/ST	SJ0112-R/ST	SJ0113-R/ST	SJ0115-R/ST	lower part with sliding bushing, left medial or right lateral, straight, steel
5	SJ0111-L/TI	SJ0112-L/TI	SJ0113-L/TI	SJ0115-L/TI	lower part with sliding bushing, left lateral or right medial, straight, titanium
5	SJ0111-R/TI	SJ0112-R/TI	SJ0113-R/TI	SJ0115-R/TI	lower part with sliding bushing, left medial or right lateral, straight, titanium
5	SJ0131-L/ST	SJ0132-L/ST	SJ0133-L/ST	SJ0135-L/ST	lower part with sliding bushing, left lateral or right medial, bent inwards, steel
5	SJ0131-R/ST	SJ0132-R/ST	SJ0133-R/ST	SJ0135-R/ST	lower part with sliding bushing, left medial or right lateral, bent inwards, steel
5	SJ0131-L/TI	SJ0132-L/TI	SJ0133-L/TI	SJ0135-L/TI	lower part with sliding bushing, left lateral or right medial, bent inwards, titanium
5	SJ0131-R/TI	SJ0132-R/TI	SJ0133-R/TI	SJ0135-R/TI	lower part with sliding bushing, left medial or right lateral, bent inwards, titanium
5	SJ0131-8L/ST	SJ0132-8L/ST	SJ0133-8L/ST	SJ0135-8L/ST	lower part with sliding bushing, left lateral or right medial, bent outwards, steel
5	SJ0131-8R/ST	SJ0132-8R/ST	SJ0133-8R/ST	SJ0135-8R/ST	lower part with sliding bushing, left medial or right lateral, bent outwards, steel
5	SJ0131-8L/TI	SJ0132-8L/TI	SJ0133-8L/TI	SJ0135-8L/TI	lower part with sliding bushing, left lateral or right medial, bent outwards, titanium
5	SJ0131-8R/TI	SJ0132-8R/TI	SJ0133-8R/TI	SJ0135-8R/TI	lower part with sliding bushing, left medial or right lateral, bent outwards, titanium
5a	BP1009-L050	BP1110-L050	BP1211-L055	BP1211-L060	sliding bushing
6	SJ0151-L/AL	SJ0152-L/AL	SJ0153-L/AL	SJ0155-L/AL	cover plate, left lateral or right medial, aluminium
6	SJ0151-R/AL	SJ0152-R/AL	SJ0153-R/AL	SJ0155-R/AL	cover plate, left medial or right lateral, aluminium
7	SC1404-L12	SC1405-L12	SC1405-L12	SC1405-L14	countersunk flat head screw with hexalobular socket
8	SC1405-L12	SC1405-L12	SC1406-L12	SC1406-L14	countersunk flat head screw with hexalobular socket (axle screw)

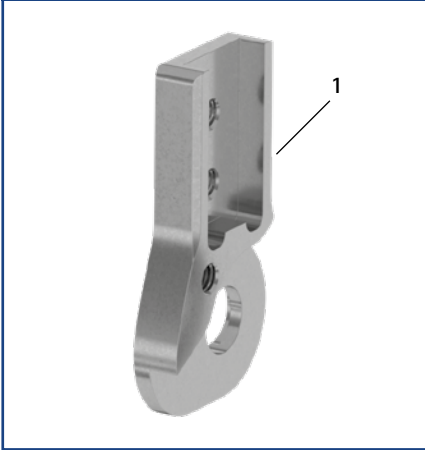
* Sliding Washers				
	Article Number for System Width			
	12mm	14mm	16mm	20mm
	Ø = 16mm	Ø = 19mm	Ø = 23mm	Ø = 26mm
	GS1609-040	GS1910-040	GS2311-040	GS2611-040
	GS1609-045	GS1910-045	GS2311-045	GS2611-045
	GS1609-050	GS1910-050	GS2311-050	GS2611-050
	GS1609-055	GS1910-055	GS2311-055	GS2611-055
	GS1609-060	GS1910-060	GS2311-060	GS2611-060

The last three digits of the article number stand for the thickness of the sliding washer, e.g. GS1609-040. The thickness of this sliding washer is 0.40mm. In total, the sliding washers are available in five different thicknesses. The thickness of a sliding washer is indicated by the markings. For example, a sliding washer with two notches is 0.40mm thick, whereas a sliding washer with one notch is 0.55mm thick.



→ You will find system side bars and system anchors on catalogue page I1ff.

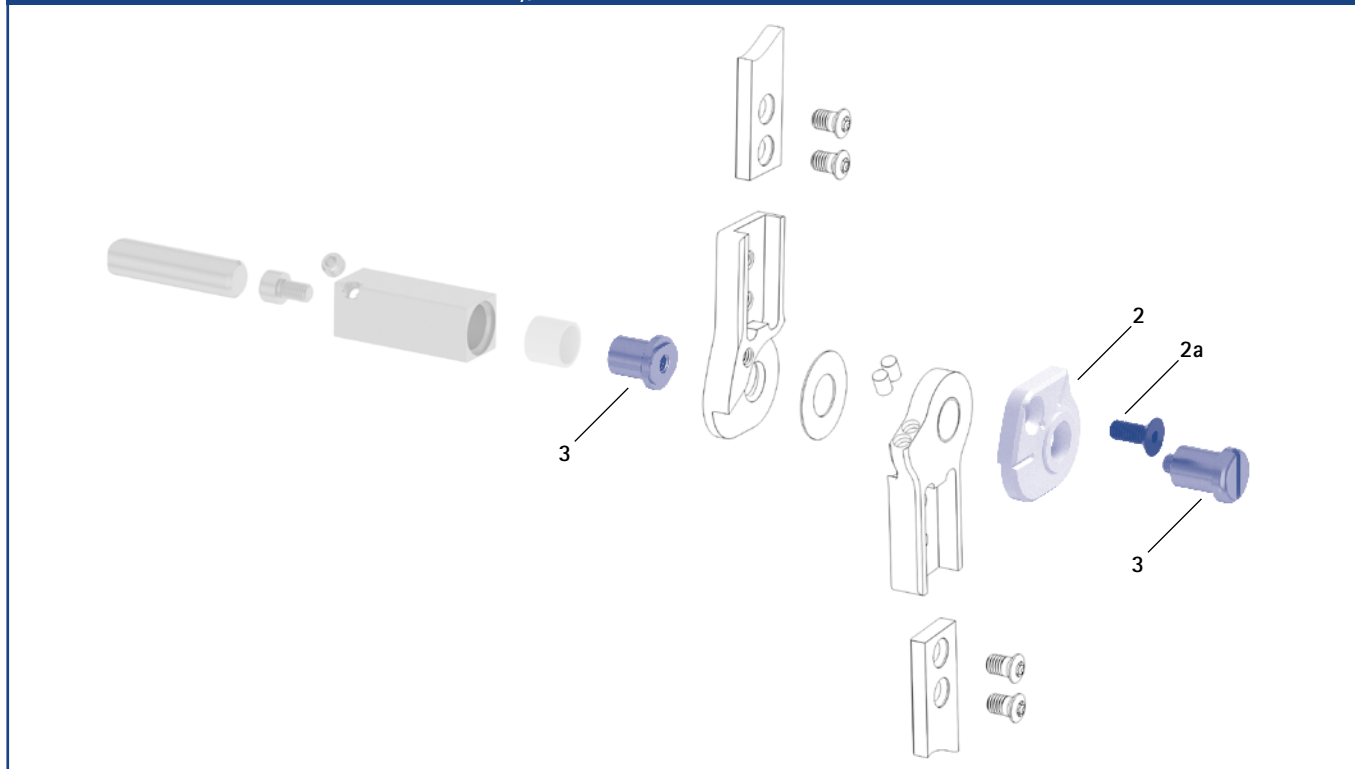
Upper Parts



Upper Parts

Item	Article Number for System Width				Description
	12mm	14mm	16mm	20mm	
1	SJ0101-L/ST	SJ0102-L/ST	SJ0103-L/ST	SJ0105-L/ST	0° upper part, left lateral or right medial, straight, steel
1	SJ0101-R/ST	SJ0102-R/ST	SJ0103-R/ST	SJ0105-R/ST	0° upper part, left medial or right lateral, straight, steel
1	SJ0101-L/TI	SJ0102-L/TI	SJ0103-L/TI	SJ0105-L/TI	0° upper part, left lateral or right medial, straight, titanium
1	SJ0101-R/TI	SJ0102-R/TI	SJ0103-R/TI	SJ0105-R/TI	0° upper part, left medial or right lateral, straight, titanium
1	SJ0121-L/ST	SJ0122-L/ST	SJ0123-L/ST	SJ0125-L/ST	0° upper part, left lateral or right medial, bent inwards, steel
1	SJ0121-R/ST	SJ0122-R/ST	SJ0123-R/ST	SJ0125-R/ST	0° upper part, left medial or right lateral, bent inwards, steel
1	SJ0121-L/TI	SJ0122-L/TI	SJ0123-L/TI	SJ0125-L/TI	0° upper part, left lateral or right medial, bent inwards, titanium
1	SJ0121-R/TI	SJ0122-R/TI	SJ0123-R/TI	SJ0125-R/TI	0° upper part, left medial or right lateral, bent inwards, titanium
1	SJ0121-8L/ST	SJ0122-8L/ST	SJ0123-8L/ST	SJ0125-8L/ST	0° upper part, left lateral or right medial, bent outwards, steel
1	SJ0121-8R/ST	SJ0122-8R/ST	SJ0123-8R/ST	SJ0125-8R/ST	0° upper part, left medial or right lateral, bent outwards, steel
1	SJ0121-8L/TI	SJ0122-8L/TI	SJ0123-8L/TI	SJ0125-8L/TI	0° upper part, left lateral or right medial, bent outwards, titanium
1	SJ0121-8R/TI	SJ0122-8R/TI	SJ0123-8R/TI	SJ0125-8R/TI	0° upper part, left medial or right lateral, bent outwards, titanium

Assembly/Lamination Dummies and Joint Retainers





Assembly/Lamination Dummies and Joint Retainers

Item	Article Number for System Width				Description	Unit
	12mm	14mm	16mm	20mm		
2	SJ0911-L	SJ0912-L	SJ0913-L	SJ0915-L	assembly/lamination dummy, left lateral or right medial (1 dummy with screw)	piece
2	SJ0911-R	SJ0912-R	SJ0913-R	SJ0915-R	assembly/lamination dummy, left medial or right lateral (1 dummy with screw)	piece
2a	SC1054-L12	SC1055-L12	SC1055-L12	SC1055-L12	countersunk flat head screw with hexagon socket	piece
3	PE1012-LR	PE1013-LR	PE1025-LR	PE1025-LR	joint retainer	piece
	4/B	5/C	7/C	7/C	laser marking	-

- ➔ Assembly/lamination dummies are included in the scope of delivery of the system joints.
- ➔ You will find an overview of our tools on catalogue page J1ff.
- ➔ You will also find the joint retainers and the corresponding laser markings in the tool case on the catalogue pages J13 and J14.

NEURO VARIO zero



Main Function	 <p>monocentric, free moving without posterior offset</p> <ul style="list-style-type: none">- preassembled in 5° flexion
Type of Extension Stop	 <p>static extension stop, exchangeable</p>
Adjustment Options	<p>range of motion in extension can be limited as required by exchanging the extension stop</p>

The NEURO VARIO zero system knee joint can be used in knee orthoses if the load on the articulated side bars is too high.





12mm



14mm



16mm



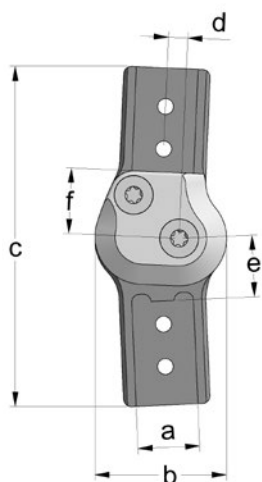
20mm

Joint Dimensions [mm]

Dimension	Description	System Width a			
		12mm	14mm	16mm	20mm
b	joint head width	25.5	29	34	41
c	joint height	66	76	88	99
d	posterior offset	3	4	5	7
e	distance pivot point - lower system case	13	14	16	18.5
f	distance pivot point - upper system case	13	14	17	19
	joint thickness	13	13	14	14

Joint Weights [g]

Material	Unit	System Width			
		12mm	14mm	16mm	20mm
steel	piece	57	78	117	180
titanium	piece	38	52	75	112



The NEURO VARIO zero system knee joint is delivered with the following articles:

- pan head screw for exchanging extension stops
- orthosis joint grease, 3g
- assembly/lamination dummy

- ➔ Please order system side bars/anchors separately.
- ➔ You will find system side bars/anchors on catalogue page I1ff.



straight
fig. 1



bent inwards distally
fig. 2



bent outwards distally
fig. 3



bent inwards proximally and distally
fig. 4



bent outwards proximally and distally
fig. 5

Straight (Fig. 1)

Material	Leg Side	Unit	Article Number for System Width			
			12mm	14mm	16mm	20mm
steel	left lateral or right medial	piece	SJ1401-L/ST	SJ1402-L/ST	SJ1403-L/ST	SJ1405-L/ST
	left medial or right lateral	piece	SJ1401-R/ST	SJ1402-R/ST	SJ1403-R/ST	SJ1405-R/ST
titanium	left lateral or right medial	piece	SJ1401-L/TI	SJ1402-L/TI	SJ1403-L/TI	SJ1405-L/TI
	left medial or right lateral	piece	SJ1401-R/TI	SJ1402-R/TI	SJ1403-R/TI	SJ1405-R/TI

Bent Inwards Distally (Fig. 2)

Material	Leg Side	Unit	Article Number for System Width			
			12mm	14mm	16mm	20mm
steel	left lateral or right medial	piece	SJ1471-L/ST	SJ1472-L/ST	SJ1473-L/ST	SJ1475-L/ST
	left medial or right lateral	piece	SJ1471-R/ST	SJ1472-R/ST	SJ1473-R/ST	SJ1475-R/ST
titanium	left lateral or right medial	piece	SJ1471-L/TI	SJ1472-L/TI	SJ1473-L/TI	SJ1475-L/TI
	left medial or right lateral	piece	SJ1471-R/TI	SJ1472-R/TI	SJ1473-R/TI	SJ1475-R/TI

Bent Outwards Distally (Fig. 3)

Material	Leg Side	Unit	Article Number for System Width			
			12mm	14mm	16mm	20mm
steel	left lateral or right medial	piece	SJ1491-L/ST	SJ1492-L/ST	SJ1493-L/ST	SJ1495-L/ST
	left medial or right lateral	piece	SJ1491-R/ST	SJ1492-R/ST	SJ1493-R/ST	SJ1495-R/ST
titanium	left lateral or right medial	piece	SJ1491-L/TI	SJ1492-L/TI	SJ1493-L/TI	SJ1495-L/TI
	left medial or right lateral	piece	SJ1491-R/TI	SJ1492-R/TI	SJ1493-R/TI	SJ1495-R/TI

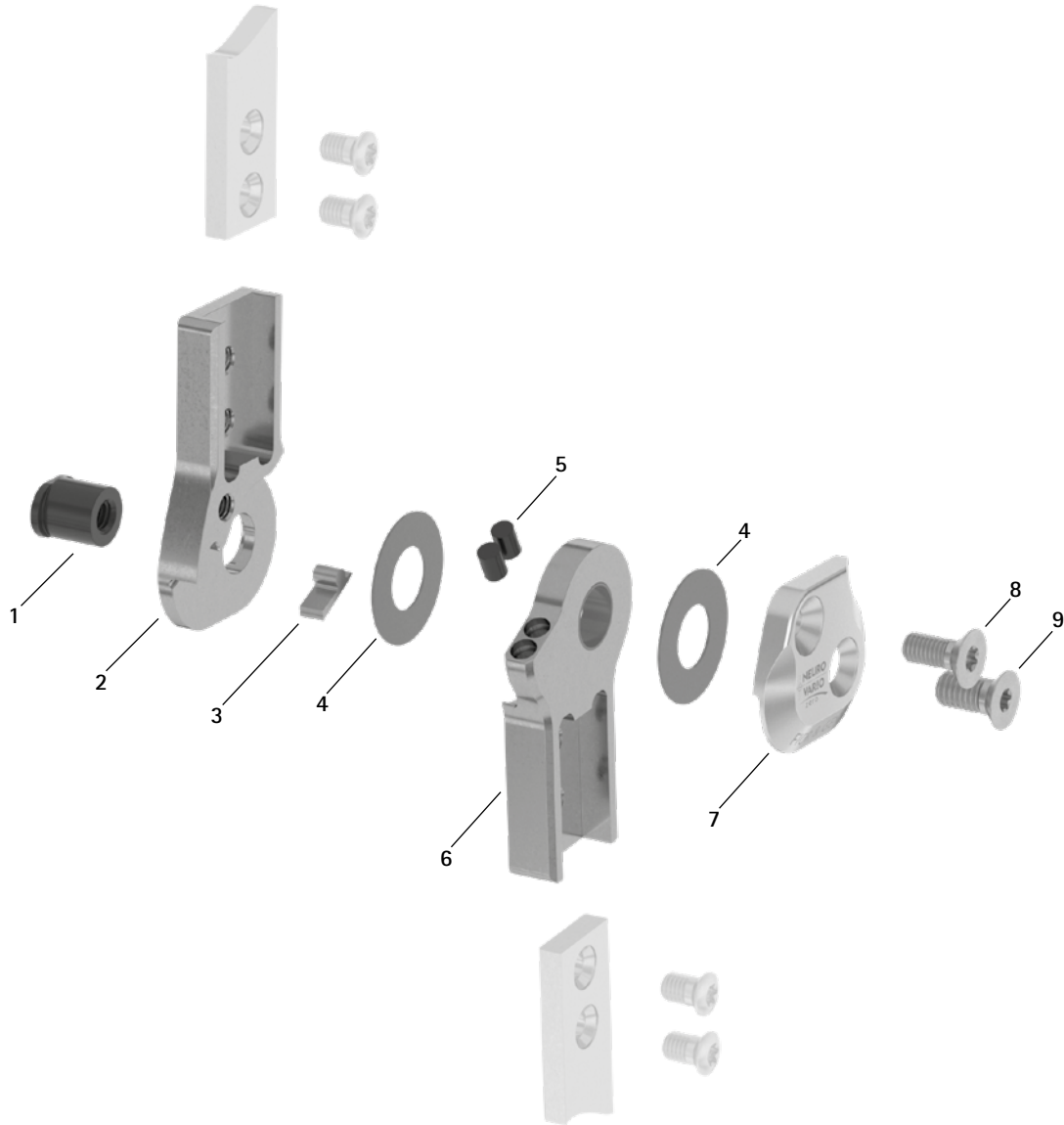
Bent Inwards Proximally and Distally (Fig. 4)

Material	Leg Side	Unit	Article Number for System Width			
			12mm	14mm	16mm	20mm
steel	left lateral or right medial	piece	SJ1421-L/ST	SJ1422-L/ST	SJ1423-L/ST	SJ1425-L/ST
	left medial or right lateral	piece	SJ1421-R/ST	SJ1422-R/ST	SJ1423-R/ST	SJ1425-R/ST
titanium	left lateral or right medial	piece	SJ1421-L/TI	SJ1422-L/TI	SJ1423-L/TI	SJ1425-L/TI
	left medial or right lateral	piece	SJ1421-R/TI	SJ1422-R/TI	SJ1423-R/TI	SJ1425-R/TI

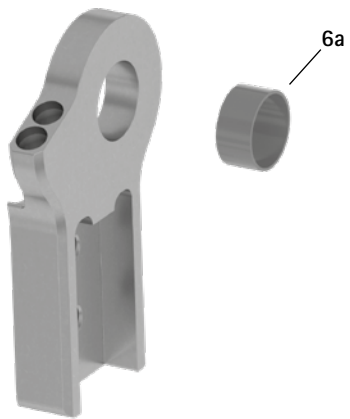
Bent Outwards Proximally and Distally (Fig. 5)

Material	Leg Side	Unit	Article Number for System Width			
			12mm	14mm	16mm	20mm
steel	left lateral or right medial	piece	SJ1481-L/ST	SJ1482-L/ST	SJ1483-L/ST	SJ1485-L/ST
	left medial or right lateral	piece	SJ1481-R/ST	SJ1482-R/ST	SJ1483-R/ST	SJ1485-R/ST
titanium	left lateral or right medial	piece	SJ1481-L/TI	SJ1482-L/TI	SJ1483-L/TI	SJ1485-L/TI
	left medial or right lateral	piece	SJ1481-R/TI	SJ1482-R/TI	SJ1483-R/TI	SJ1485-R/TI

Spare Parts



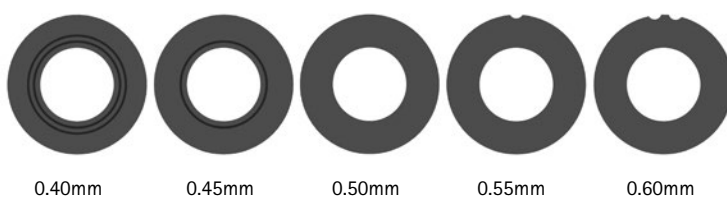
Lower Part with Sliding Bushing, Preassembled (6)



Spare Parts					
Item	Article Number for System Width				Description
	12mm	14mm	16mm	20mm	
1	SB8559-L0840	SB9669-L0840	SB1069-L0960	SB1069-L1020	bearing nut
2	SJ0141-L/ST	SJ0142-L/ST	SJ0143-L/ST	SJ0145-L/ST	upper part, left lateral or right medial, straight, steel
2	SJ0141-R/ST	SJ0142-R/ST	SJ0143-R/ST	SJ0145-R/ST	upper part, left medial or right lateral, straight, steel
2	SJ0141-L/TI	SJ0142-L/TI	SJ0143-L/TI	SJ0145-L/TI	upper part, left lateral or right medial, straight, titanium
2	SJ0141-R/TI	SJ0142-R/TI	SJ0143-R/TI	SJ0145-R/TI	upper part, left medial or right lateral, straight, titanium
2	SJ0161-L/ST	SJ0162-L/ST	SJ0163-L/ST	SJ0165-L/ST	upper part, left lateral or right medial, bent inwards, steel
2	SJ0161-R/ST	SJ0162-R/ST	SJ0163-R/ST	SJ0165-R/ST	upper part, left medial or right lateral, bent inwards, steel
2	SJ0161-L/TI	SJ0162-L/TI	SJ0163-L/TI	SJ0165-L/TI	upper part, left lateral or right medial, bent inwards, titanium
2	SJ0161-R/TI	SJ0162-R/TI	SJ0163-R/TI	SJ0165-R/TI	upper part, left medial or right lateral, bent inwards, titanium
2	SJ0161-8L/ST	SJ0162-8L/ST	SJ0163-8L/ST	SJ0165-8L/ST	upper part, left lateral or right medial, bent outwards, steel
2	SJ0161-8R/ST	SJ0162-8R/ST	SJ0163-8R/ST	SJ0165-8R/ST	upper part, left medial or right lateral, bent outwards, steel
2	SJ0161-8L/TI	SJ0162-8L/TI	SJ0163-8L/TI	SJ0165-8L/TI	upper part, left lateral or right medial, bent outwards, titanium
2	SJ0161-8R/TI	SJ0162-8R/TI	SJ0163-8R/TI	SJ0165-8R/TI	upper part, left medial or right lateral, bent outwards, titanium
3	SJ9021-E005	SJ9022-E005	SJ9023-E005	SJ9025-E005	5° extension stop
4	GS1609-*	GS1910-*	GS2311-*	GS2611-*	sliding washer*
5	PN1000-L05/5	PN1000-L05/5	PN1000-L05/5	PN1000-L05/5	extension stop damper
6	SJ0111-L/ST	SJ0112-L/ST	SJ0113-L/ST	SJ0115-L/ST	lower part with sliding bushing, left lateral or right medial, straight, steel
6	SJ0111-R/ST	SJ0112-R/ST	SJ0113-R/ST	SJ0115-R/ST	lower part with sliding bushing, left medial or right lateral, straight, steel
6	SJ0111-L/TI	SJ0112-L/TI	SJ0113-L/TI	SJ0115-L/TI	lower part with sliding bushing, left lateral or right medial, straight, titanium
6	SJ0111-R/TI	SJ0112-R/TI	SJ0113-R/TI	SJ0115-R/TI	lower part with sliding bushing, left medial or right lateral, straight, titanium
6	SJ0131-L/ST	SJ0132-L/ST	SJ0133-L/ST	SJ0135-L/ST	lower part with sliding bushing, left lateral or right medial, bent inwards, steel
6	SJ0131-R/ST	SJ0132-R/ST	SJ0133-R/ST	SJ0135-R/ST	lower part with sliding bushing, left medial or right lateral, bent inwards, steel
6	SJ0131-L/TI	SJ0132-L/TI	SJ0133-L/TI	SJ0135-L/TI	lower part with sliding bushing, left lateral or right medial, bent inwards, titanium
6	SJ0131-R/TI	SJ0132-R/TI	SJ0133-R/TI	SJ0135-R/TI	lower part with sliding bushing, left medial or right lateral, bent inwards, titanium
6	SJ0131-8L/ST	SJ0132-8L/ST	SJ0133-8L/ST	SJ0135-8L/ST	lower part with sliding bushing, left lateral or right medial, bent outwards, steel
6	SJ0131-8R/ST	SJ0132-8R/ST	SJ0133-8R/ST	SJ0135-8R/ST	lower part with sliding bushing, left medial or right lateral, bent outwards, steel
6	SJ0131-8L/TI	SJ0132-8L/TI	SJ0133-8L/TI	SJ0135-8L/TI	lower part with sliding bushing, left lateral or right medial, bent outwards, titanium
6	SJ0131-8R/TI	SJ0132-8R/TI	SJ0133-8R/TI	SJ0135-8R/TI	lower part with sliding bushing, left medial or right lateral, bent outwards, titanium
6a	BP1009-L050	BP1110-L050	BP1211-L055	BP1211-L060	sliding bushing
7	SJ0191-L/AL	SJ0192-L/AL	SJ0193-L/AL	SJ0195-L/AL	cover plate, left lateral or right medial, aluminium
7	SJ0191-R/AL	SJ0192-R/AL	SJ0193-R/AL	SJ0195-R/AL	cover plate, left medial or right lateral, aluminium
8	SC1404-L12	SC1405-L12	SC1405-L12	SC1405-L14	countersunk flat head screw with hexalobular socket
9	SC1405-L12	SC1405-L12	SC1406-L12	SC1406-L14	countersunk flat head screw with hexalobular socket (axle screw)
w/o fig.	SC0403-L08	SC0403-L08	SC0403-L10	SC0403-L10	pan head screw for exchanging extension stops

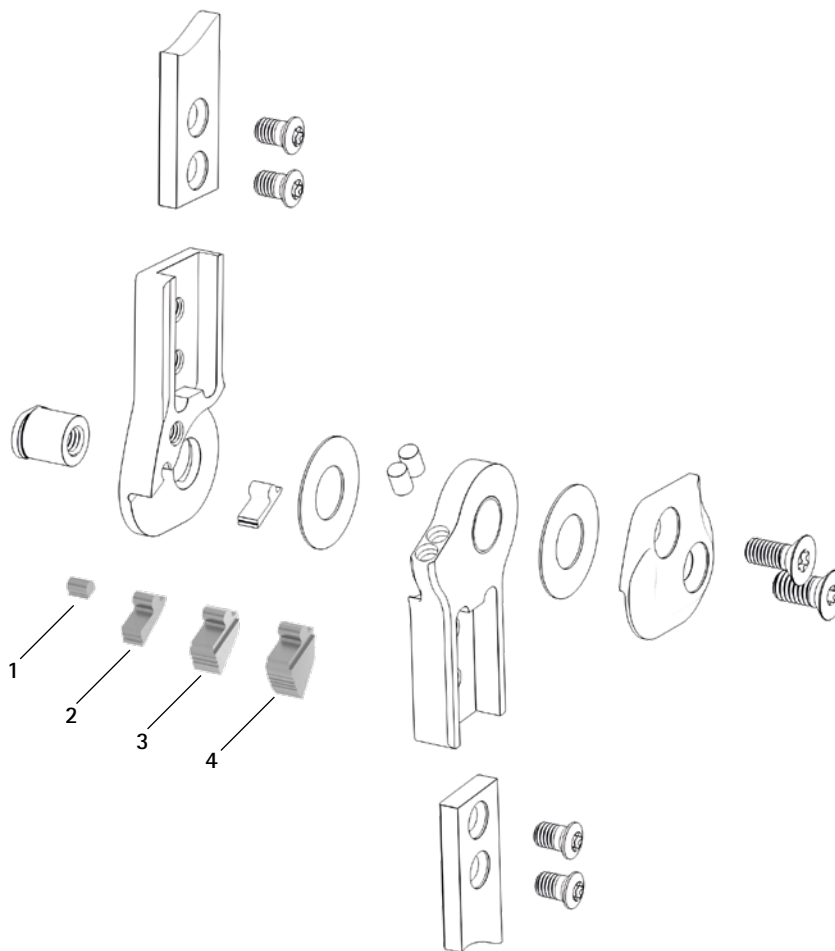
* Sliding Washers				
	Article Number for System Width			
	12mm	14mm	16mm	20mm
	∅ = 16mm	∅ = 19mm	∅ = 23mm	∅ = 26mm
	GS1609-040	GS1910-040	GS2311-040	GS2611-040
	GS1609-045	GS1910-045	GS2311-045	GS2611-045
	GS1609-050	GS1910-050	GS2311-050	GS2611-050
	GS1609-055	GS1910-055	GS2311-055	GS2611-055
	GS1609-060	GS1910-060	GS2311-060	GS2611-060

The last three digits of the article number stand for the thickness of the sliding washer, e.g. GS1407-040. The thickness of this sliding washer is 0.40mm. In total, the sliding washers are available in five different thicknesses. The thickness of a sliding washer is indicated by the markings. For example, a sliding washer with two grooves is 0.40mm thick, whereas a sliding washer with one notch is 0.55mm thick.



→ You will find system side bars and system anchors on catalogue page I1ff.

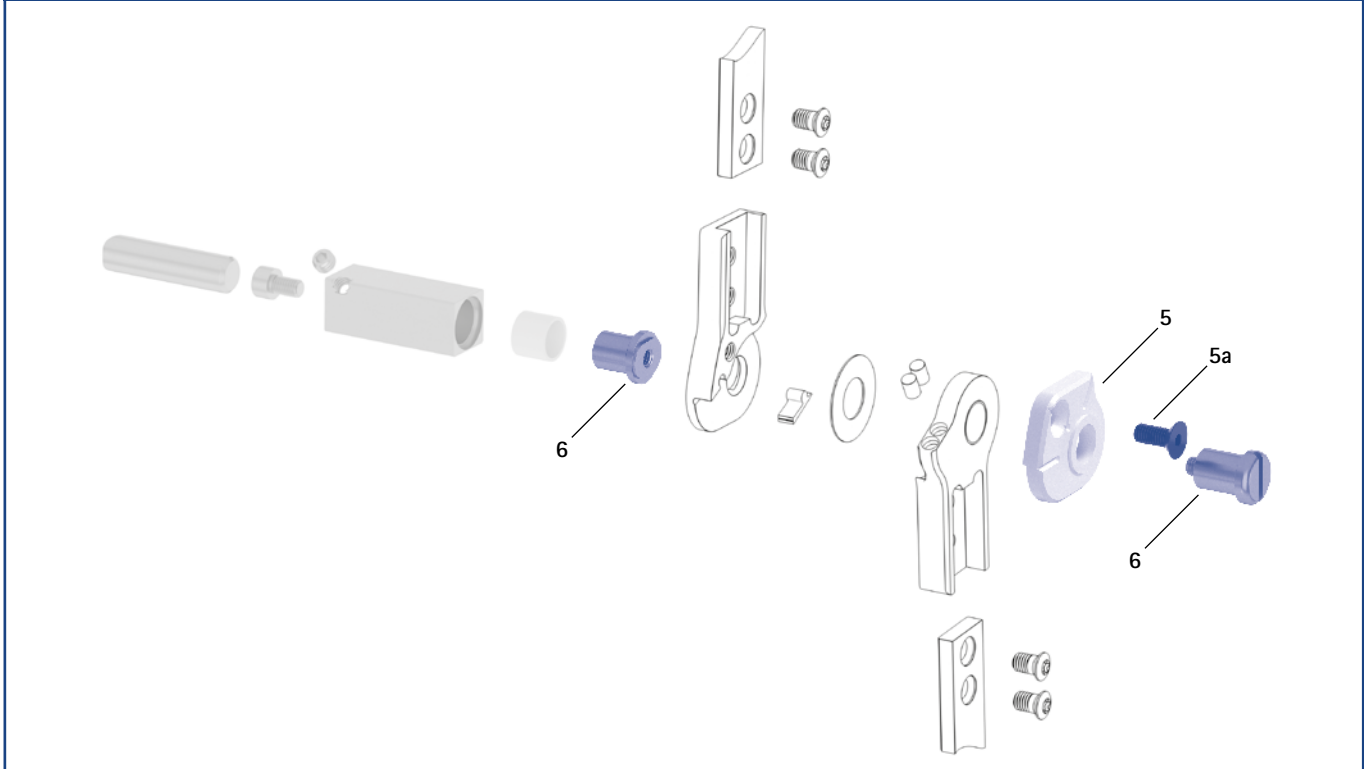
Extension Stops



Accessory Parts

Item	Article Number for System Width				Description
	12mm	14mm	16mm	20mm	
1	SJ9021-E000	SJ9022-E000	SJ9023-E000	SJ9025-E000	0° extension stop
2	SJ9021-E010	SJ9022-E010	SJ9023-E010	SJ9025-E010	10° extension stop
3	SJ9021-E020	SJ9022-E020	SJ9023-E020	SJ9025-E020	20° extension stop
4	SJ9021-E030	SJ9022-E030	SJ9023-E030	SJ9025-E030	30° extension stop
1-4	SJ9021	SJ9022	SJ9023	SJ9025	set of stops, 0°, 10°, 20°, 30° extension stops (1 of each)

Assembly/Lamination Dummies and Joint Retainers

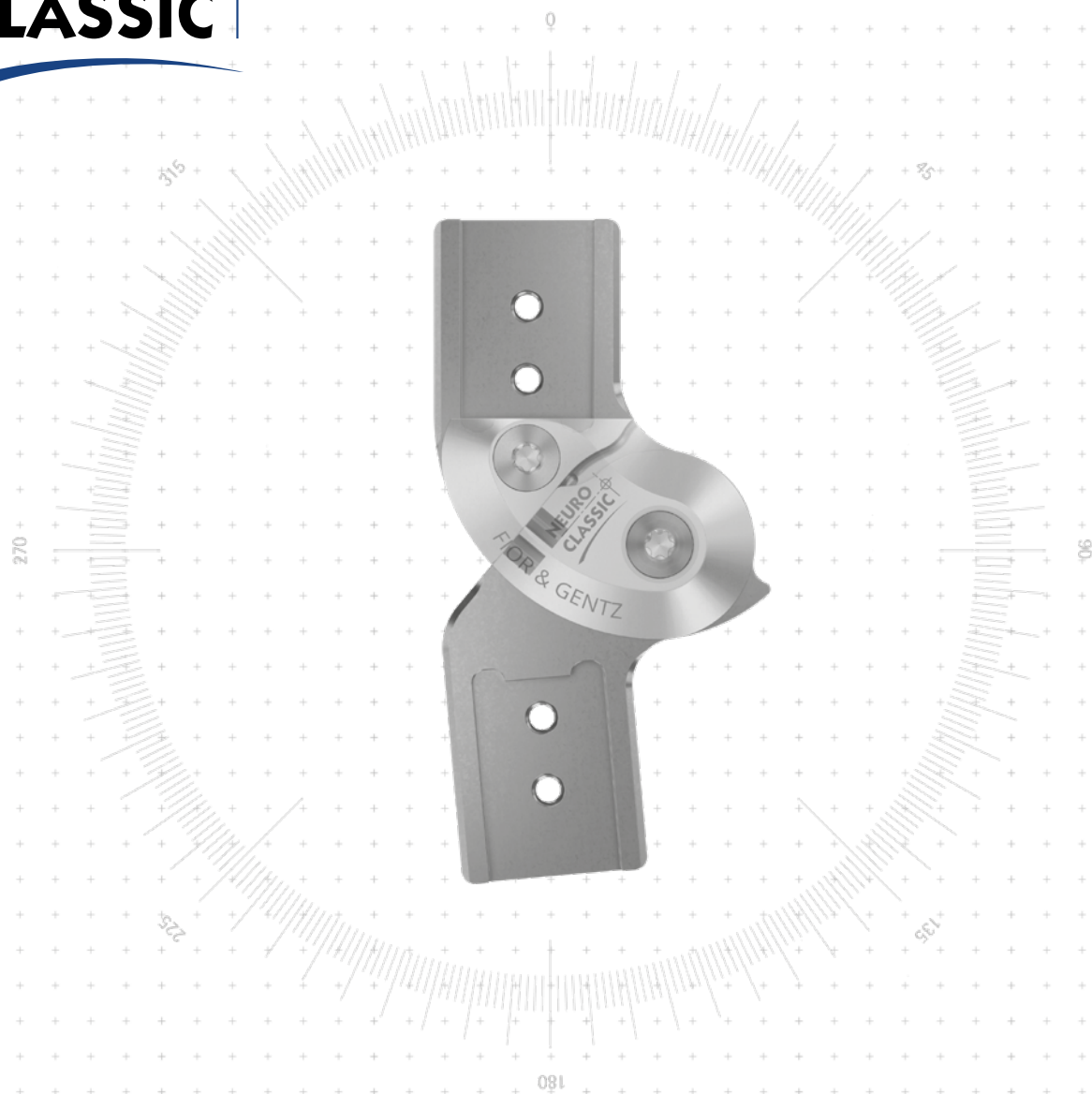




Assembly/Lamination Dummies and Joint Retainers

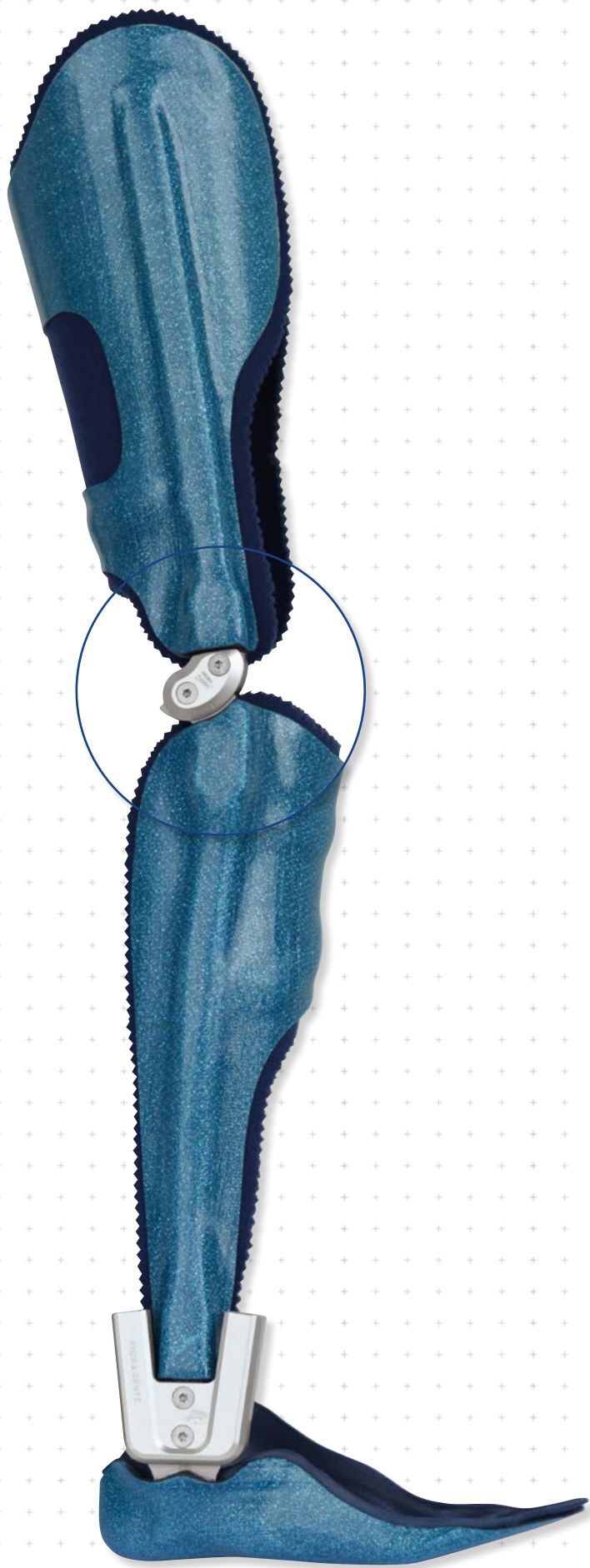
Item	Article Number for System Width				Description	Unit
	12mm	14mm	16mm	20mm		
5	SJ0911-L	SJ0912-L	SJ0913-L	SJ0915-L	assembly/lamination dummy, left lateral or right medial (1 dummy with screw)	piece
5	SJ0911-R	SJ0912-R	SJ0913-R	SJ0915-R	assembly/lamination dummy, left medial or right lateral (1 dummy with screw)	piece
5a	SC1054-L12	SC1055-L12	SC1055-L12	SC1055-L12	countersunk flat head screw with hexagon socket	piece
6	PE1012-LR	PE1013-LR	PE1025-LR	PE1025-LR	joint retainer	piece
	4/B	5/C	7/C	7/C	laser marking	-

- ➔ Assembly/lamination dummies are included in the scope of delivery of the system joints.
- ➔ You will find an overview of our tools on catalogue page J1ff.
- ➔ You will also find the joint retainers and the corresponding laser markings in the tool case on the catalogue pages J13 and J14.

NEURO CLASSIC



<p>Main Function</p>	 <p>monocentric, free moving with posterior offset</p> <ul style="list-style-type: none"> - preassembled in 5° flexion
<p>Type of Extension Stop</p>	 <p>static extension stop</p>
<p>Adjustment Options</p>	<p>range of motion in extension can be limited as required by exchanging the joint's upper part</p>



NEURO CLASSIC

NEURO VARIO

NEURO VARIO 2

NEURO VARIO-SWING

NEURO ACTIVE
System Knee Joint

NEURO ACTIVE
Articulated System Side Bar

NEURO CLASSIC Carbon

System Knee Joints NEURO CLASSIC



12mm



14mm



16mm



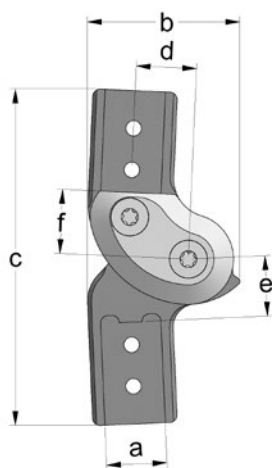
20mm

Joint Dimensions [mm]

Dimension	Description	System Width a			
		12mm	14mm	16mm	20mm
b	joint head width	29.5	34	40	50
c	joint height	67	76	89	100
d	posterior offset	12	14	16	20
e	distance pivot point – lower system case	13	13	16	18.5
f	distance pivot point – upper system case	13	14.5	17	19
	joint thickness	14	14	15	16

Joint Weights [g]

Material	Unit	System Width			
		12mm	14mm	16mm	20mm
steel	piece	65	90	137	222
titanium	piece	43	58	86	136



The NEURO CLASSIC system knee joint is delivered with the following articles:

orthosis joint grease, 3g

assembly/lamination dummy

➔ Please order system side bars/anchors separately.

➔ You will find system side bars/anchors on catalogue page I1ff.

E10.3



straight
fig. 1



bent inwards distally
fig. 2



bent outwards distally
fig. 3



bent inwards
proximally and distally
fig. 4



bent outwards
proximally and distally
fig. 5

Straight (Fig. 1)

Material	Leg Side	Unit	Article Number for System Width			
			12mm	14mm	16mm	20mm
steel	left lateral or right medial	piece	SL1001-L/ST	SL1002-L/ST	SL1003-L/ST	SL1005-L/ST
	left medial or right lateral	piece	SL1001-R/ST	SL1002-R/ST	SL1003-R/ST	SL1005-R/ST
titanium	left lateral or right medial	piece	SL1001-L/TI	SL1002-L/TI	SL1003-L/TI	SL1005-L/TI
	left medial or right lateral	piece	SL1001-R/TI	SL1002-R/TI	SL1003-R/TI	SL1005-R/TI

Bent Inwards Distally (Fig. 2)

Material	Leg Side	Unit	Article Number for System Width			
			12mm	14mm	16mm	20mm
steel	left lateral or right medial	piece	SL1071-L/ST	SL1072-L/ST	SL1073-L/ST	SL1075-L/ST
	left medial or right lateral	piece	SL1071-R/ST	SL1072-R/ST	SL1073-R/ST	SL1075-R/ST
titanium	left lateral or right medial	piece	SL1071-L/TI	SL1072-L/TI	SL1073-L/TI	SL1075-L/TI
	left medial or right lateral	piece	SL1071-R/TI	SL1072-R/TI	SL1073-R/TI	SL1075-R/TI

Bent Outwards Distally (Fig. 3)

Material	Leg Side	Unit	Article Number for System Width			
			12mm	14mm	16mm	20mm
steel	left lateral or right medial	piece	SL1091-L/ST	SL1092-L/ST	SL1093-L/ST	SL1095-L/ST
	left medial or right lateral	piece	SL1091-R/ST	SL1092-R/ST	SL1093-R/ST	SL1095-R/ST
titanium	left lateral or right medial	piece	SL1091-L/TI	SL1092-L/TI	SL1093-L/TI	SL1095-L/TI
	left medial or right lateral	piece	SL1091-R/TI	SL1092-R/TI	SL1093-R/TI	SL1095-R/TI

Bent Inwards Proximally and Distally (Fig. 4)

Material	Leg Side	Unit	Article Number for System Width			
			12mm	14mm	16mm	20mm
steel	left lateral or right medial	piece	SL1021-L/ST	SL1022-L/ST	SL1023-L/ST	SL1025-L/ST
	left medial or right lateral	piece	SL1021-R/ST	SL1022-R/ST	SL1023-R/ST	SL1025-R/ST
titanium	left lateral or right medial	piece	SL1021-L/TI	SL1022-L/TI	SL1023-L/TI	SL1025-L/TI
	left medial or right lateral	piece	SL1021-R/TI	SL1022-R/TI	SL1023-R/TI	SL1025-R/TI

Bent Outwards Proximally and Distally (Fig. 5)

Material	Leg Side	Unit	Article Number for System Width			
			12mm	14mm	16mm	20mm
steel	left lateral or right medial	piece	SL1081-L/ST	SL1082-L/ST	SL1083-L/ST	SL1085-L/ST
	left medial or right lateral	piece	SL1081-R/ST	SL1082-R/ST	SL1083-R/ST	SL1085-R/ST
titanium	left lateral or right medial	piece	SL1081-L/TI	SL1082-L/TI	SL1083-L/TI	SL1085-L/TI
	left medial or right lateral	piece	SL1081-R/TI	SL1082-R/TI	SL1083-R/TI	SL1085-R/TI

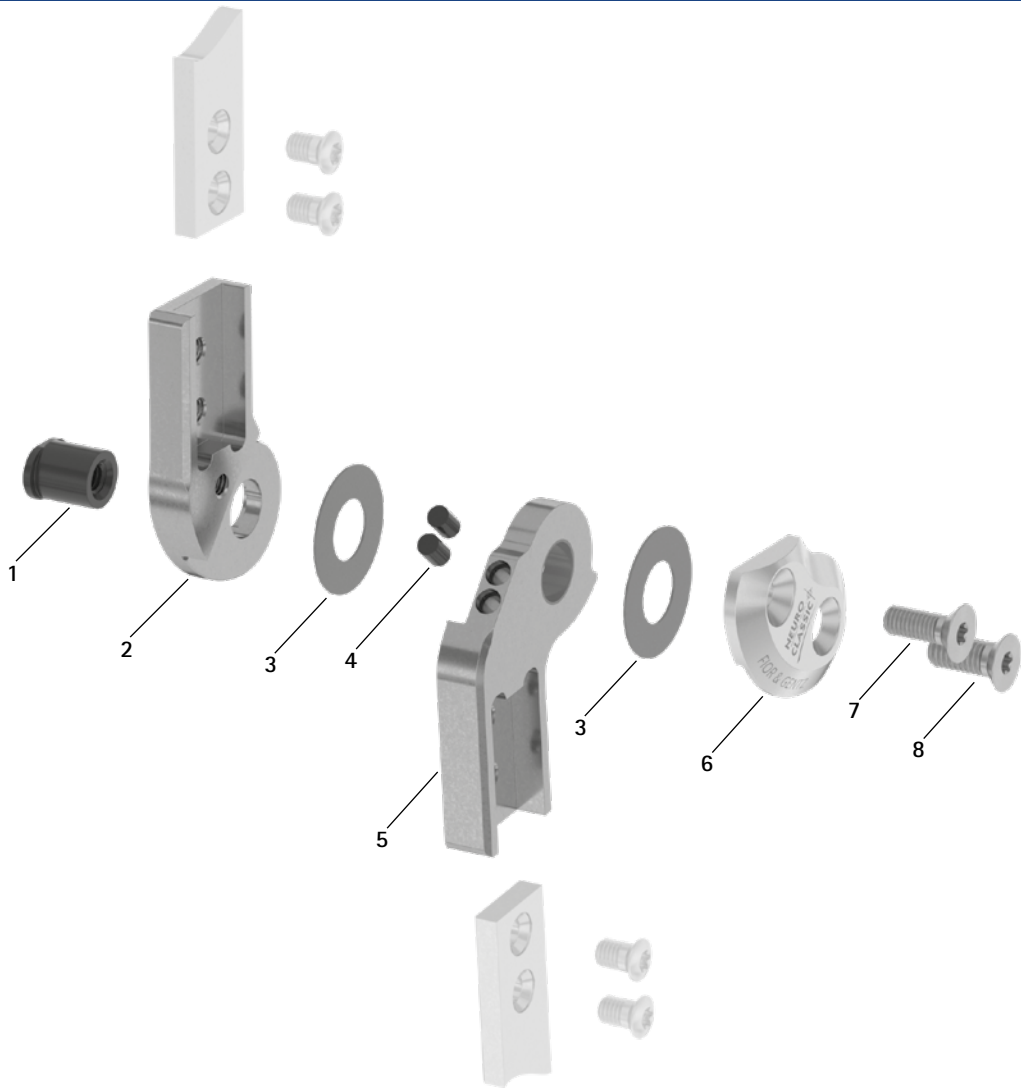
NEURO CLASSIC

NEURO VARIO

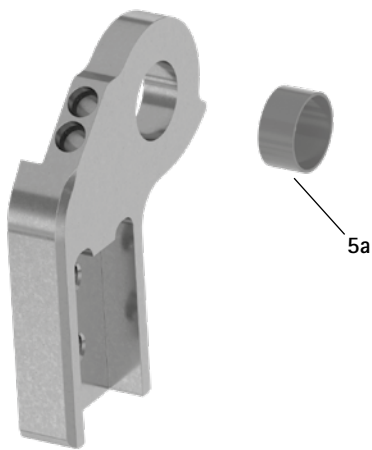
NEURO VARIO 2

NEURO VARIO-SWING

Spare Parts



Lower Part with Sliding Bushing, Preassembled (5)



NEURO ACTIVE
System Knee Joint

NEURO ACTIVE
Articulated System Side Bar

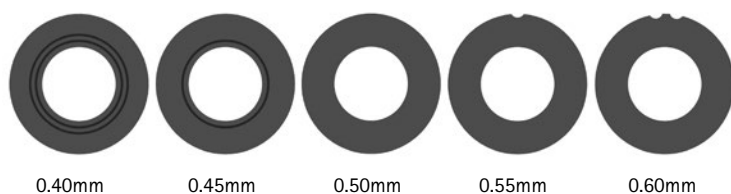
NEURO CLASSIC Carbon

Spare Parts					
Item	Article Number for System Width				Description
	12mm	14mm	16mm	20mm	
1	SB8559-L0930	SB9669-L0950	SB1069-L1060	SB1069-L1220	bearing nut
2	SL0101-2L/ST	SL0102-2L/ST	SL0103-2L/ST	SL0105-2L/ST	5° upper part, left lateral or right medial, straight, steel
2	SL0101-2R/ST	SL0102-2R/ST	SL0103-2R/ST	SL0105-2R/ST	5° upper part, left medial or right lateral, straight, steel
2	SL0101-2L/TI	SL0102-2L/TI	SL0103-2L/TI	SL0105-2L/TI	5° upper part, left lateral or right medial, straight, titanium
2	SL0101-2R/TI	SL0102-2R/TI	SL0103-2R/TI	SL0105-2R/TI	5° upper part, left medial or right lateral, straight, titanium
2	SL0121-2L/ST	SL0122-2L/ST	SL0123-2L/ST	SL0125-2L/ST	5° upper part, left lateral or right medial, bent inwards, steel
2	SL0121-2R/ST	SL0122-2R/ST	SL0123-2R/ST	SL0125-2R/ST	5° upper part, left medial or right lateral, bent inwards, steel
2	SL0121-2L/TI	SL0122-2L/TI	SL0123-2L/TI	SL0125-2L/TI	5° upper part, left lateral or right medial, bent inwards, titanium
2	SL0121-2R/TI	SL0122-2R/TI	SL0123-2R/TI	SL0125-2R/TI	5° upper part, left medial or right lateral, bent inwards, titanium
2	SL0121-9L/ST	SL0122-9L/ST	SL0123-9L/ST	SL0125-9L/ST	5° upper part, left lateral or right medial, bent outwards, steel
2	SL0121-9R/ST	SL0122-9R/ST	SL0123-9R/ST	SL0125-9R/ST	5° upper part, left medial or right lateral, bent outwards, steel
2	SL0121-9L/TI	SL0122-9L/TI	SL0123-9L/TI	SL0125-9L/TI	5° upper part, left lateral or right medial, bent outwards, titanium
2	SL0121-9R/TI	SL0122-9R/TI	SL0123-9R/TI	SL0125-9R/TI	5° upper part, left medial or right lateral, bent outwards, titanium
3	GS1609-*	GS1910-*	GS2311-*	GS2611-*	sliding washer*
4	PN1000-L05/5	PN1000-L05/5	PN1000-L05/5	PN1000-L05/5	extension stop damper
5	SL0111-L/ST	SL0112-L/ST	SL0113-L/ST	SL0115-L/ST	lower part with sliding bushing, left lateral or right medial, straight, steel
5	SL0111-R/ST	SL0112-R/ST	SL0113-R/ST	SL0115-R/ST	lower part with sliding bushing, left medial or right lateral, straight, steel
5	SL0111-L/TI	SL0112-L/TI	SL0113-L/TI	SL0115-L/TI	lower part with sliding bushing, left lateral or right medial, straight, titanium
5	SL0111-R/TI	SL0112-R/TI	SL0113-R/TI	SL0115-R/TI	lower part with sliding bushing, left medial or right lateral, straight, titanium
5	SL0131-L/ST	SL0132-L/ST	SL0133-L/ST	SL0135-L/ST	lower part with sliding bushing, left lateral or right medial, bent inwards, steel
5	SL0131-R/ST	SL0132-R/ST	SL0133-R/ST	SL0135-R/ST	lower part with sliding bushing, left medial or right lateral, bent inwards, steel
5	SL0131-L/TI	SL0132-L/TI	SL0133-L/TI	SL0135-L/TI	lower part with sliding bushing, left lateral or right medial, bent inwards, titanium
5	SL0131-R/TI	SL0132-R/TI	SL0133-R/TI	SL0135-R/TI	lower part with sliding bushing, left medial or right lateral, bent inwards, titanium
5	SL0131-8L/ST	SL0132-8L/ST	SL0133-8L/ST	SL0135-8L/ST	lower part with sliding bushing, left lateral or right medial, bent outwards, steel
5	SL0131-8R/ST	SL0132-8R/ST	SL0133-8R/ST	SL0135-8R/ST	lower part with sliding bushing, left medial or right lateral, bent outwards, steel
5	SL0131-8L/TI	SL0132-8L/TI	SL0133-8L/TI	SL0135-8L/TI	lower part with sliding bushing, left lateral or right medial, bent outwards, titanium
5	SL0131-8R/TI	SL0132-8R/TI	SL0133-8R/TI	SL0135-8R/TI	lower part with sliding bushing, left medial or right lateral, bent outwards, titanium
5a	BP1009-L050	BP1110-L050	BP1211-L055	BP1211-L060	sliding bushing
6	SL0151-L/AL	SL0152-L/AL	SL0153-L/AL	SL0155-L/AL	cover plate, left lateral or right medial, aluminium
6	SL0151-R/AL	SL0152-R/AL	SL0153-R/AL	SL0155-R/AL	cover plate, left medial or right lateral, aluminium
7	SC1404-L12	SC1405-L12	SC1405-L14	SC1405-L14	countersunk flat head screw with hexalobular socket
8	SC1405-L12	SC1405-L12	SC1406-L14	SC1406-L14	countersunk flat head screw with hexalobular socket (axle screw)

* Sliding Washers

Article Number for System Width				
12mm	14mm	16mm	20mm	
$\emptyset = 16\text{mm}$	$\emptyset = 19\text{mm}$	$\emptyset = 23\text{mm}$	$\emptyset = 26\text{mm}$	
GS1609-040	GS1910-040	GS2311-040	GS2611-040	
GS1609-045	GS1910-045	GS2311-045	GS2611-045	
GS1609-050	GS1910-050	GS2311-050	GS2611-050	
GS1609-055	GS1910-055	GS2311-055	GS2611-055	
GS1609-060	GS1910-060	GS2311-060	GS2611-060	

The last three digits of the article number stand for the thickness of the sliding washer, e.g. GS1609-040. The thickness of this sliding washer is 0.40mm. In total, the sliding washers are available in five different thicknesses. The thickness of a sliding washer is indicated by the markings. For example, a sliding washer with two notches is 0.40mm thick, whereas a sliding washer with one notch is 0.55mm thick.



→ You will find system side bars and system anchors on catalogue page I1ff.

NEURO CLASSIC

NEURO VARIO

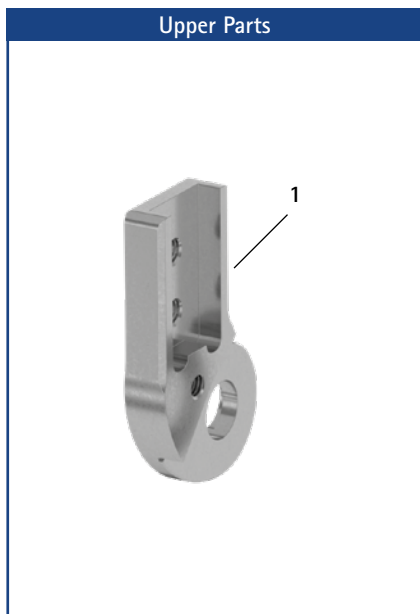
NEURO VARIO 2

NEURO VARIO-SWING

NEURO ACTIVE
System Knee Joint

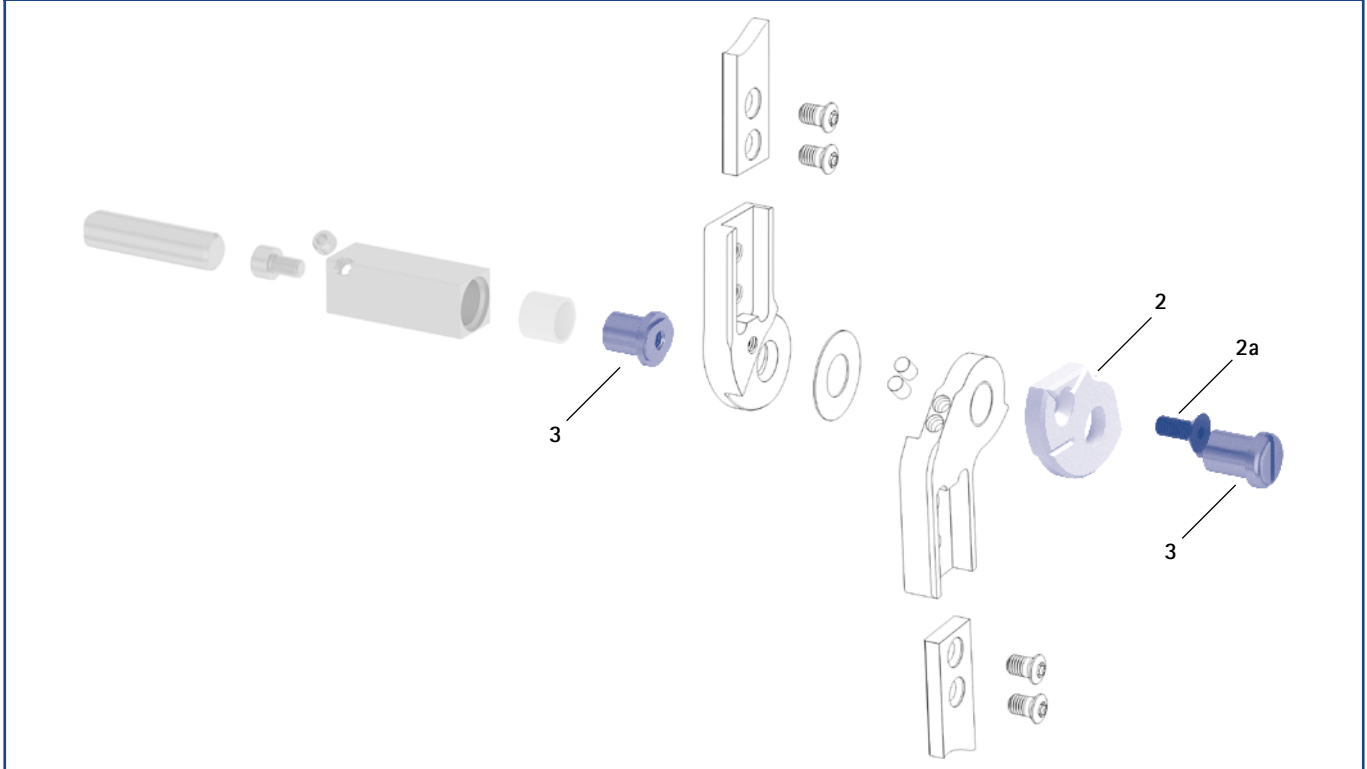
NEURO ACTIVE
Articulated System Side Bar

NEURO CLASSIC Carbon



Upper Parts					
Item	Article Number for System Width				Description
	12mm	14mm	16mm	20mm	
1	SL0101-L/ST	SL0102-L/ST	SL0103-L/ST	SL0105-L/ST	0° upper part, left lateral or right medial, straight, steel
1	SL0101-R/ST	SL0102-R/ST	SL0103-R/ST	SL0105-R/ST	0° upper part, left medial or right lateral, straight, steel
1	SL0101-L/TI	SL0102-L/TI	SL0103-L/TI	SL0105-L/TI	0° upper part, left lateral or right medial, straight, titanium
1	SL0101-R/TI	SL0102-R/TI	SL0103-R/TI	SL0105-R/TI	0° upper part, left medial or right lateral, straight, titanium
1	SL0121-L/ST	SL0122-L/ST	SL0123-L/ST	SL0125-L/ST	0° upper part, left lateral or right medial, bent inwards, steel
1	SL0121-R/ST	SL0122-R/ST	SL0123-R/ST	SL0125-R/ST	0° upper part, left medial or right lateral, bent inwards, steel
1	SL0121-L/TI	SL0122-L/TI	SL0123-L/TI	SL0125-L/TI	0° upper part, left lateral or right medial, bent inwards, titanium
1	SL0121-R/TI	SL0122-R/TI	SL0123-R/TI	SL0125-R/TI	0° upper part, left medial or right lateral, bent inwards, titanium
1	SL0121-8L/ST	SL0122-8L/ST	SL0123-8L/ST	SL0125-8L/ST	0° upper part, left lateral or right medial, bent outwards, steel
1	SL0121-8R/ST	SL0122-8R/ST	SL0123-8R/ST	SL0125-8R/ST	0° upper part, left medial or right lateral, bent outwards, steel
1	SL0121-8L/TI	SL0122-8L/TI	SL0123-8L/TI	SL0125-8L/TI	0° upper part, left lateral or right medial, bent outwards, titanium
1	SL0121-8R/TI	SL0122-8R/TI	SL0123-8R/TI	SL0125-8R/TI	0° upper part, left medial or right lateral, bent outwards, titanium

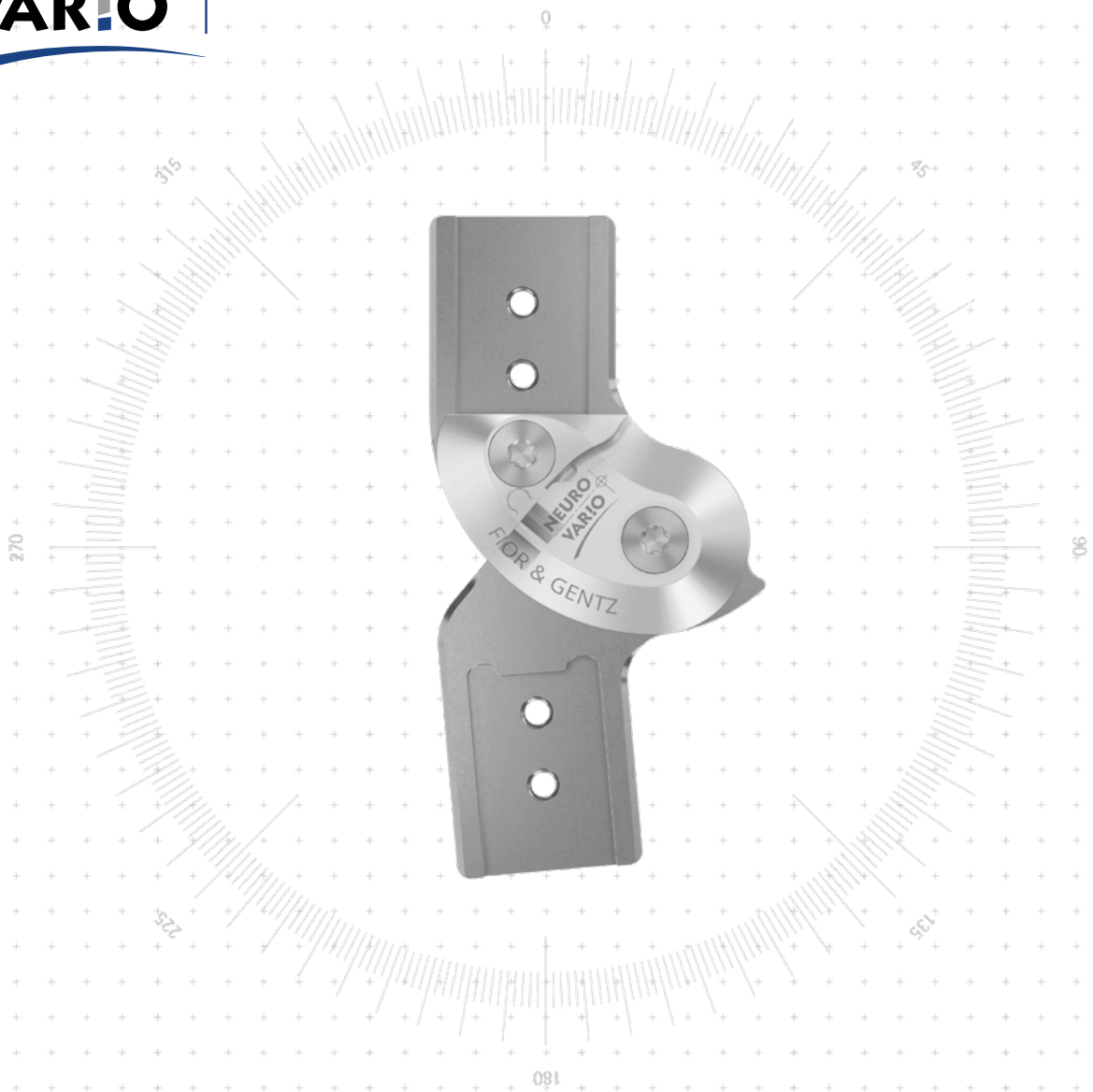
Assembly/Lamination Dummies and Joint Retainers



Assembly/Lamination Dummies and Joint Retainers						
Item	Article Number for System Width				Description	Unit
	12mm	14mm	16mm	20mm		
2	SL0911-L	SL0912-L	SL0913-L	SL0915-L	assembly/lamination dummy, left lateral or right medial	piece
2	SL0911-R	SL0912-R	SL0913-R	SL0915-R	assembly/lamination dummy, left medial or right lateral	piece
2a	SC1054-L12	SC1055-L12	SC1055-L12	SC1055-L16	countersunk flat head screw with hexagon socket	piece
3	PE1012-LR	PE1013-LR	PE1025-LR	PE1025-LR	joint retainer	piece
	4/B	5/C	7/C	7/C	laser marking	-

- ➔ Assembly/lamination dummies are included in the scope of delivery of the system joints.
- ➔ You will find an overview of our tools on catalogue page J1ff.
- ➔ You will also find the joint retainers and the corresponding laser markings in the tool case on the catalogue pages J13 and J14.

NEURO VARIO



Main Function



monocentric, free moving with posterior offset

- preassembled in 5° flexion

Type of Extension Stop

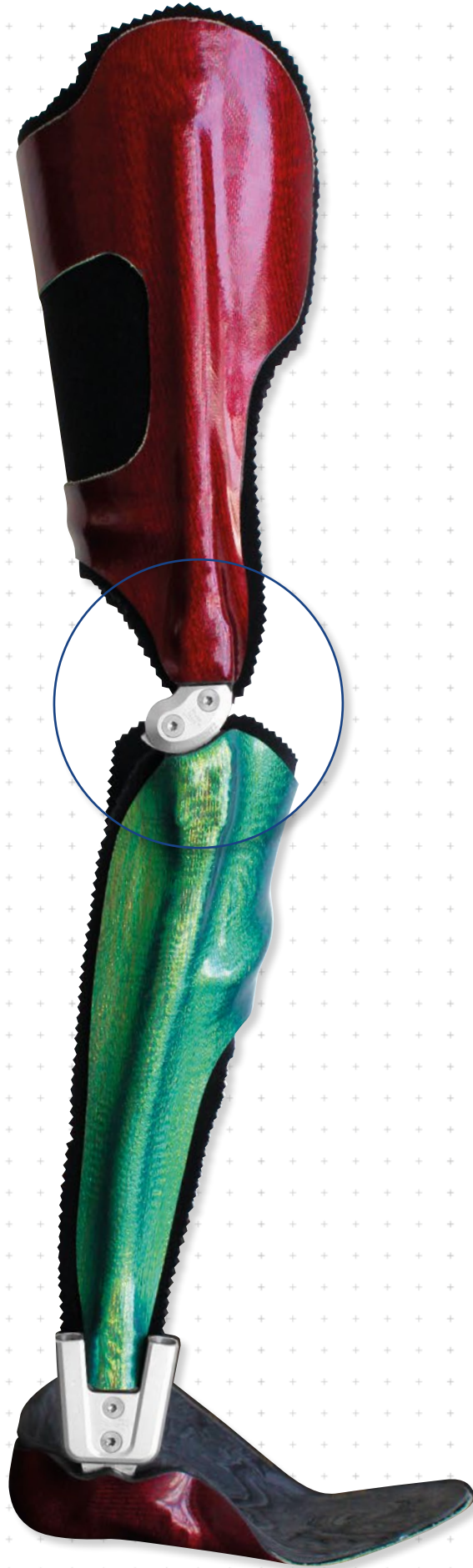


static extension stop, exchangeable

Adjustment Options

range of motion in extension can be limited as required by exchanging the extension stop

The NEURO VARIO system knee joint can be used as a supporting joint for the NEURO MATIC, NEURO TRONIC, NEURO HiTRONIC, NEURO LOCK MAX, NEURO FLEX MAX with lock function and NEURO FLEX MAX with step lock function system knee joints.



NEURO CLASSIC

NEURO VARIO

NEURO VARIO 2

NEURO VARIO-SWING

NEURO ACTIVE
System Knee Joint

NEURO ACTIVE
Articulated System Side Bar

NEURO CLASSIC Carbon



12mm



14mm



16mm



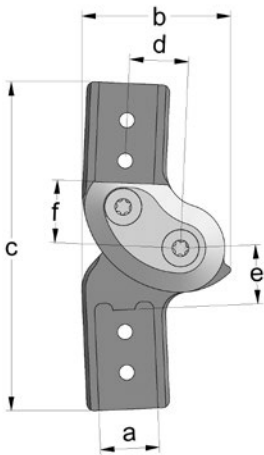
20mm

Joint Dimensions [mm]

Dimension	Description	System Width a			
		12mm	14mm	16mm	20mm
b	joint head width	29.5	34	40	50
c	joint height	67	76	89	100
d	posterior offset	12	14	16	20
e	distance pivot point - lower system case	13	13	16	18.5
f	distance pivot point - upper system case	13	14.5	17	19
	joint thickness	14	14	15	16

Joint Weights [g]

Material	Unit	System Width			
		12mm	14mm	16mm	20mm
steel	piece	65	89	136	221
titanium	piece	42	58	86	136



The NEURO VARIO system knee joint is delivered with the following articles:

- pan head screw for exchanging extension stops
- orthosis joint grease, 3g
- assembly/lamination dummy

- ➔ Please order system side bars/anchors separately.
- ➔ You will find system side bars/anchors on catalogue page I1ff.



straight
fig. 1



bent inwards distally
fig. 2



bent outwards distally
fig. 3



bent inwards
proximally and distally
fig. 4



bent outwards
proximally and distally
fig. 5

Straight (Fig. 1)

Material	Leg Side	Unit	Article Number for System Width			
			12mm	14mm	16mm	20mm
steel	left lateral or right medial	piece	SK1361-L/ST	SK1362-L/ST	SK1363-L/ST	SK1365-L/ST
	left medial or right lateral	piece	SK1361-R/ST	SK1362-R/ST	SK1363-R/ST	SK1365-R/ST
titanium	left lateral or right medial	piece	SK1361-L/TI	SK1362-L/TI	SK1363-L/TI	SK1365-L/TI
	left medial or right lateral	piece	SK1361-R/TI	SK1362-R/TI	SK1363-R/TI	SK1365-R/TI

Bent Inwards Distally (Fig. 2)

Material	Leg Side	Unit	Article Number for System Width			
			12mm	14mm	16mm	20mm
steel	left lateral or right medial	piece	SK1381-L/ST	SK1382-L/ST	SK1383-L/ST	SK1385-L/ST
	left medial or right lateral	piece	SK1381-R/ST	SK1382-R/ST	SK1383-R/ST	SK1385-R/ST
titanium	left lateral or right medial	piece	SK1381-L/TI	SK1382-L/TI	SK1383-L/TI	SK1385-L/TI
	left medial or right lateral	piece	SK1381-R/TI	SK1382-R/TI	SK1383-R/TI	SK1385-R/TI

Bent Outwards Distally (Fig. 3)

Material	Leg Side	Unit	Article Number for System Width			
			12mm	14mm	16mm	20mm
steel	left lateral or right medial	piece	SK1391-L/ST	SK1392-L/ST	SK1393-L/ST	SK1395-L/ST
	left medial or right lateral	piece	SK1391-R/ST	SK1392-R/ST	SK1393-R/ST	SK1395-R/ST
titanium	left lateral or right medial	piece	SK1391-L/TI	SK1392-L/TI	SK1393-L/TI	SK1395-L/TI
	left medial or right lateral	piece	SK1391-R/TI	SK1392-R/TI	SK1393-R/TI	SK1395-R/TI

Bent Inwards Proximally and Distally (Fig. 4)

Material	Leg Side	Unit	Article Number for System Width			
			12mm	14mm	16mm	20mm
steel	left lateral or right medial	piece	SK1331-L/ST	SK1332-L/ST	SK1333-L/ST	SK1335-L/ST
	left medial or right lateral	piece	SK1331-R/ST	SK1332-R/ST	SK1333-R/ST	SK1335-R/ST
titanium	left lateral or right medial	piece	SK1331-L/TI	SK1332-L/TI	SK1333-L/TI	SK1335-L/TI
	left medial or right lateral	piece	SK1331-R/TI	SK1332-R/TI	SK1333-R/TI	SK1335-R/TI

Bent Outwards Proximally and Distally (Fig. 5)

Material	Leg Side	Unit	Article Number for System Width			
			12mm	14mm	16mm	20mm
steel	left lateral or right medial	piece	SK1491-L/ST	SK1492-L/ST	SK1493-L/ST	SK1495-L/ST
	left medial or right lateral	piece	SK1491-R/ST	SK1492-R/ST	SK1493-R/ST	SK1495-R/ST
titanium	left lateral or right medial	piece	SK1491-L/TI	SK1492-L/TI	SK1493-L/TI	SK1495-L/TI
	left medial or right lateral	piece	SK1491-R/TI	SK1492-R/TI	SK1493-R/TI	SK1495-R/TI

NEURO CLASSIC

NEURO VARIO

NEURO VARIO 2

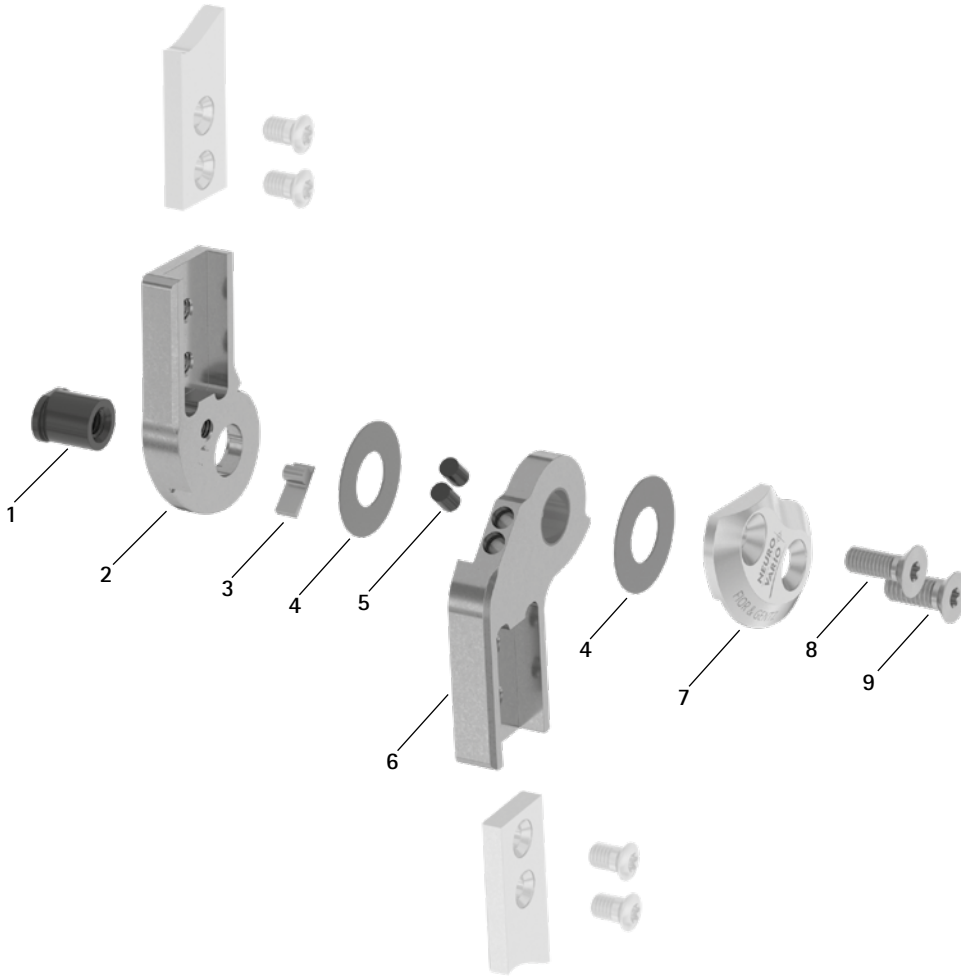
NEURO VARIO-SWING

NEURO ACTIVE
System Knee Joint

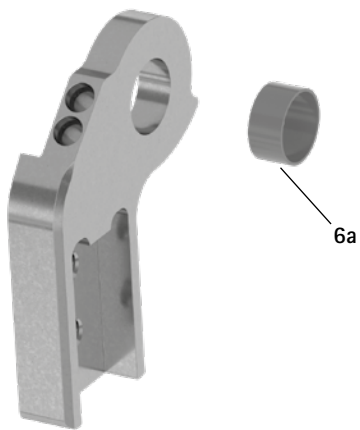
NEURO ACTIVE
Articulated System Side Bar

NEURO CLASSIC Carbon

Spare Parts



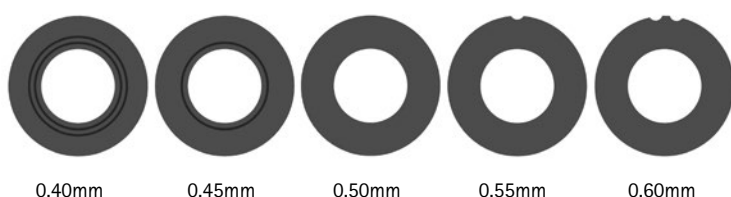
Lower Part with Sliding Bushing, Preassembled (6)



Spare Parts					
Item	Article Number for System Width				Description
	12mm	14mm	16mm	20mm	
1	SB8559-L0930	SB9669-L0950	SB1069-L1060	SB1069-L1220	bearing nut
2	SK0141-2L/ST	SK0142-2L/ST	SK0143-2L/ST	SK0145-2L/ST	upper part, left lateral or right medial, straight, steel
2	SK0141-2R/ST	SK0142-2R/ST	SK0143-2R/ST	SK0145-2R/ST	upper part, left medial or right lateral, straight, steel
2	SK0141-2L/TI	SK0142-2L/TI	SK0143-2L/TI	SK0145-2L/TI	upper part, left lateral or right medial, straight, titanium
2	SK0141-2R/TI	SK0142-2R/TI	SK0143-2R/TI	SK0145-2R/TI	upper part, left medial or right lateral, straight, titanium
2	SK0161-2L/ST	SK0162-2L/ST	SK0163-2L/ST	SK0165-2L/ST	upper part, left lateral or right medial, bent inwards, steel
2	SK0161-2R/ST	SK0162-2R/ST	SK0163-2R/ST	SK0165-2R/ST	upper part, left medial or right lateral, bent inwards, steel
2	SK0161-2L/TI	SK0162-2L/TI	SK0163-2L/TI	SK0165-2L/TI	upper part, left lateral or right medial, bent inwards, titanium
2	SK0161-2R/TI	SK0162-2R/TI	SK0163-2R/TI	SK0165-2R/TI	upper part, left medial or right lateral, bent inwards, titanium
2	SK0161-9L/ST	SK0162-9L/ST	SK0163-9L/ST	SK0165-9L/ST	upper part, left lateral or right medial, bent outwards, steel
2	SK0161-9R/ST	SK0162-9R/ST	SK0163-9R/ST	SK0165-9R/ST	upper part, left medial or right lateral, bent outwards, steel
2	SK0161-9L/TI	SK0162-9L/TI	SK0163-9L/TI	SK0165-9L/TI	upper part, left lateral or right medial, bent outwards, titanium
2	SK0161-9R/TI	SK0162-9R/TI	SK0163-9R/TI	SK0165-9R/TI	upper part, left medial or right lateral, bent outwards, titanium
3	SK9521-E005	SK9522-E005	SK9523-E005	SK9525-E005	5° extension stop
4	GS1609-*	GS1910-*	GS2311-*	GS2611-*	sliding washer*
5	PN1000-L05/5	PN1000-L05/5	PN1000-L05/5	PN1000-L05/5	extension stop damper
6	SL0111-L/ST	SL0112-L/ST	SL0113-L/ST	SL0115-L/ST	lower part with sliding bushing, left lateral or right medial, straight, steel
6	SL0111-R/ST	SL0112-R/ST	SL0113-R/ST	SL0115-R/ST	lower part with sliding bushing, left medial or right lateral, straight, steel
6	SL0111-L/TI	SL0112-L/TI	SL0113-L/TI	SL0115-L/TI	lower part with sliding bushing, left lateral or right medial, straight, titanium
6	SL0111-R/TI	SL0112-R/TI	SL0113-R/TI	SL0115-R/TI	lower part with sliding bushing, left medial or right lateral, straight, titanium
6	SL0131-L/ST	SL0132-L/ST	SL0133-L/ST	SL0135-L/ST	lower part with sliding bushing, left lateral or right medial, bent inwards, steel
6	SL0131-R/ST	SL0132-R/ST	SL0133-R/ST	SL0135-R/ST	lower part with sliding bushing, left medial or right lateral, bent inwards, steel
6	SL0131-L/TI	SL0132-L/TI	SL0133-L/TI	SL0135-L/TI	lower part with sliding bushing, left lateral or right medial, bent inwards, titanium
6	SL0131-R/TI	SL0132-R/TI	SL0133-R/TI	SL0135-R/TI	lower part with sliding bushing, left medial or right lateral, bent inwards, titanium
6	SL0131-8L/ST	SL0132-8L/ST	SL0133-8L/ST	SL0135-8L/ST	lower part with sliding bushing, left lateral or right medial, bent outwards, steel
6	SL0131-8R/ST	SL0132-8R/ST	SL0133-8R/ST	SL0135-8R/ST	lower part with sliding bushing, left medial or right lateral, bent outwards, steel
6	SL0131-8L/TI	SL0132-8L/TI	SL0133-8L/TI	SL0135-8L/TI	lower part with sliding bushing, left lateral or right medial, bent outwards, titanium
6	SL0131-8R/TI	SL0132-8R/TI	SL0133-8R/TI	SL0135-8R/TI	lower part with sliding bushing, left medial or right lateral, bent outwards, titanium
6a	BP1009-L050	BP1110-L050	BP1211-L055	BP1211-L060	sliding bushing
7	SK0191-L/AL	SK0192-L/AL	SK0193-L/AL	SK0195-L/AL	cover plate, left lateral or right medial, aluminium
7	SK0191-R/AL	SK0192-R/AL	SK0193-R/AL	SK0195-R/AL	cover plate, left medial or right lateral, aluminium
8	SC1404-L12	SC1405-L12	SC1405-L14	SC1405-L14	countersunk flat head screw with hexalobular socket
9	SC1405-L12	SC1405-L12	SC1406-L14	SC1406-L14	countersunk flat head screw with hexalobular socket (axle screw)
w/o fig.	SC0403-L08	SC0403-L08	SC0403-L10	SC0403-L10	pan head screw for exchanging extension stops

* Sliding Washers				
Article Number for System Width				
12mm	14mm	16mm	20mm	
Ø = 16mm	Ø = 19mm	Ø = 23mm	Ø = 26mm	
GS1609-040	GS1910-040	GS2311-040	GS2611-040	
GS1609-045	GS1910-045	GS2311-045	GS2611-045	
GS1609-050	GS1910-050	GS2311-050	GS2611-050	
GS1609-055	GS1910-055	GS2311-055	GS2611-055	
GS1609-060	GS1910-060	GS2311-060	GS2611-060	

The last three digits of the article number stand for the thickness of the sliding washer, e.g. GS1407-040. The thickness of this sliding washer is 0.40mm. In total, the sliding washers are available in five different thicknesses. The thickness of a sliding washer is indicated by the markings. For example, a sliding washer with two grooves is 0.40mm thick, whereas a sliding washer with one notch is 0.55mm thick.



➔ You will find system side bars and system anchors on catalogue page I1ff.

NEURO CLASSIC

NEURO VARIO

NEURO VARIO 2

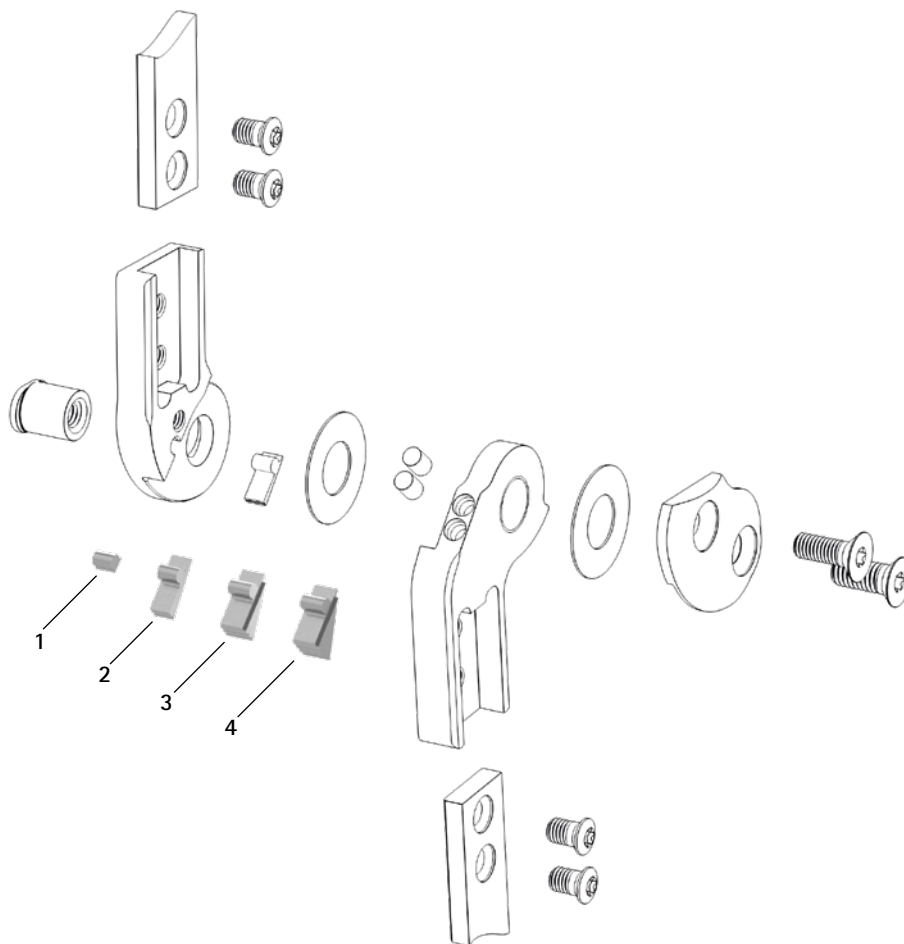
NEURO VARIO-SWING

NEURO ACTIVE
System Knee Joint

NEURO ACTIVE
Articulated System Side Bar

NEURO CLASSIC Carbon

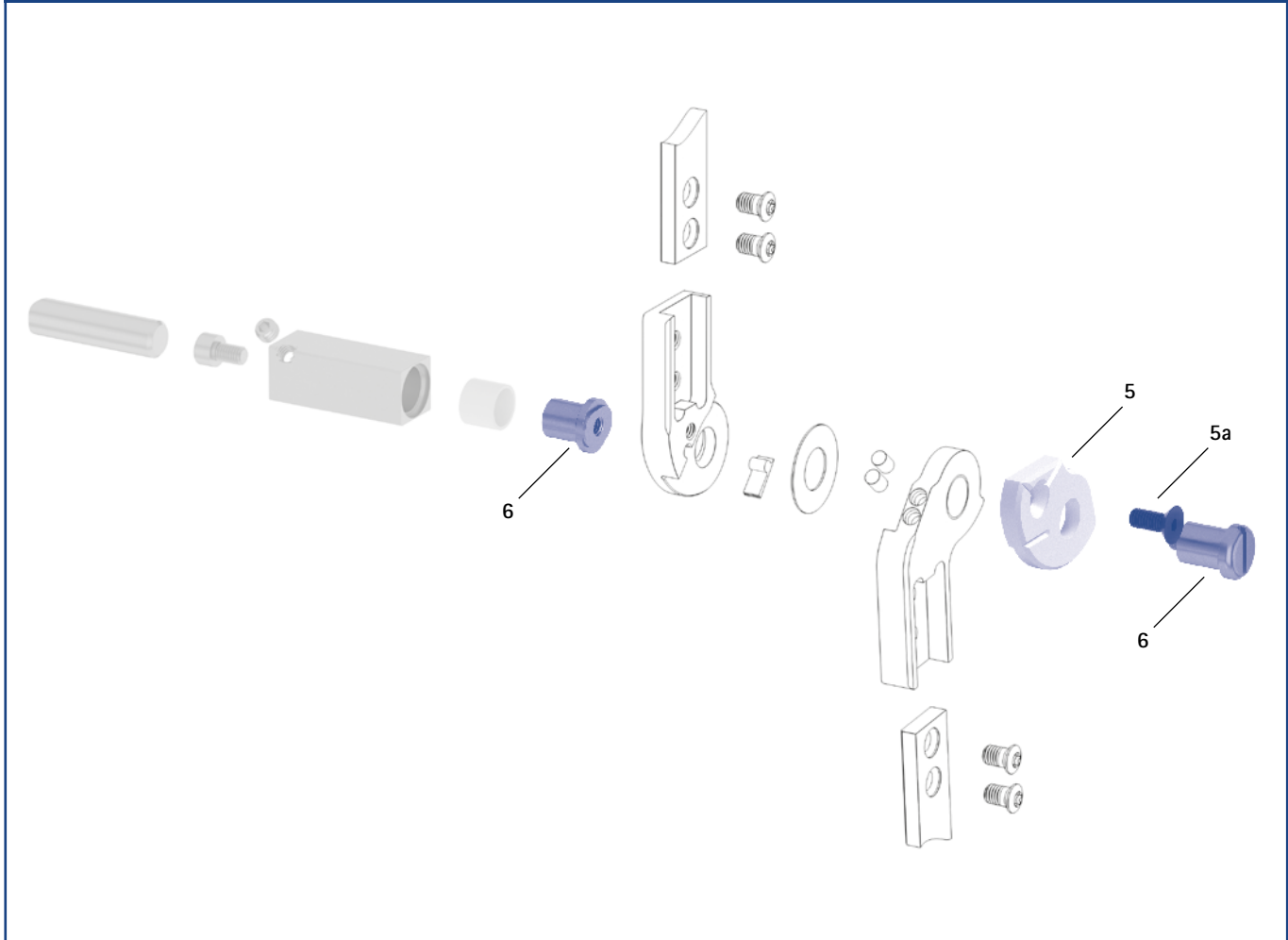
Extension Stops



Accessory Parts

Item	Article Number for System Width				Description
	12mm	14mm	16mm	20mm	
1	SJ9021-E000	SJ9022-E000	SJ9023-E000	SJ9025-E000	0° extension stop
2	SK9521-E010	SK9522-E010	SK9523-E010	SK9525-E010	10° extension stop
3	SK9521-E020	SK9522-E020	SK9523-E020	SK9525-E020	20° extension stop
4	SK9521-E030	SK9522-E030	SK9523-E030	SK9525-E030	30° extension stop
1-4	SK9521	SK9522	SK9523	SK9525	set of stops, 0°, 10°, 20°, 30° extension stops (1 of each)

Assembly/Lamination Dummies and Joint Retainers



Assembly/Lamination Dummies and Joint Retainers						
Item	Article Number for System Width				Description	Unit
	12mm	14mm	16mm	20mm		
5	SL0911-L	SL0912-L	SL0913-L	SL0915-L	assembly/lamination dummy, left lateral or right medial (1 dummy with screw)	piece
5	SL0911-R	SL0912-R	SL0913-R	SL0915-R	assembly/lamination dummy, left medial or right lateral (1 dummy with screw)	piece
5a	SC1054-L12	SC1055-L12	SC1055-L12	SC1055-L16	countersunk flat head screw with hexagon socket	piece
6	PE1012-LR	PE1013-LR	PE1025-LR	PE1025-LR	joint retainer	piece
	4/B	5/C	7/C	7/C	laser marking	-

- ➔ Assembly/lamination dummies are included in the scope of delivery of the system joints.
- ➔ You will find an overview of our tools on catalogue page J1ff.
- ➔ You will also find the joint retainers and the corresponding laser markings in the tool case on the catalogue pages J13 and J14.

NEURO CLASSIC

NEURO VARIO

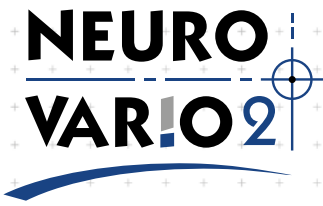
NEURO VARIO 2

NEURO VARIO-SWING

NEURO ACTIVE
System Knee Joint

NEURO ACTIVE
Articulated System Side Bar

NEURO CLASSIC Carbon



Main Function



monocentric, free moving with posterior offset

Type of Extension Stop



static extension stop, adjustable

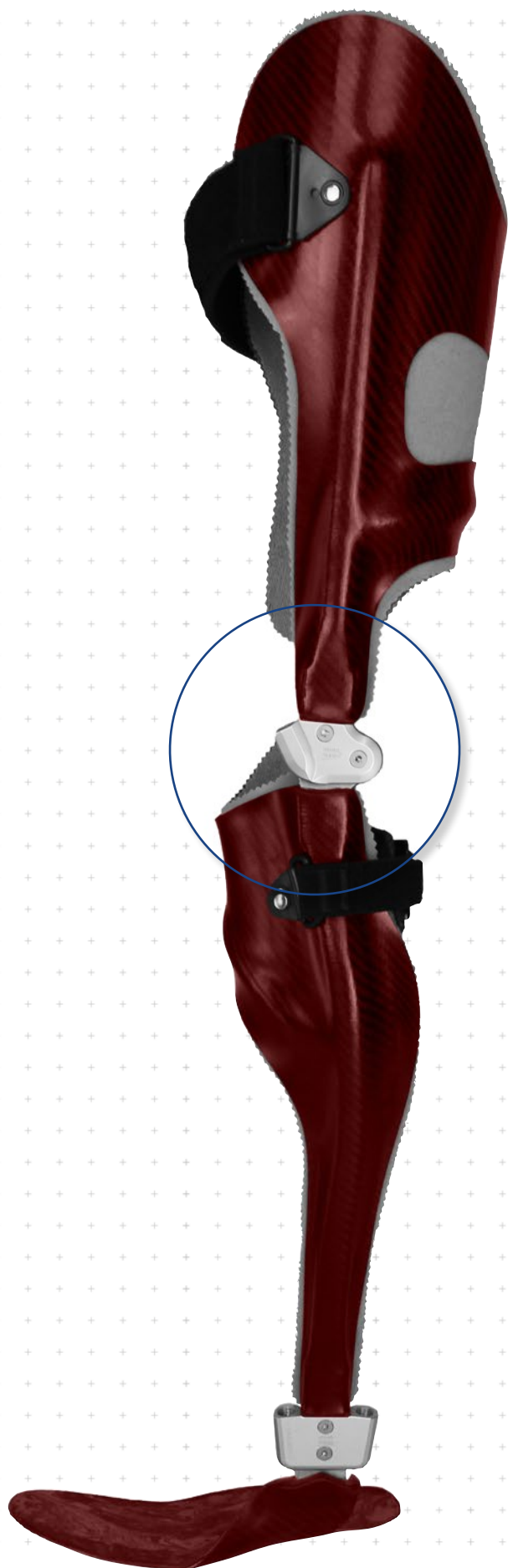
Adjustment Options

The extension stop can be infinitely adjusted (0°-20°) by using the alignment screw.

The NEURO VARIO 2 system knee joint can be used as a supporting joint for the NEURO VARIO-SWING system knee joint.



The NEURO VARIO 2 system knee joint can be converted into the NEURO VARIO-SWING system knee joint by exchanging the functional unit.



NEURO CLASSIC

NEURO VARIO

NEURO VARIO 2

NEURO VARIO-SWING

NEURO ACTIVE
System Knee Joint

NEURO ACTIVE
Articulated System Side Bar

NEURO CLASSIC Carbon

NEURO CLASSIC

NEURO VARIO

NEURO VARIO 2

NEURO VARIO-SWING

NEURO ACTIVE
System Knee Joint

NEURO ACTIVE
Articulated System Side Bar

NEURO CLASSIC Carbon



12 mm

14 mm

16 mm

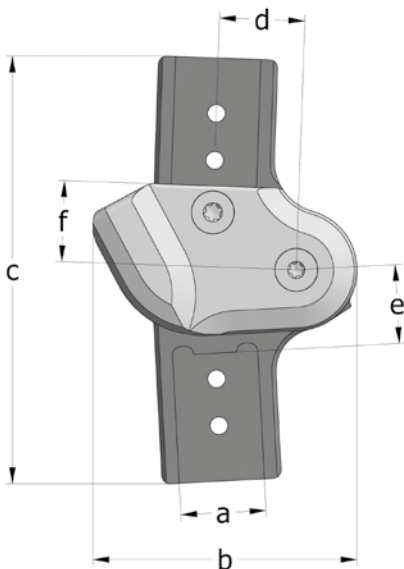
20 mm

Joint Dimensions [mm]

Dimension	Description	System Width a			
		12 mm	14 mm	16 mm	20 mm
b	joint head width	37	44	52	62
c	joint height	67	76	89	100
d	posterior offset	12	14	16	20
e	distance pivot point - lower system case	13	13	16	18,5
f	distance pivot point - upper system case	13	14,5	17	19
	joint thickness	14	14	16	19

Joint Weights [g]

Material	Unit	System Width a			
		12 mm	14 mm	16 mm	20 mm
titanium	piece	47	63	103	162



The NEURO VARIO 2 system knee joint is delivered with the following articles:

orthotic joint grease, 3g

assembly/lamination dummy

➔ Please order system side bars/anchors separately.

➔ You will find system side bars/anchors on catalogue page I1ff.



straight
fig. 1



bent inwards distally
fig. 2



bent outwards distally
fig. 3



bent inwards
proximally and distally
fig. 4



bent outwards
proximally and distally
fig. 5

Straight (Fig. 1)

Material	Leg Side	Unit	Article Number for System Width			
			12 mm	14 mm	16 mm	20 mm
titanium	left lateral or right medial	piece	SL2301-L/TI	SL2302-L/TI	SL2303-L/TI	SL2305-L/TI
	left medial or right lateral	piece	SL2301-R/TI	SL2302-R/TI	SL2303-R/TI	SL2305-R/TI

Bent Inwards Distally (Fig. 2)

Material	Leg Side	Unit	Article Number for System Width	
			16 mm	20 mm
titanium	left lateral or right medial	piece	SL2373-L/TI	SL2375-L/TI
	left medial or right lateral	piece	SL2373-R/TI	SL2375-R/TI

Bent Outwards Distally (Fig. 3)

Material	Leg Side	Unit	Article Number for System Width	
			16 mm	20 mm
titanium	left lateral or right medial	piece	SL2393-L/TI	SL2395-L/TI
	left medial or right lateral	piece	SL2393-R/TI	SL2395-R/TI

Bent Inwards Proximally and Distally (Fig. 4)

Material	Leg Side	Unit	Article Number for System Width	
			16 mm	20 mm
titanium	left lateral or right medial	piece	SL2323-L/TI	SL2325-L/TI
	left medial or right lateral	piece	SL2323-R/TI	SL2325-R/TI

Bent Outwards Proximally and Distally (Fig. 5)

Material	Leg Side	Unit	Article Number for System Width	
			16 mm	20 mm
titanium	left lateral or right medial	piece	SL2383-L/TI	SL2385-L/TI
	left medial or right lateral	piece	SL2383-R/TI	SL2385-R/TI

NEURO CLASSIC

NEURO VARIO

NEURO VARIO 2

NEURO VARIO-SWING

NEURO ACTIVE
System Knee Joint

NEURO ACTIVE
Articulated System Side Bar

NEURO CLASSIC Carbon

NEURO CLASSIC

NEURO VARIO

NEURO VARIO 2

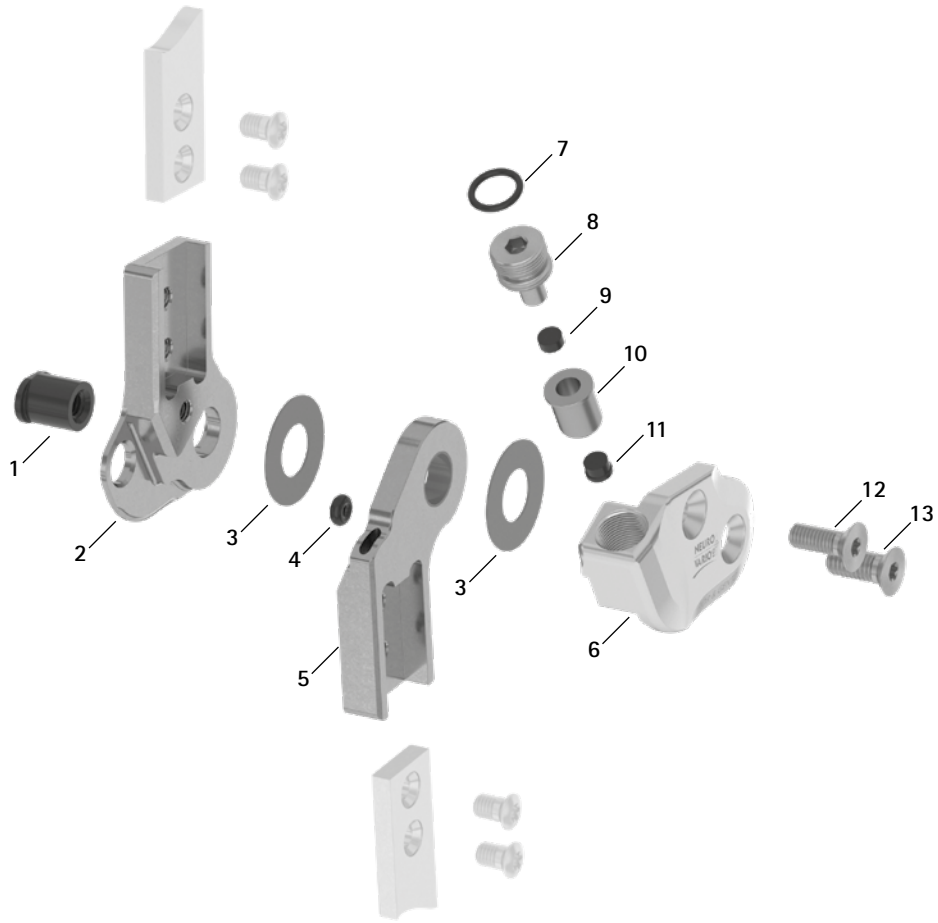
NEURO VARIO-SWING

NEURO ACTIVE
System Knee Joint

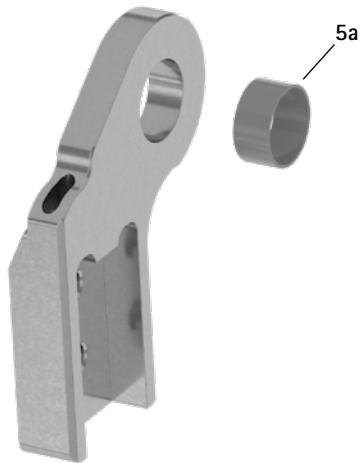
NEURO ACTIVE
Articulated System Side Bar

NEURO CLASSIC Carbon

Spare Parts



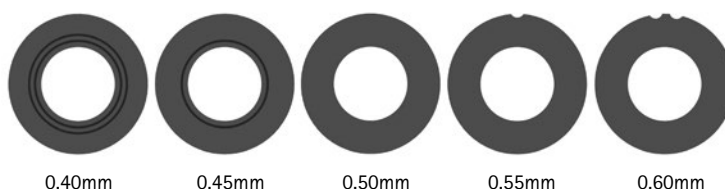
Lower Part with Sliding Bushing, Preassembled (5)



Spare Parts					
Item	Article Number for System Width				Description
	12 mm	14 mm	16 mm	20 mm	
1	SB8559-L0930	SB9669-L0950	SB1069-L1060	SB1069-L1220	bearing nut
2	SL0201-L/TI	SL0202-L/TI	SL0203-L/TI	SL0205-L/TI	upper part, left lateral or right medial, straight, titanium
2	SL0201-R/TI	SL0202-R/TI	SL0203-R/TI	SL0205-R/TI	upper part, left medial or right lateral, straight, titanium
2	-	-	SL0223-L/TI	SL0225-L/TI	upper part, left lateral or right medial, bent inwards, titanium
2	-	-	SL0223-R/TI	SL0225-R/TI	upper part, left medial or right lateral, bent inwards, titanium
2	-	-	SL0223-8L/TI	SL0225-8L/TI	upper part, left lateral or right medial, bent outwards, titanium
2	-	-	SL0223-8R/TI	SL0225-8R/TI	upper part, left medial or right lateral, bent outwards, titanium
3	GS1609-*	GS1910-*	GS2311-*	GS2611-*	sliding washer*
4	VE3771-010/20	VE3771-010/20	VE3771-012/26	VE3771-012/26	O-ring damper
5	SL0211-L/TI	SL0212-L/TI	SL0213-L/TI	SL0215-L/TI	lower part with sliding bushing, left lateral or right medial, straight, titanium
5	SL0211-R/TI	SL0212-R/TI	SL0213-R/TI	SL0215-R/TI	lower part with sliding bushing, left medial or right lateral, straight, titanium
5	-	-	SL0233-L/TI	SL0235-L/TI	lower part with sliding bushing, left lateral or right medial, bent inwards, titanium
5	-	-	SL0233-R/TI	SL0235-R/TI	lower part with sliding bushing, left medial or right lateral, bent inwards, titanium
5	-	-	SL0233-8L/TI	SL0235-8L/TI	lower part with sliding bushing, left lateral or right medial, bent outwards, titanium
5	-	-	SL0233-8R/TI	SL0235-8R/TI	lower part with sliding bushing, left medial or right lateral, bent outwards, titanium
5a	BP1009-L050	BP1110-L050	BP1211-L055	BP1211-L060	sliding bushing
6	SL0261-L/AL	SL0262-L/AL	SL0263-L/AL	SL0265-L/AL	cover plate, left lateral or right medial, aluminium
6	SL0261-R/AL	SL0262-R/AL	SL0263-R/AL	SL0265-R/AL	cover plate, left medial or right lateral, aluminium
7	VE3771-040/10	VE3771-050/10	VE3771-08/15	VE3771-09/15	O-ring for securing the alignment screw
8	SC9607-L04/S	SC9608-L06/S	SC9611-L08/S	SC9612-L08/S	alignment screw
9	PN0003-L02	PN0004-L02	PN0005-L02	PN0006-L02	stop damper
10	SL0281-06	SL0282-07	SL0283-10	SL0285-11	guide ring
11	SL0281-04	SL0282-04	SL0283-05	SL0285-06	extension stop
12	SC1404-L12	SC1405-L12	SC1405-L14	SC1405-L14	countersunk flat head screw with hexalobular socket
13	SC1405-L12	SC1405-L12	SC1406-L14	SC1406-L14	countersunk flat head screw with hexalobular socket (axle screw)
6-13	SL2931-L	SL2932-L	SL2933-L	SL2935-L	functional unit plug + go modularity, left lateral or right medial
6-13	SL2931-R	SL2932-R	SL2933-R	SL2935-R	functional unit plug + go modularity, left medial or right lateral

* Sliding Washers				
	Article Number for System Width			
	12 mm	14 mm	16 mm	20 mm
Ø = 16 mm	Ø = 19 mm	Ø = 23 mm	Ø = 26 mm	
GS1609-040	GS1910-040	GS2311-040	GS2611-040	
GS1609-045	GS1910-045	GS2311-045	GS2611-045	
GS1609-050	GS1910-050	GS2311-050	GS2611-050	
GS1609-055	GS1910-055	GS2311-055	GS2611-055	
GS1609-060	GS1910-060	GS2311-060	GS2611-060	

The last three digits of the article number stand for the thickness of the sliding washer, e.g. GS1609-040. The thickness of this sliding washer is 0.40mm. In total, the sliding washers are available in five different thicknesses. The thickness of a sliding washer is indicated by the markings. For example, a sliding washer with two grooves is 0.40mm thick, whereas a sliding washer with one notch is 0.55mm thick.



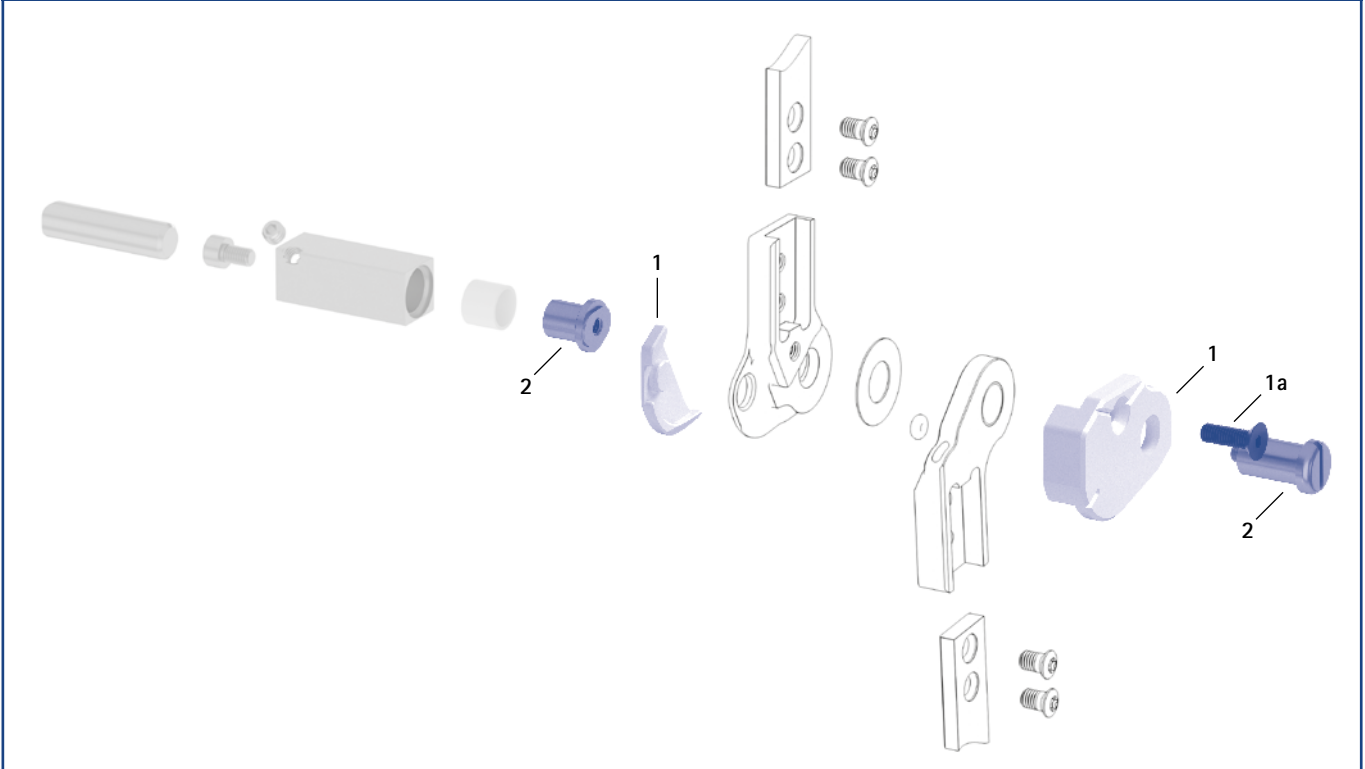
➔ You will find system side bars and system anchors on catalogue page I1ff.

NEURO CLASSIC

NEURO VARIO

NEURO VARIO 2

Assembly/Lamination Dummies and Joint Retainers



Assembly/Lamination Dummies and Joint Retainers

Item	Article Number for System Width				Description	Unit
	12mm	14mm	16mm	20mm		
1	SL0921-L	SL0922-L	SL0923-L	SL0925-L	assembly/lamination dummy, left lateral or right medial, two parts (2 dummies with screw)	set
1	SL0921-R	SL0922-R	SL0923-R	SL0925-R	assembly/lamination dummy, left medial or right lateral, two parts (2 dummies with screw)	set
1a	SC1054-L12	SC1055-L12	SC1055-L12	SC1055-L16	countersunk flat head screw with hexagon socket	piece
2	PE1012-LR	PE1013-LR	PE1025-LR	PE1025-LR	joint retainer	piece
	4/B	5/C	7/C	7/C	laser marking	-

➔ Assembly/lamination dummies are included in the scope of delivery of the system joints.

➔ You will find an overview of our tools on catalogue page J1ff.

➔ You will also find the joint retainers and the corresponding laser markings in the tool case on the catalogue pages J13 and J14.

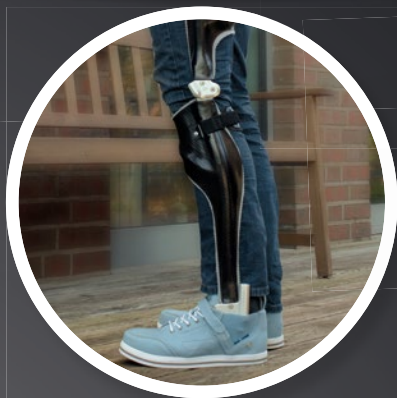
NEURO ACTIVE
System Knee Joint

NEURO ACTIVE
Articulated System Side Bar

NEURO CLASSIC Carbon

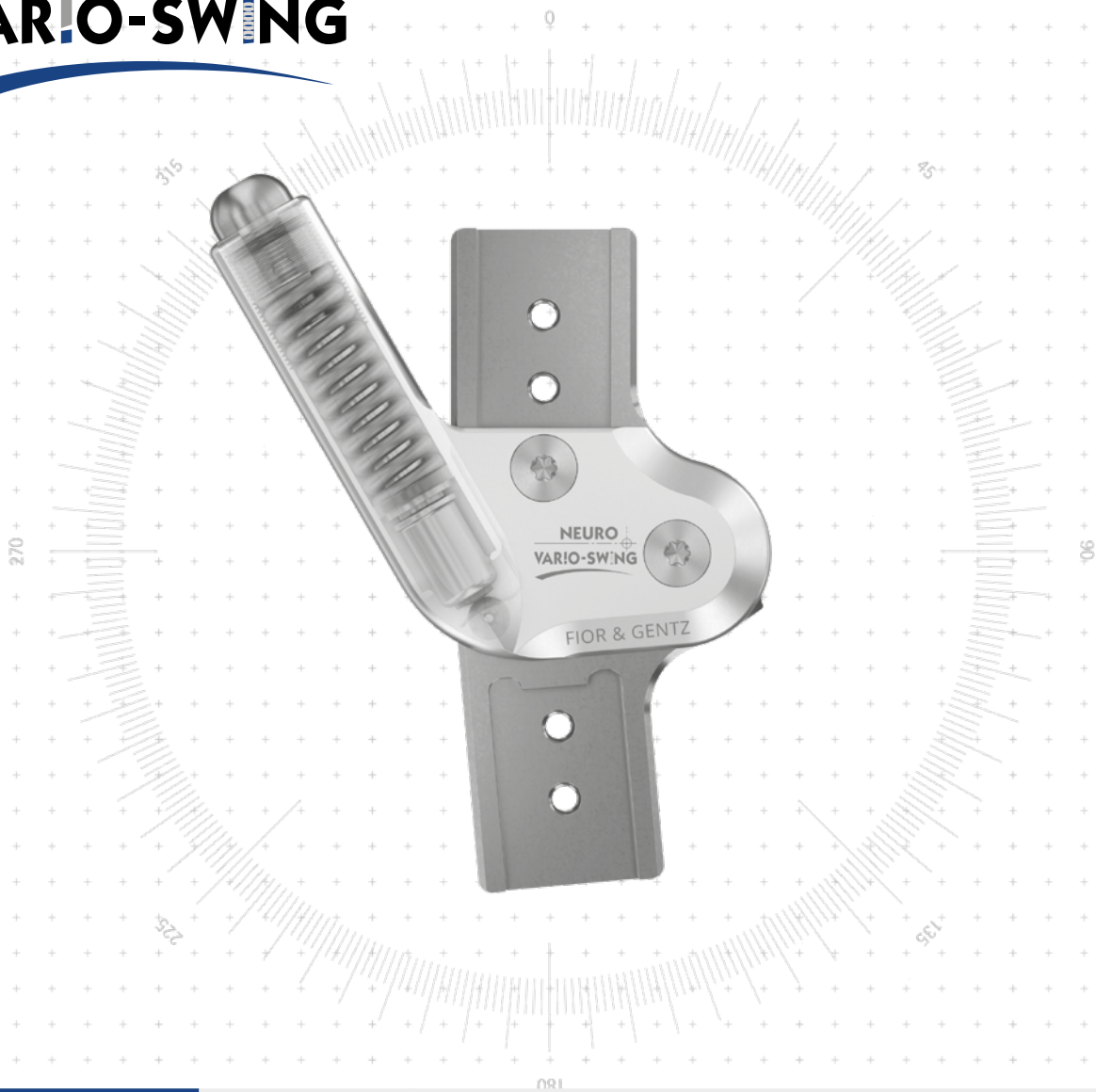
NEURO VARIO 2 NEURO VARIO-SWING

– Infinite Adjustability and Dynamic Features



plug+go
MODULARITY

NEURO VARIO-SWING



Main Function



monocentric, free moving with posterior offset

Type of Extension Stop



dynamic extension stop, adjustable

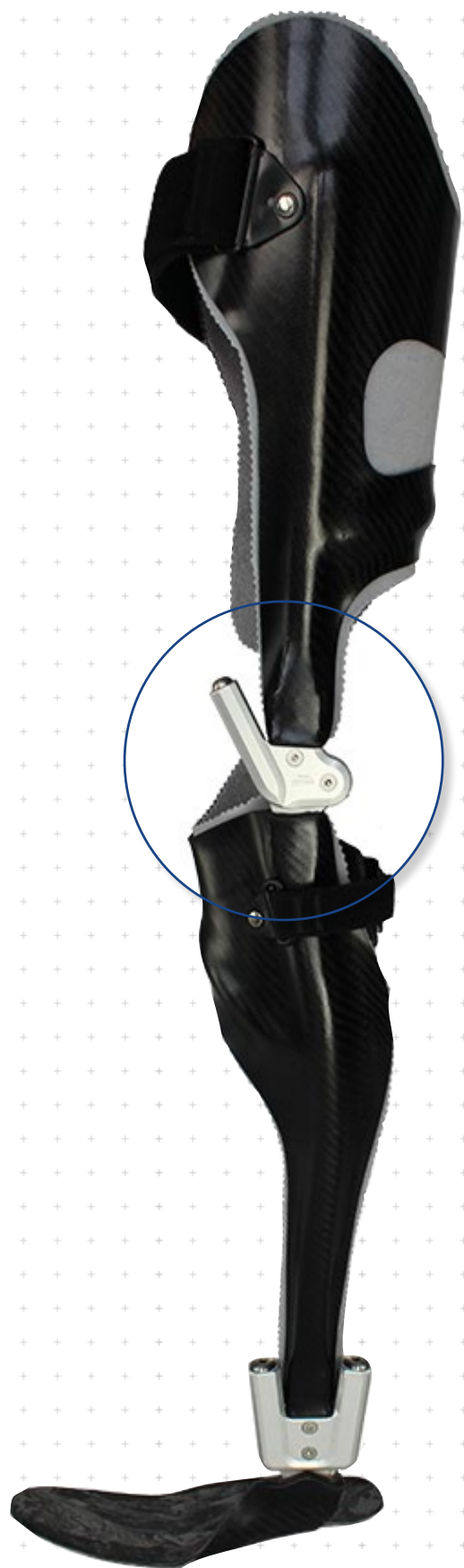
Adjustment Options

- extension stop can be infinitely adjusted (0°–20°) by using the alignment screw
- variable resistance of the dynamic extension stop by exchanging the premounted green spring unit
- range of motion of the spring's range can be infinitely limited as required by adjusting the motion limiting screw

The NEURO VARIO 2 system knee joint can be used as a supporting joint for the NEURO VARIO-SWING system knee joint.



The NEURO VARIO-SWING system knee joint can be converted into the NEURO VARIO 2 system knee joint by exchanging the functional unit.



NEURO CLASSIC

NEURO VARIO

NEURO VARIO 2

NEURO VARIO-SWING

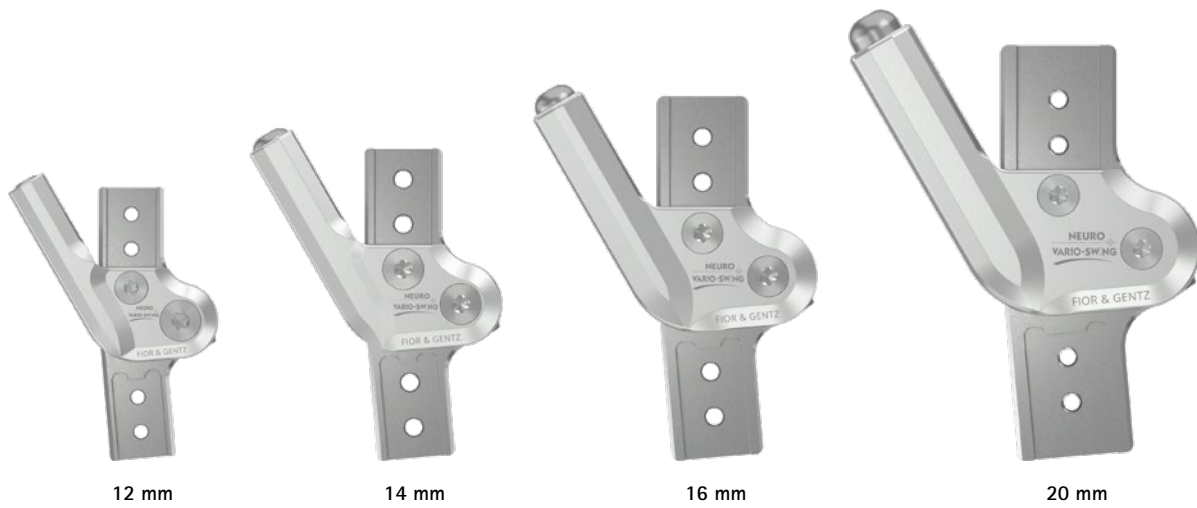
NEURO ACTIVE
System Knee Joint

NEURO ACTIVE
Articulated System Side Bar

NEURO CLASSIC Carbon

NEURO CLASSIC

NEURO VARIO



12 mm

14 mm

16 mm

20 mm

NEURO VARIO 2

Joint Dimensions [mm]

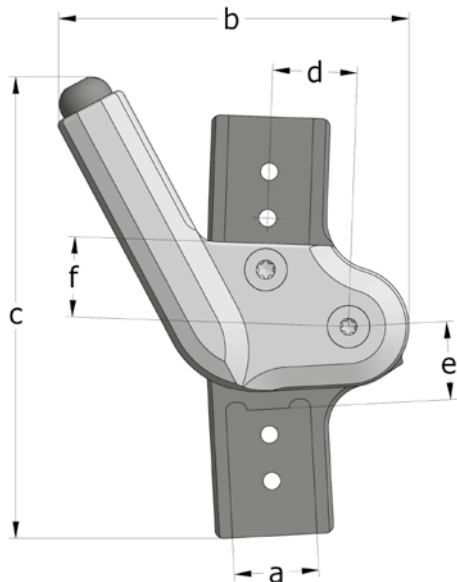
Dimension	Description	System Width a			
		12 mm	14 mm	16 mm	20 mm
b	joint head width	51	62	69	83
c	joint height	70,5	81,5	92	110
d	posterior offset	12	14	16	20
e	distance pivot point - lower system case	13	13	16	18
f	distance pivot point - upper system case	13	14,5	17	19
	joint thickness	14	14	16	19

NEURO VARIO-SWING

Joint Weights* [g]

Material	Unit	System Width			
		12 mm	14 mm	16 mm	20 mm
titanium	piece	59	81	132	197

* with premounted spring unit



NEURO ACTIVE
System Knee Joint

NEURO ACTIVE
Articulated System Side Bar

The NEURO VARIO-SWING system knee joint is delivered with the following articles:

orthosis joint grease, 3g

assembly/lamination dummy

spring unit, green, premounted

NEURO CLASSIC Carbon

➔ Please order system side bars/anchors separately.

➔ You will find system side bars/anchors on catalogue page I1ff.



straight
fig. 1



bent inwards distally
fig. 2



bent outwards distally
fig. 3



bent inwards
proximally and distally
fig. 4



bent outwards
proximally and distally
fig. 5

Straight (Fig. 1)

Material	Leg Side	Unit	Article Number for System Width			
			12 mm	14 mm	16 mm	20 mm
titanium	left lateral or right medial	piece	SL2501-L/TI	SL2502-L/TI	SL2503-L/TI	SL2505-L/TI
	left medial or right lateral	piece	SL2501-R/TI	SL2502-R/TI	SL2503-R/TI	SL2505-R/TI

Bent Inwards Distally (Fig. 2)

Material	Leg Side	Unit	Article Number for System Width	
			16 mm	20 mm
titanium	left lateral or right medial	piece	SL2573-L/TI	SL2575-L/TI
	left medial or right lateral	piece	SL2573-R/TI	SL2575-R/TI

Bent Outwards Distally (Fig. 3)

Material	Leg Side	Unit	Article Number for System Width	
			16 mm	20 mm
titanium	left lateral or right medial	piece	SL2593-L/TI	SL2595-L/TI
	left medial or right lateral	piece	SL2593-R/TI	SL2595-R/TI

Bent Inwards Proximally and Distally (Fig. 4)

Material	Leg Side	Unit	Article Number for System Width	
			16 mm	20 mm
titanium	left lateral or right medial	piece	SL2523-L/TI	SL2525-L/TI
	left medial or right lateral	piece	SL2523-R/TI	SL2525-R/TI

Bent Outwards Proximally and Distally (Fig. 5)

Material	Leg Side	Unit	Article Number for System Width	
			16 mm	20 mm
titanium	left lateral or right medial	piece	SL2583-L/TI	SL2585-L/TI
	left medial or right lateral	piece	SL2583-R/TI	SL2585-R/TI

NEURO CLASSIC

NEURO VARIO

NEURO VARIO 2

NEURO VARIO-SWING

NEURO ACTIVE
System Knee Joint

NEURO ACTIVE
Articulated System Side Bar

NEURO CLASSIC Carbon

NEURO CLASSIC

NEURO VARIO

NEURO VARIO 2

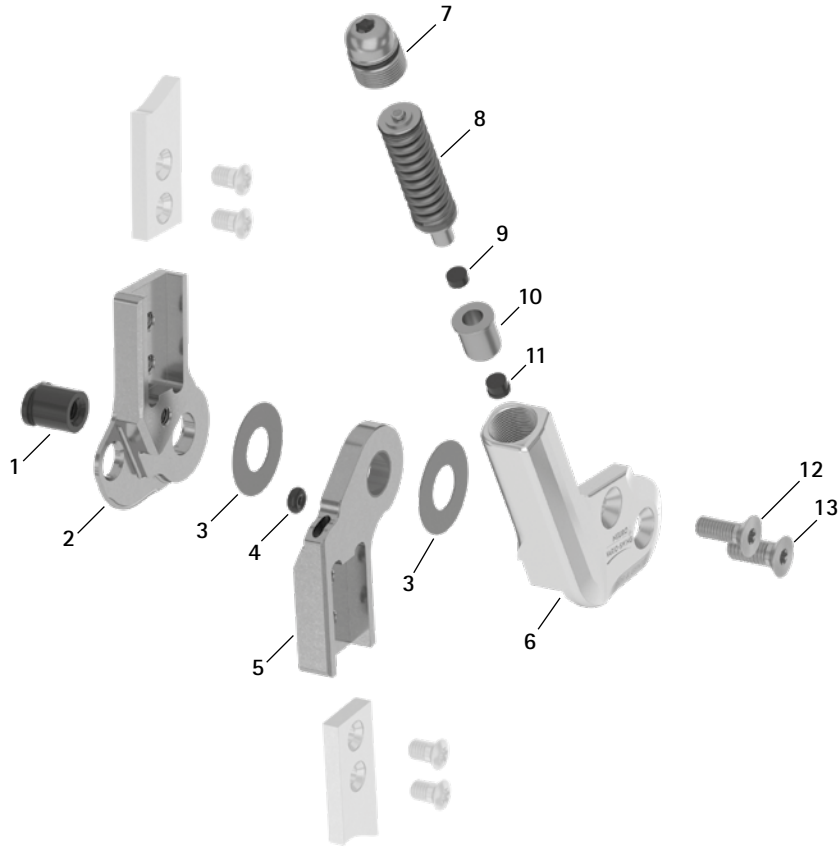
NEURO VARIO-SWING

NEURO ACTIVE
System Knee Joint

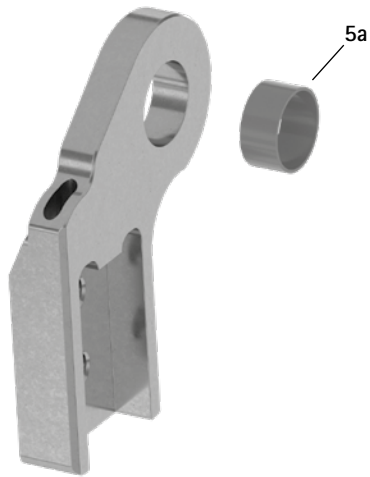
NEURO ACTIVE
Articulated System Side Bar

NEURO CLASSIC Carbon

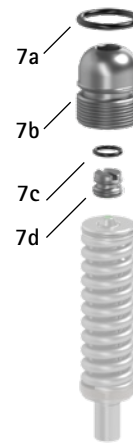
Spare Parts



Lower Part with Sliding Bushing, Preassembled (5)



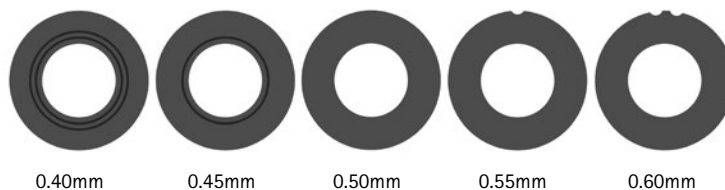
Spare Parts Screw Unit (7)



Spare Parts					
Item	Article Number for System Width				Description
	12 mm	14 mm	16 mm	20 mm	
1	SB8559-L0930	SB9669-L0950	SB1069-L1220	SB1069-L1220	bearing nut
2	SL0201-L/TI	SL0202-L/TI	SL0203-L/TI	SL0205-L/TI	upper part, left lateral or right medial, straight, titanium
2	SL0201-R/TI	SL0202-R/TI	SL0203-R/TI	SL0205-R/TI	upper part, left medial or right lateral, straight, titanium
2	-	-	SL0223-L/TI	SL0225-L/TI	upper part, left lateral or right medial, bent inwards, titanium
2	-	-	SL0223-R/TI	SL0225-R/TI	upper part, left medial or right lateral, bent inwards, titanium
2	-	-	SL0223-8L/TI	SL0225-8L/TI	upper part, left lateral or right medial, bent outwards, titanium
2	-	-	SL0223-8R/TI	SL0225-8R/TI	upper part, left medial or right lateral, bent outwards, titanium
3	GS1609-*	GS1910-*	GS2311-*	GS2611-*	sliding washer*
4	VE3771-010/20	VE3771-010/20	VE3771-012/26	VE3771-012/26	O-ring damper
5	SL0211-L/TI	SL0212-L/TI	SL0213-L/TI	SL0215-L/TI	lower part with sliding bushing, left lateral or right medial, straight, titanium
5	SL0211-R/TI	SL0212-R/TI	SL0213-R/TI	SL0215-R/TI	lower part with sliding bushing, left medial or right lateral, straight, titanium
5	-	-	SL0233-L/TI	SL0235-L/TI	lower part with sliding bushing, left lateral or right medial, bent inwards, titanium
5	-	-	SL0233-R/TI	SL0235-R/TI	lower part with sliding bushing, left medial or right lateral, bent inwards, titanium
5	-	-	SL0233-8L/TI	SL0235-8L/TI	lower part with sliding bushing, left lateral or right medial, bent outwards, titanium
5	-	-	SL0233-8R/TI	SL0235-8R/TI	lower part with sliding bushing, left medial or right lateral, bent outwards, titanium
5a	BP1009-L050	BP1110-L050	BP1211-L055	BP1211-L060	sliding bushing
6	SL0251-L/AL	SL0252-L/AL	SL0253-L/AL	SL0255-L/AL	cover plate, left lateral or right medial, aluminium
6	SL0251-R/AL	SL0252-R/AL	SL0253-R/AL	SL0255-R/AL	cover plate, left medial or right lateral, aluminium
7	SC9609-L13	SC9611-L14	SC9612-L15	SC9614-L17	screw unit
7a	VE3771-06/11	VE3771-08/15	VE3771-09/15	VE3771-11/15	O-ring for securing the alignment screw
7b	SC9609-L13/S	SC9611-L14/T	SC9612-L15/T	SC9614-L17/T	alignment screw, titanium
7c	VE3771-03/10	VE3771-04/10	VE3771-04/10	VE3771-04/10	O-ring for securing motion limiting screw
7d	SC9606-L05	SC9607-L06	SC9607-L06	SC9607-L06	motion limiting screw
8	SH5800-15/04	SH5801-15/06	SH5802-15/11	SH5803-15/15	spring unit, green, medium, max. 9° range of motion
9	PN0003-L02	PN0004-L02	PN0005-L02	PN0006-L02	stop damper
10	SL0281-06	SL0282-07	SL0283-10	SL0285-11	guide ring
11	SL0281-04	SL0282-04	SL0283-05	SL0285-06	extension stop
12	SC1404-L12	SC1405-L12	SC1405-L14	SC1405-L14	countersunk flat head screw with hexalobular socket
13	SC1405-L12	SC1405-L12	SC1406-L14	SC1406-L14	countersunk flat head screw with hexalobular socket (axle screw)
6-13	SL2951-L	SL2952-L	SL2953-L	SL2955-L	functional unit plug + go modularity, left lateral or right medial
6-13	SL2951-R	SL2952-R	SL2953-R	SL2955-R	functional unit plug + go modularity, left medial or right lateral

* Sliding Washers				
12 mm	Article Number for System Width			20 mm
	14 mm	16 mm	16 mm	
Ø = 16 mm	Ø = 19 mm	Ø = 23 mm	Ø = 26 mm	
GS1609-040	GS1910-040	GS2311-040	GS2611-040	
GS1609-045	GS1910-045	GS2311-045	GS2611-045	
GS1609-050	GS1910-050	GS2311-050	GS2611-050	
GS1609-055	GS1910-055	GS2311-055	GS2611-055	
GS1609-060	GS1910-060	GS2311-060	GS2611-060	

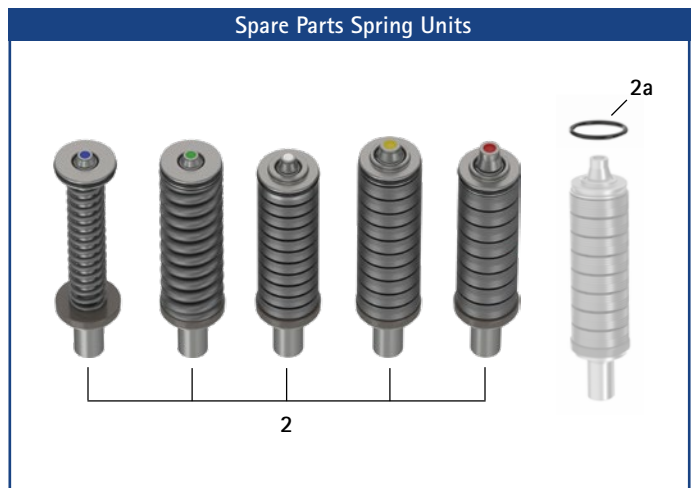
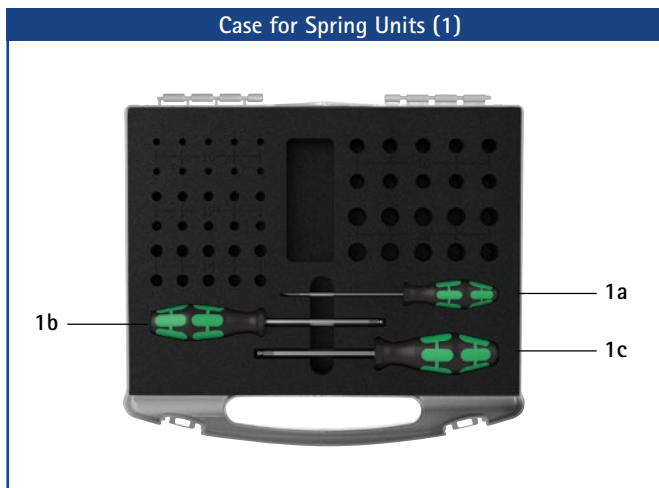
The last three digits of the article number stand for the thickness of the sliding washer, e.g. GS1609-040. The thickness of this sliding washer is 0.40mm. In total, the sliding washers are available in five different thicknesses. The thickness of a sliding washer is indicated by the markings. For example, a sliding washer with two grooves is 0.40mm thick, whereas a sliding washer with one notch is 0.55mm thick.



➔ You will find system side bars and system anchors on catalogue page I1ff.

NEURO CLASSIC

NEURO VARIO



NEURO VARIO 2

Case for Spring Units

Item	Article Number	Description
1	SH5800-0	1 x spring unit case for filling by yourself, with tools (without spring units)*
1a	WZ5703-3513	1 x slotted screwdriver 0.6 x 3.5 x 100mm
1b	WZ5112-4010	1 x hexagonal screwdriver with spherical head, 4 x 100mm
1c	WZ5112-5010	1 x hexagonal screwdriver with spherical head, 5 x 100mm

* The case can be used to store the spring units which are not required.

NEURO VARIO-SWING

Spare Parts Spring Units (You Need One of the Following Spring Units for One NEURO VARIO-SWING System Knee Joint):

Item	Article Number for System Width				Description	Unit
	12 mm	14 mm	16 mm	20 mm		
2	SH5800-15/02	SH5801-15/03	SH5802-15/05	SH5803-15/07	spring unit, blue, normal, max. 9° range of motion	piece
2	SH5800-15/04	SH5801-15/06	SH5802-15/11	SH5803-15/15	spring unit, green, medium, max. 9° range of motion, premounted	piece
2	SH5800-10/06	SH5801-10/12	SH5802-09/16	SH5803-10/21	spring unit, white, strong, max. 6° range of motion	piece
2	SH5800-10/09	SH5801-10/19	SH5802-10/29	SH5803-10/31	spring unit, yellow, very strong, max. 6° range of motion	piece
2	SH5800-05/17	SH5801-05/33	SH5802-05/53	SH5803-05/63	spring unit, red, extra strong, max. 3° range of motion	piece
2a	VE3771-045/10	VE3771-06/10	VE3771-07/10	VE3771-08/10	O-ring for securing the spring unit	piece

NEURO ACTIVE
System Knee Joint

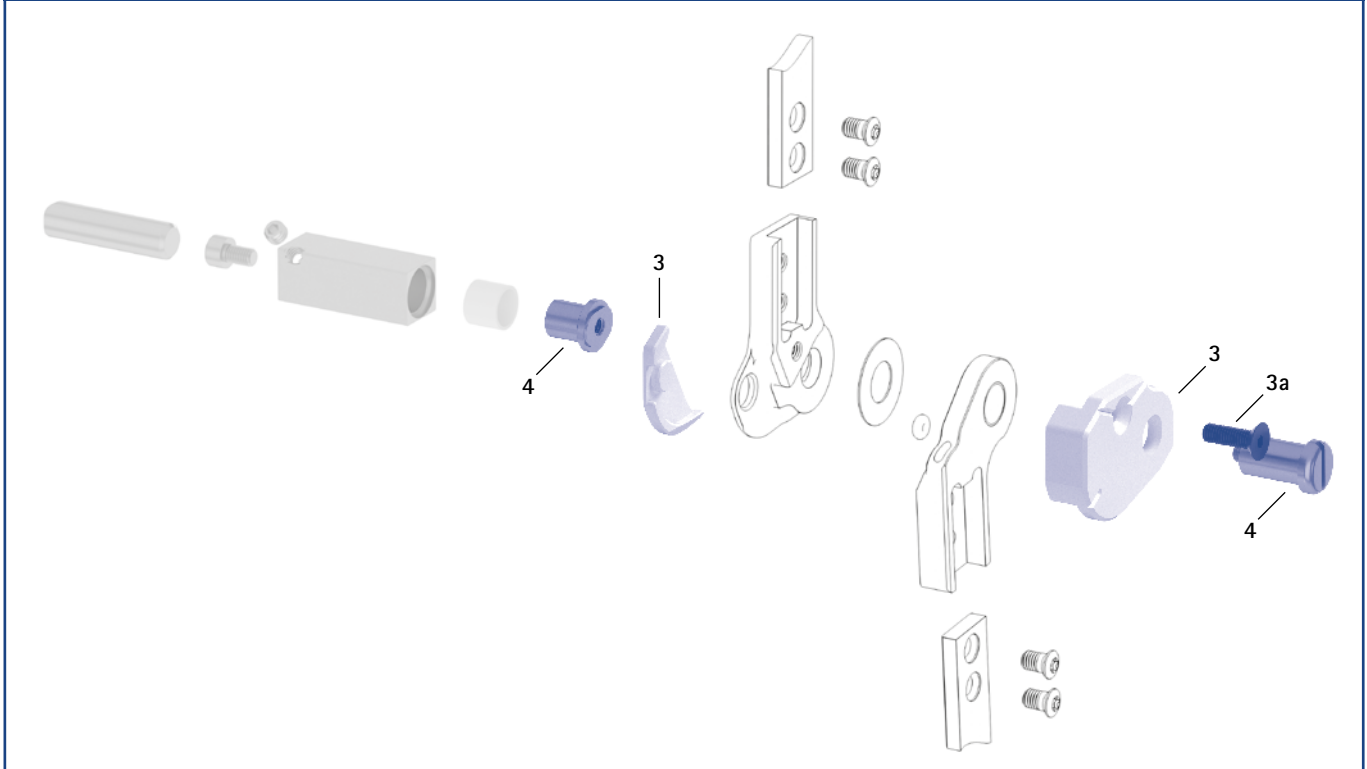
Spring Unit Weights [g]

Spring Unit	Article Number	System Width			
		12 mm	14 mm	16 mm	20 mm
spring unit, blue, normal, max. 9° range of motion	see table spring units	3	7	8	13
spring unit, green, medium, max. 9° range of motion	see table spring units	4	9	16	24
spring unit, white, strong, max. 6° range of motion	see table spring units	4	10	19	29
spring unit, yellow, very strong, max. 6° range of motion	see table spring units	4	10	19	32
spring unit, red, extra strong, max. 3° range of motion	see table spring units	5	11	20	32

NEURO ACTIVE
Articulated System Side Bar

NEURO CLASSIC Carbon

Assembly/Lamination Dummies and Joint Retainers



Assembly/Lamination Dummies and Joint Retainers

Item	Article Number for System Width				Description	Unit
	12mm	14mm	16mm	20mm		
3	SL0921-L	SL0922-L	SL0923-L	SL0925-L	assembly/lamination dummy, left lateral or right medial, two parts (2 dummies with screw)	set
3	SL0921-R	SL0922-R	SL0923-R	SL0925-R	assembly/lamination dummy, left medial or right lateral, two parts (2 dummies with screw)	set
3a	SC1054-L12	SC1055-L12	SC1055-L12	SC1055-L16	countersunk flat head screw with hexagon socket	piece
4	PE1012-LR	PE1013-LR	PE1025-LR	PE1025-LR	joint retainer	piece
	4/B	5/C	7/C	7/C	laser marking	-

- ➔ Assembly/lamination dummies are included in the scope of delivery of the system joints.
- ➔ You will find an overview of our tools on catalogue page J1ff.
- ➔ You will also find the joint retainers and the corresponding laser markings in the tool case on the catalogue pages J13 and J14.

NEURO CLASSIC

NEURO VARIO

NEURO VARIO 2

NEURO VARIO-SWING

NEURO ACTIVE
System Knee Joint

NEURO ACTIVE
Articulated System Side Bar

NEURO CLASSIC Carbon

NEURO CLASSIC

NEURO VARIO

NEURO VARIO 2

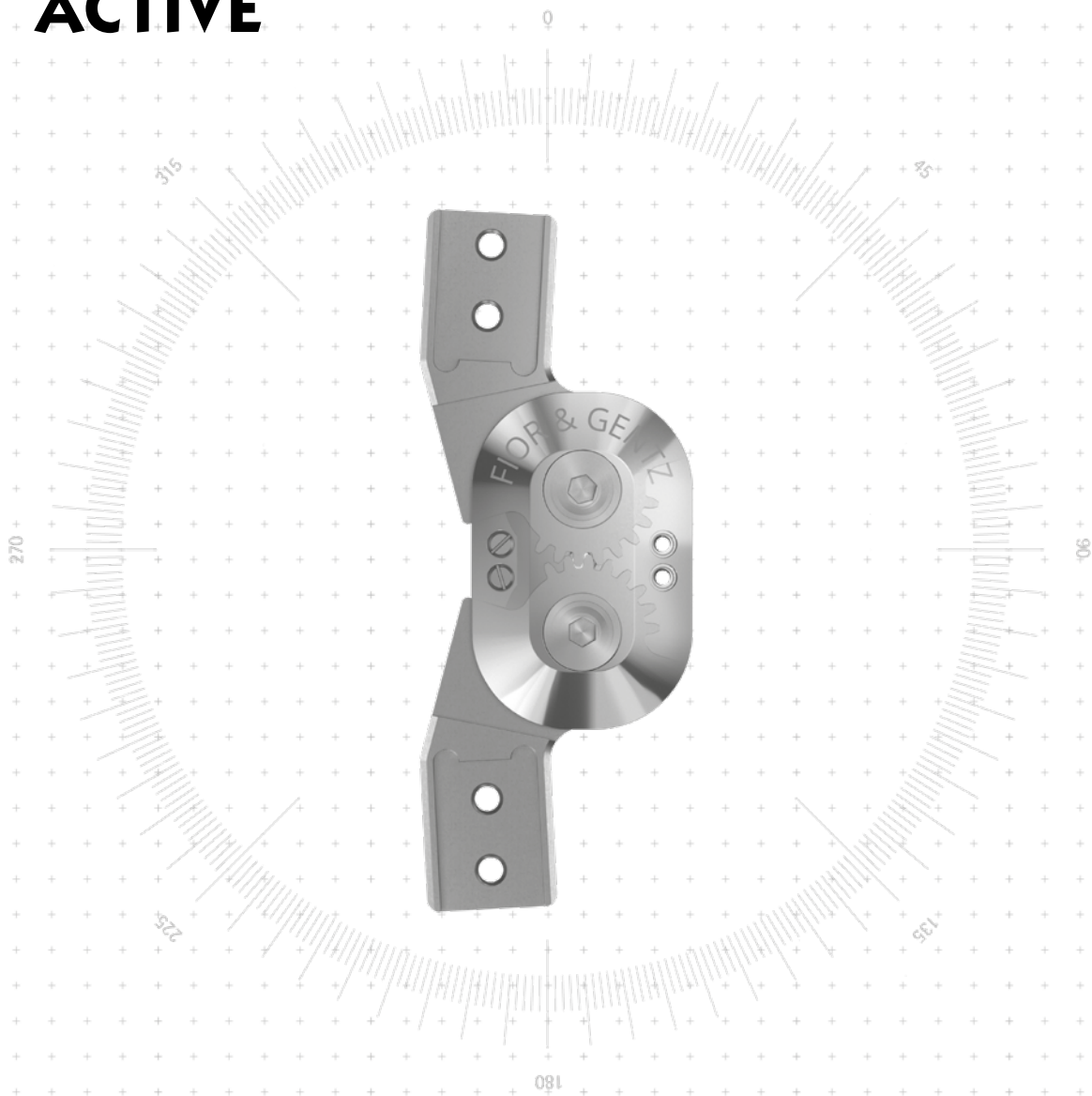
NEURO VARIO-SWING

NEURO ACTIVE
System Knee Joint

NEURO ACTIVE
System Side Bar

NEURO CLASSIC Carbon

NEURO ACTIVE



Main Function



polycentric, free moving with posterior offset
- preassembled in 5° flexion

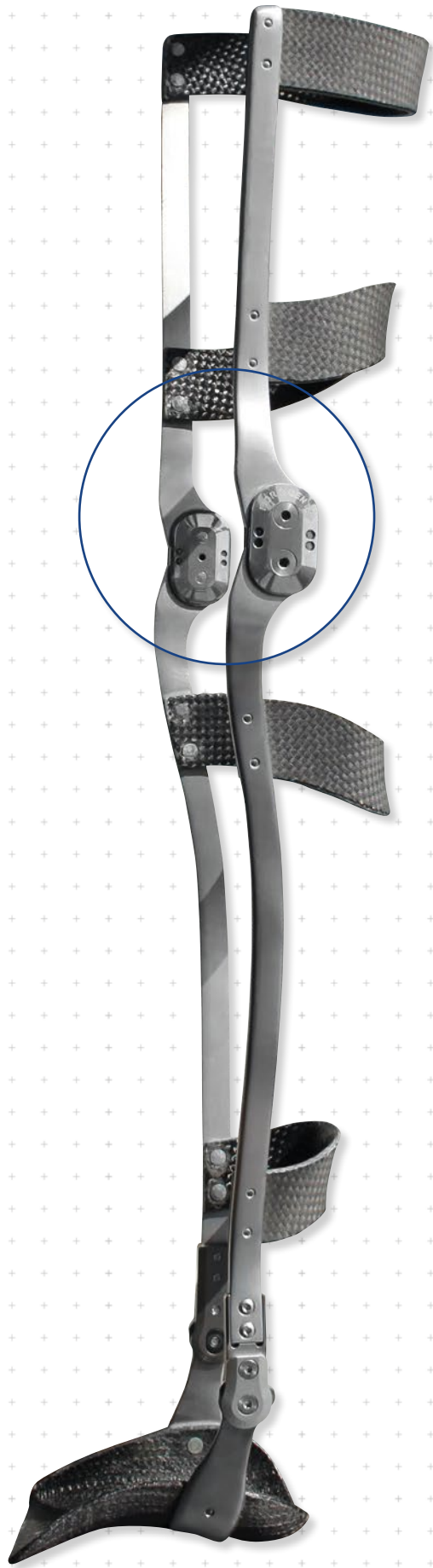
Type of Extension Stop



static extension stop, exchangeable

Adjustment Options

range of motion in extension and flexion can be limited as required by exchanging the stops



NEURO CLASSIC

NEURO VARIO

NEURO VARIO 2

NEURO VARIO-SWING

NEURO ACTIVE
System Knee Joint

NEURO ACTIVE
Articulated System Side Bar

NEURO CLASSIC Carbon

NEURO CLASSIC

NEURO VARIO

NEURO VARIO 2

NEURO VARIO-SWING

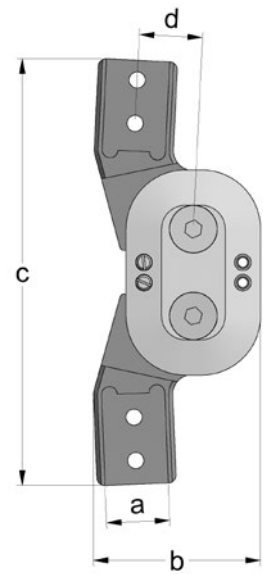
NEURO ACTIVE
System Knee Joint

NEURO ACTIVE
Articulated System Side Bar

NEURO CLASSIC Carbon



16mm



Joint Dimensions [mm]		
Dimension	Description	System Width a
b	joint head width	42
c	joint height	108
d	posterior offset	16
	joint thickness	11

Joint Weights [g]		
Material	Unit	System Width
steel	piece	137

The NEURO ACTIVE system knee joint is delivered with the following articles:
orthosis joint grease, 3g
orthosis joint grease for joints with gear segments, 3g
assembly/lamination dummy

- ➔ Please order system side bars/anchors separately.
- ➔ You will find system side bars/anchors on catalogue page 11ff.



straight
fig. 1



bent inwards distally
fig. 2



bent inwards proximally and distally
fig. 3

Straight (Fig. 1)

Material	Leg Side	Unit	Article Number for System Width 16mm
steel	left lateral or right medial	piece	SK2303-L/ST
	left medial or right lateral	piece	SK2303-R/ST

Bent Inwards Distally (Fig. 2)

Material	Leg Side	Unit	Article Number for System Width 16mm
steel	left lateral or right medial	piece	SK2313-L/ST
	left medial or right lateral	piece	SK2313-R/ST

Bent Inwards Proximally and Distally (Fig. 3)

Material	Leg Side	Unit	Article Number for System Width 16mm
steel	left lateral or right medial	piece	SK2323-L/ST
	left medial or right lateral	piece	SK2323-R/ST

NEURO CLASSIC

NEURO VARIO

NEURO VARIO 2

NEURO VARIO-SWING

NEURO ACTIVE
System Knee Joint

NEURO ACTIVE
Articulated System Side Bar

NEURO CLASSIC Carbon

NEURO CLASSIC

NEURO VARIO

NEURO VARIO 2

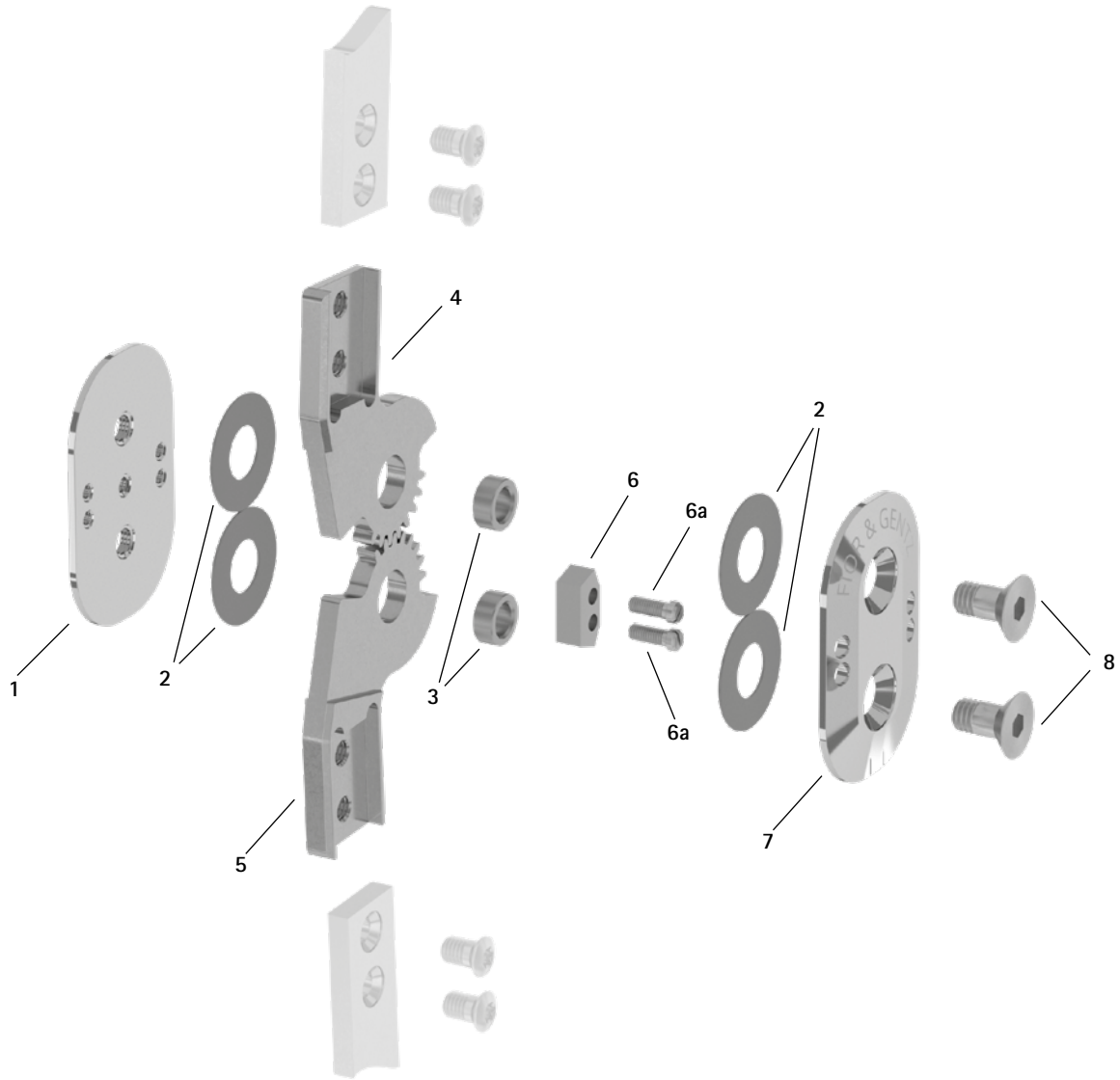
NEURO VARIO-SWING

NEURO ACTIVE
System Knee Joint

NEURO ACTIVE
Articulated System Side Bar

NEURO CLASSIC Carbon

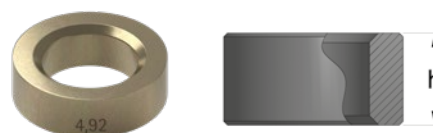
Spare Parts



Spare Parts		
Item	Article Number for System Width 16mm	Description
1	SK0250-ST	base plate
2	GS2210-050	sliding washer
3	BB9664-*	bronze bushing*
4	SK0203-L/ST	upper part, left lateral or right medial, straight, steel
4	SK0203-R/ST	upper part, left medial or right lateral, straight, steel
4	SK0223-L/ST	upper part, left lateral or right medial, bent inwards, steel
4	SK0223-R/ST	upper part, left medial or right lateral, bent inwards, steel
5	SK0213-L/ST	lower part, left lateral or right medial, straight, steel
5	SK0213-R/ST	lower part, left medial or right lateral, straight, steel
5	SK0233-L/ST	lower part, left lateral or right medial, bent inwards, steel
5	SK0233-R/ST	lower part, left medial or right lateral, bent inwards, steel
6	BK9051-E005	5° extension stop with 2 slotted pan head screws
6a	SC2103-L08	slotted pan head screw
7	SK0251-ST	cover plate
8	SC1016-L12	countersunk flat head screw with hexagon socket and shank

* Bronze Bushings	
Article Number and Height for System Width 16mm	
Ø = 9.6mm	Height (h)
BB9664-92	4.92mm
BB9664-95	4.95mm
BB9664-98	4.98mm

➔ You will find system side bars and system anchors on catalogue page I1ff.



The last three digits of the article number stand for the height (h) of the bronze bushing e.g. **BB9664-92**.

The height of this bronze bushing is 4.92mm. It is engraved on the outside of the bronze bushing. Note and respect that when reordering. If the digits are illegible, measure the height.

NEURO CLASSIC

NEURO VARIO

NEURO VARIO 2

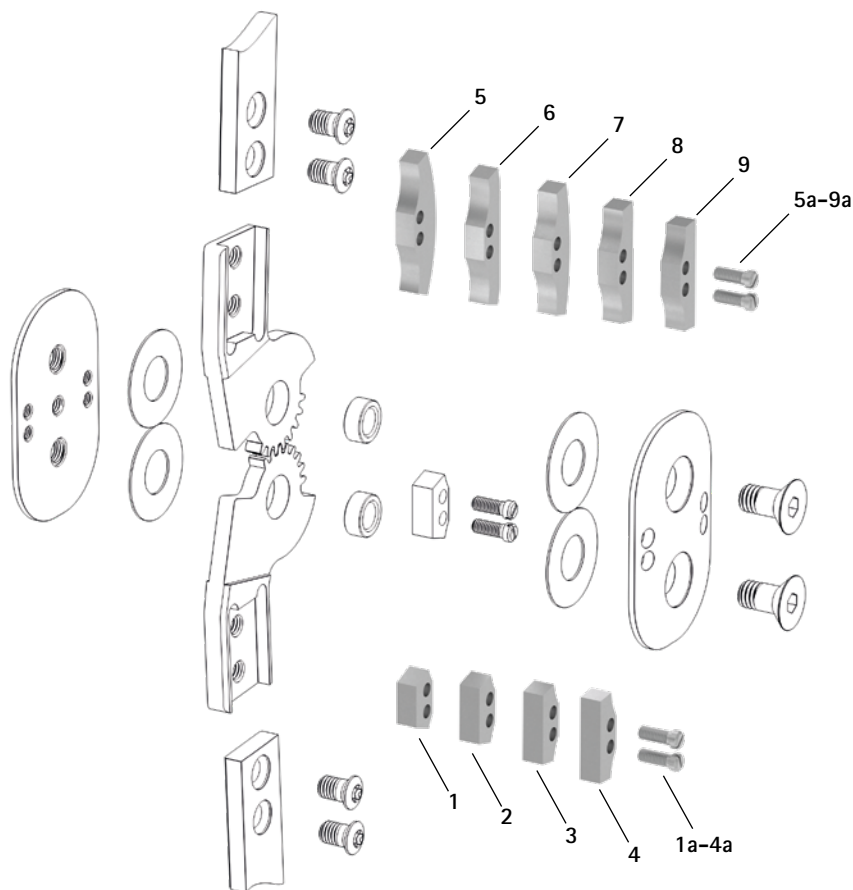
NEURO VARIO-SWING

NEURO ACTIVE
System Knee Joint

NEURO ACTIVE
Articulated System Side Bar

NEURO CLASSIC Carbon

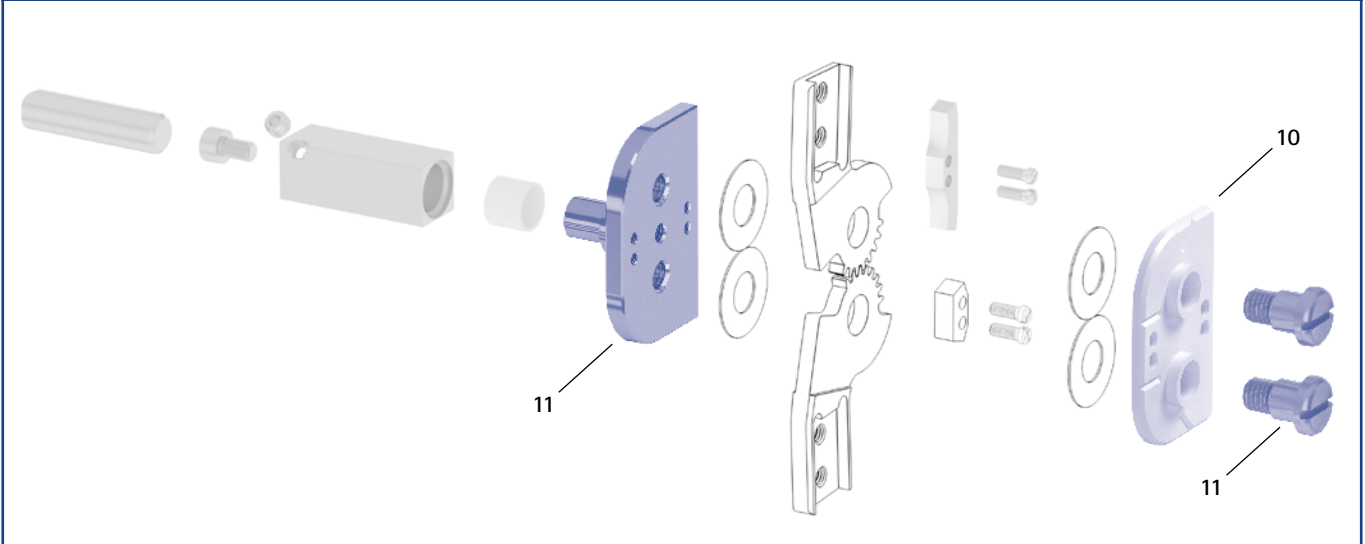
Extension and Flexion Stops



Accessory Parts

Item	Article Number for System Width		Description
	16mm		
1	BK9051-E000		0° extension stop/80° flexion stop with 2 slotted pan head screws
2	BK9051-E010		10° extension stop/70° flexion stop with 2 slotted pan head screws
3	BK9051-E020		20° extension stop/60° flexion stop with 2 slotted pan head screws
4	BK9051-E030		30° extension stop/50° flexion stop with 2 slotted pan head screws
5	BK9051-F000		0° flexion stop with 2 slotted pan head screws
6	BK9051-F005		5° flexion stop with 2 slotted pan head screws
7	BK9051-F010		10° flexion stop with 2 slotted pan head screws
8	BK9051-F020		20° flexion stop with 2 slotted pan head screws
9	BK9051-F030		30° flexion stop with 2 slotted pan head screws
1a-9a	SC2103-L08		slotted pan head screw

Assembly/Lamination Dummies and Joint Retainers



Assembly/Lamination Dummies and Joint Retainers

Item	Article Number for System Width 16mm	Description	Unit
10	SK0923-LR	assembly/lamination dummy	piece
11	PZ3100-LR	joint retainer	piece

- ➔ Assembly/lamination dummies are included in the scope of delivery of the system joints.
- ➔ You will find an overview of our tools on catalogue page J1ff.
- ➔ You will also find the joint retainers in the tool case on the catalogue pages J13 and J14.

NEURO CLASSIC

NEURO VARIO

NEURO VARIO 2

NEURO VARIO-SWING

NEURO ACTIVE
System Knee Joint

NEURO ACTIVE
Articulated System Side Bar

NEURO CLASSIC Carbon

NEURO CLASSIC

NEURO VARIO

NEURO VARIO 2

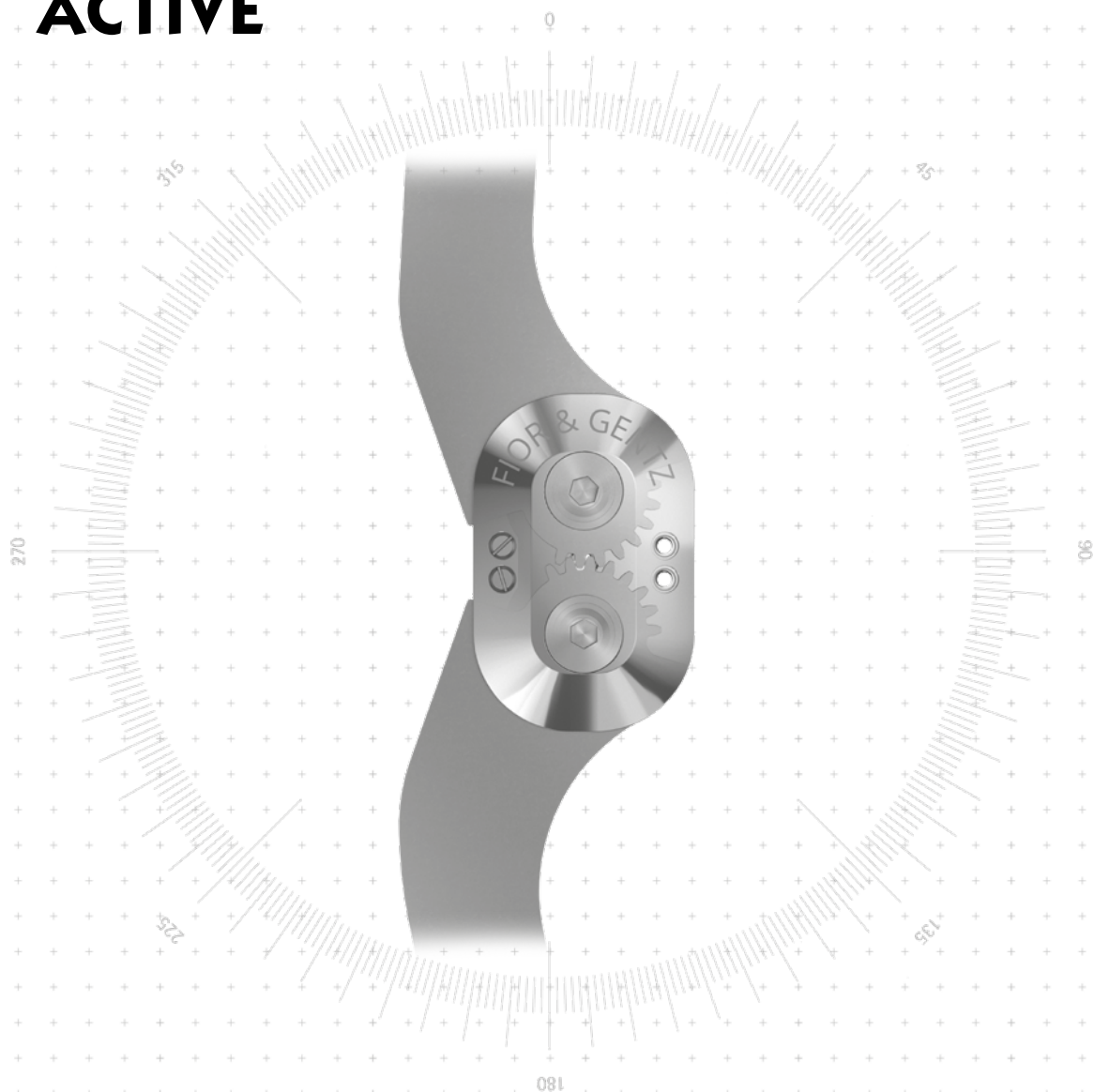
NEURO VARIO-SWING

NEURO ACTIVE
System Knee Joint

NEURO ACTIVE
Articulated System Side Bar

NEURO CLASSIC Carbon

NEURO ACTIVE



Main Function



polycentric, free moving with posterior offset
- preassembled in 5° flexion

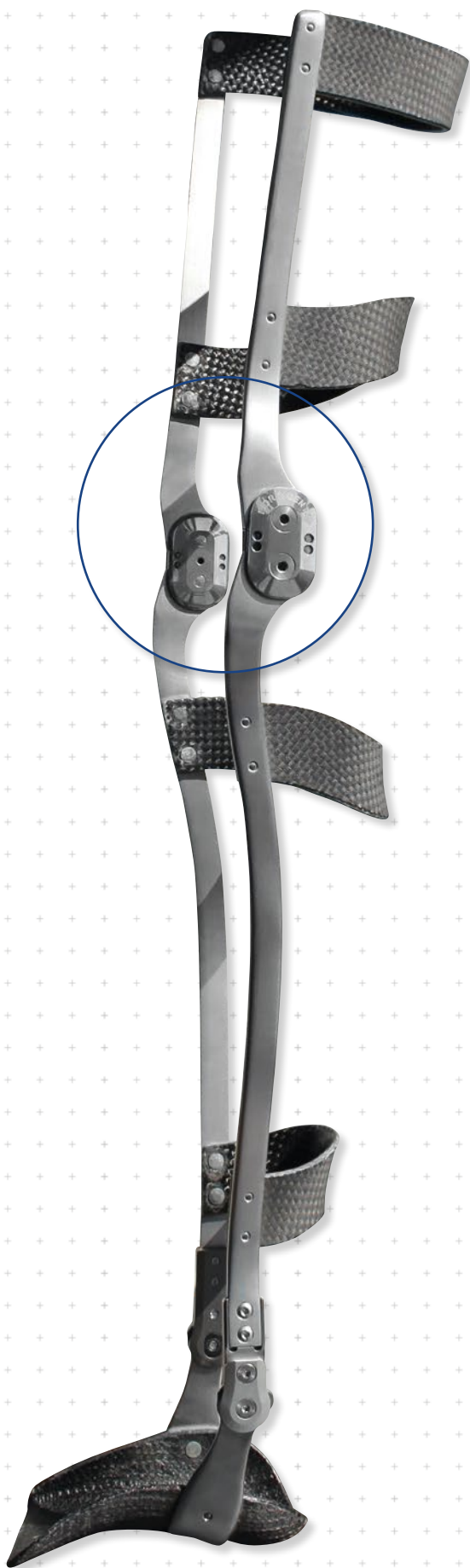
Type of Extension Stop



static extension stop, exchangeable

Adjustment Options

range of motion in extension and flexion can be limited as required by exchanging the extension and flexion stop



NEURO CLASSIC

NEURO VARIO

NEURO VARIO 2

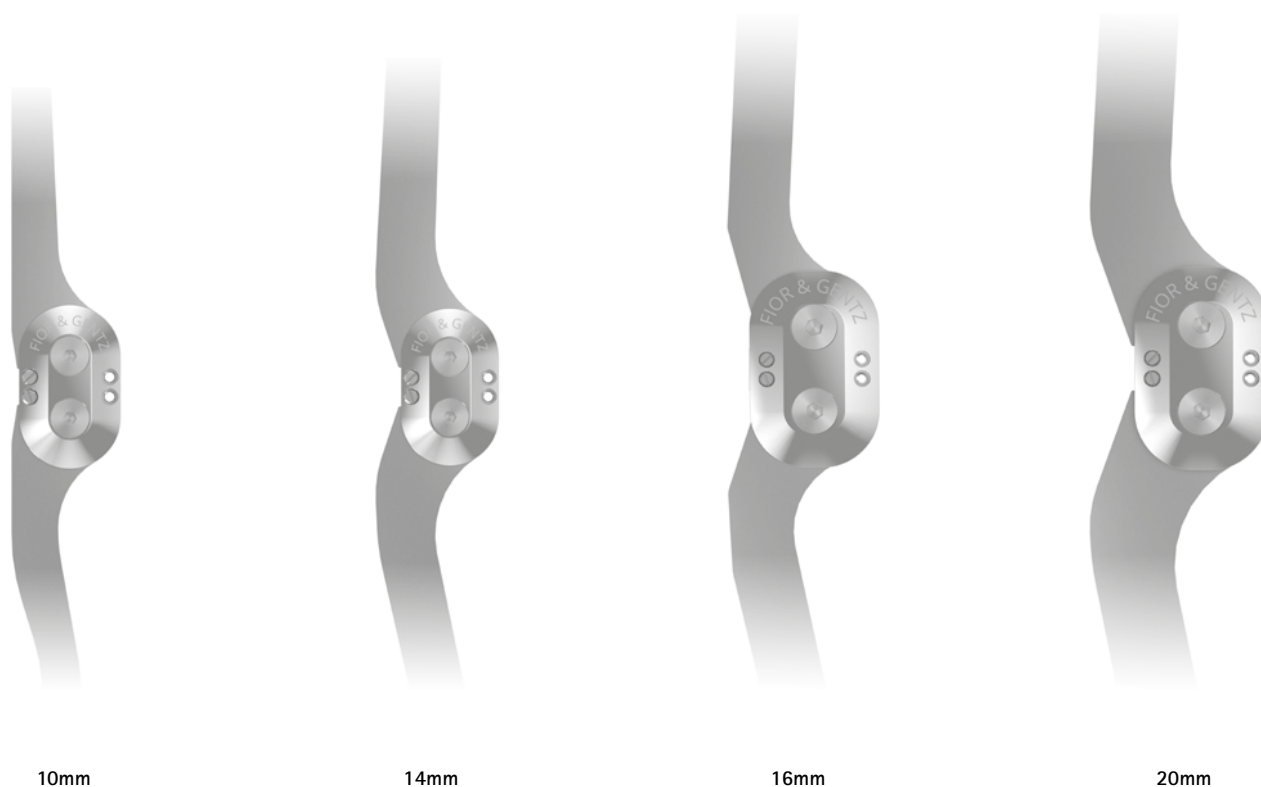
NEURO VARIO-SWING

NEURO ACTIVE
System Knee Joint

NEURO ACTIVE
Articulated System Side Bar

NEURO CLASSIC Carbon

Articulated System Side Bars NEURO ACTIVE



10mm

14mm

16mm

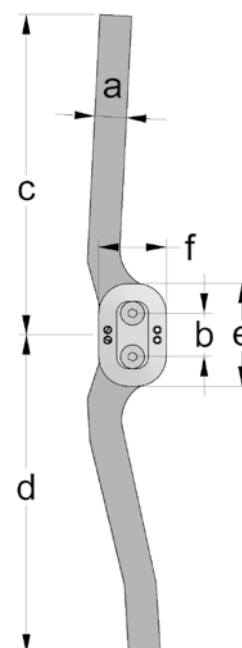
20mm

Articulated Side Bar Dimensions [mm]

Dimension	Description	System Width a			
		10mm	14mm	16mm	20mm
b	centre distance	16	16	22	22
c	side bar length	200	280	360	440
d	side bar length	320	400	480	560
e	cover plate height	42	42	52	52
f	cover plate width	26	26	34	34
	side bar thickness	3	4	5	6
	joint thickness	9	10	11	13
	posterior offset	10	14	16	20

Articulated Side Bar Weights [g]

Material	Unit	System Width			
		10mm	14mm	16mm	20mm
aluminium	pair	128	260	542	828
	piece	64	130	271	414



The NEURO ACTIVE articulated system side bar is delivered with the following articles:

- orthosis joint grease, 3g
- orthosis joint grease for joints with gear segments, 3g
- assembly/lamination dummy



straight
fig. 1

Straight (Fig. 1)						
Material	Leg/Leg Side	Unit	Article Number for System Width			
			10mm	14mm	16mm	20mm
aluminium	left or right	pair	BK2200-AL	BK2302-AL	BK2303-AL	BK2405-AL
	left lateral or right medial	piece	BK2200-L/AL	BK2302-L/AL	BK2303-L/AL	BK2405-L/AL
	left medial or right lateral	piece	BK2200-R/AL	BK2302-R/AL	BK2303-R/AL	BK2405-R/AL

NEURO CLASSIC

NEURO VARIO

NEURO VARIO 2

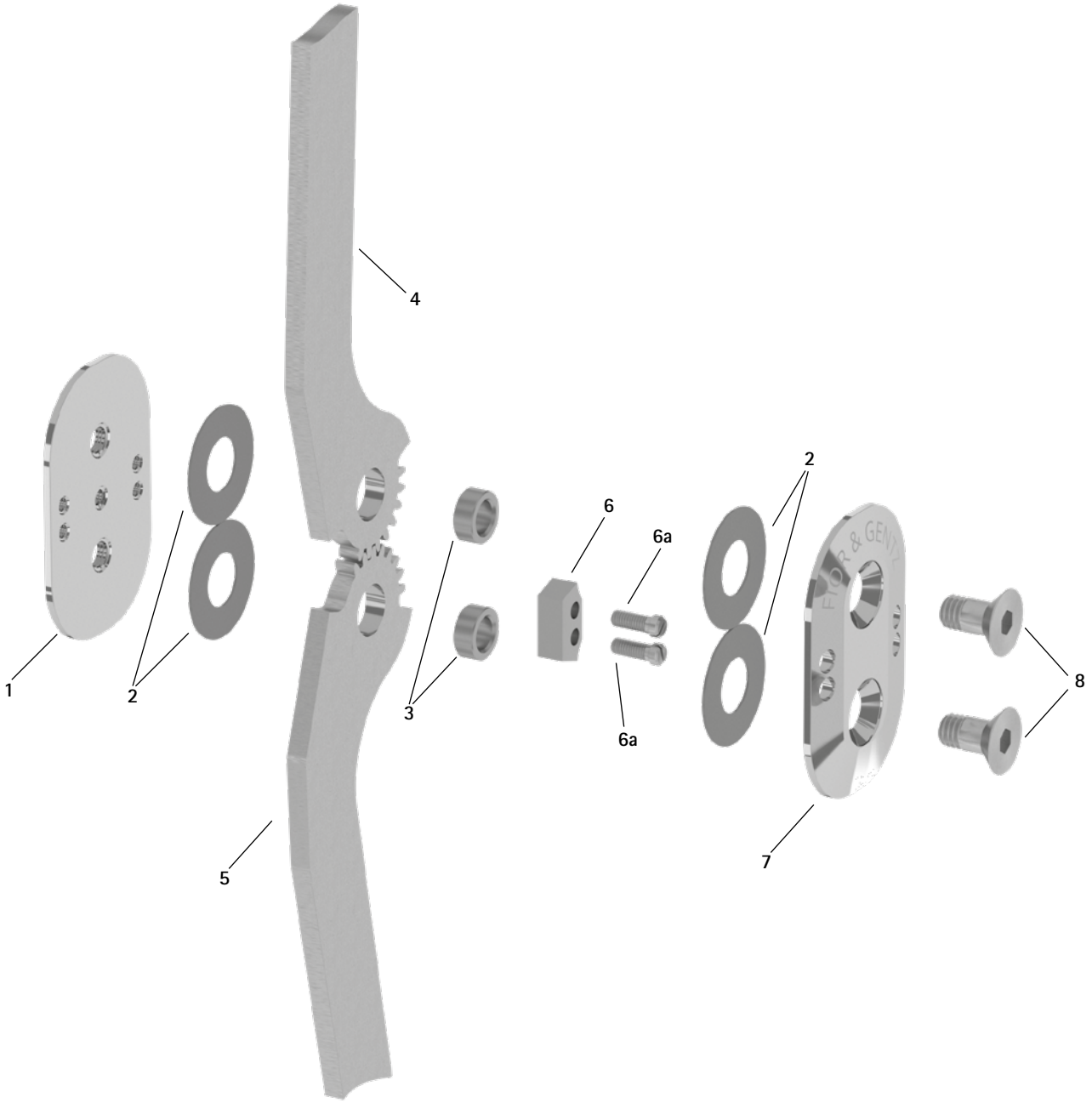
NEURO VARIO-SWING

NEURO ACTIVE
System Knee Joint

NEURO ACTIVE
Articulated System Side Bar

NEURO CLASSIC Carbon

Spare Parts



NEURO CLASSIC

NEURO VARIO

NEURO VARIO 2

NEURO VARIO-SWING

NEURO ACTIVE
System Knee Joint

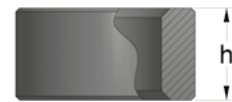
NEURO ACTIVE
Articulated System Side Bar

NEURO CLASSIC Carbon

Spare Parts					
Item	Article Number for System Width				Description
	10mm	14mm	16mm	20mm	
1	KS0150-AL	KS0150-AL	SK0250-ST	SK0250-ST	base plate
2	GS1609-050	GS1609-050	GS2210-050	GS2210-050	sliding washer
3	BB8553-*	BB8554-*	BB9665-*	BB9666-*	bronze bushing*
4	BK0200-AL	BK0202-AL	BK0203-AL	BK0205-AL	femoral side bar wing, aluminium
5	BK0210-AL	BK0212-AL	BK0213-AL	BK0215-AL	tibial side bar wing, aluminium
6	KS9502-E005	KS9502-E005	BK9051-E005	BK9061-E005	5° extension stop with 2 slotted pan head screws
6a	SC2103-L06	SC2103-L06	SC2103-L08	SC2103-L08	slotted pan head screw
7	KS0151-AL/FG	KS0151-AL/FG	SK0251-ST	SK0251-ST	cover plate
8	SC1015-L11	SC1015-L12	SC1016-L13	SC1016-L14	countersunk flat head screw with hexagon socket and shank

* Bronze Bushings							
Article Number and Height for System Width							
10mm		14mm		16mm		20mm	
Ø = 8.5mm	Height (h)	Ø = 8.5mm	Height (h)	Ø = 9.6mm	Height (h)	Ø = 9.6mm	Height (h)
BB8553-89	3.89mm	BB8554-89	4.89mm	BB9665-89	5.89mm	BB9666-89	6.89mm
BB8553-92	3.92mm	BB8554-92	4.92mm	BB9665-92	5.92mm	BB9666-92	6.92mm
BB8553-95	3.95mm	BB8554-95	4.95mm	BB9665-95	5.95mm	BB9666-95	6.95mm
BB8553-98	3.98mm	BB8554-98	4.98mm	BB9665-98	5.98mm	BB9666-98	6.98mm

The last three digits of the article number stand for the height (h) of the bronze bushing e.g. BB8554-92. The height of this bronze bushing is 4.92mm. It is engraved on the outside of the bronze bushing. Note and respect that when reordering. If the digits are illegible, measure the height.



NEURO CLASSIC

NEURO VARIO

NEURO VARIO 2

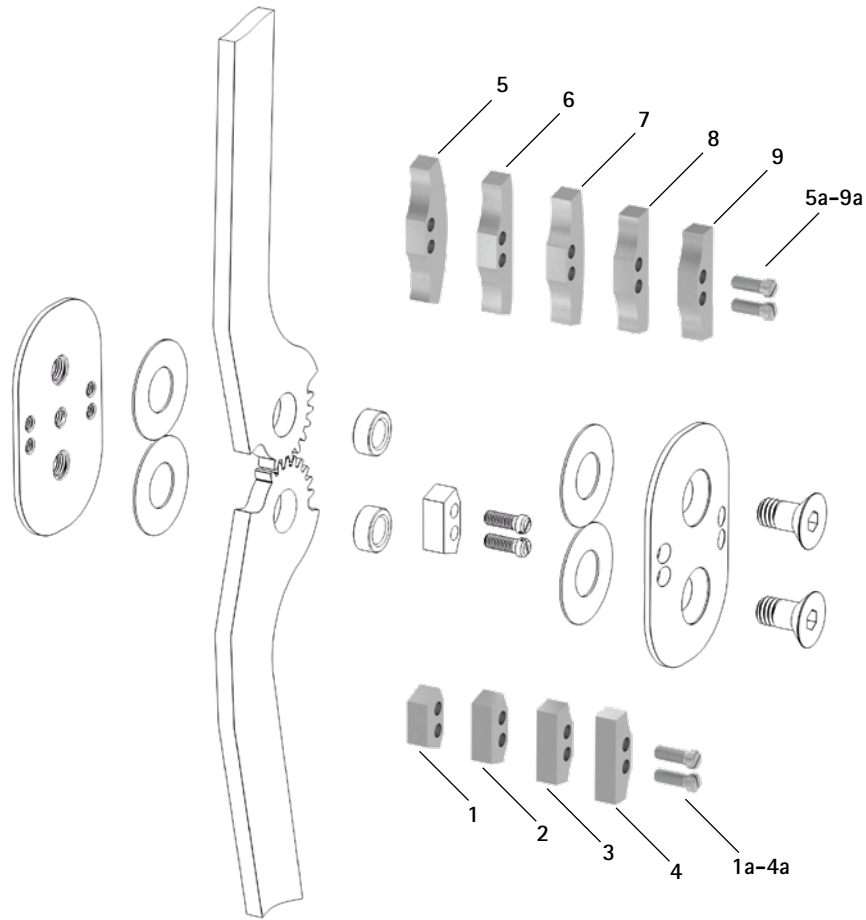
NEURO VARIO-SWING

NEURO ACTIVE
System Knee Joint

NEURO ACTIVE
Articulated System Side Bar

NEURO CLASSIC Carbon

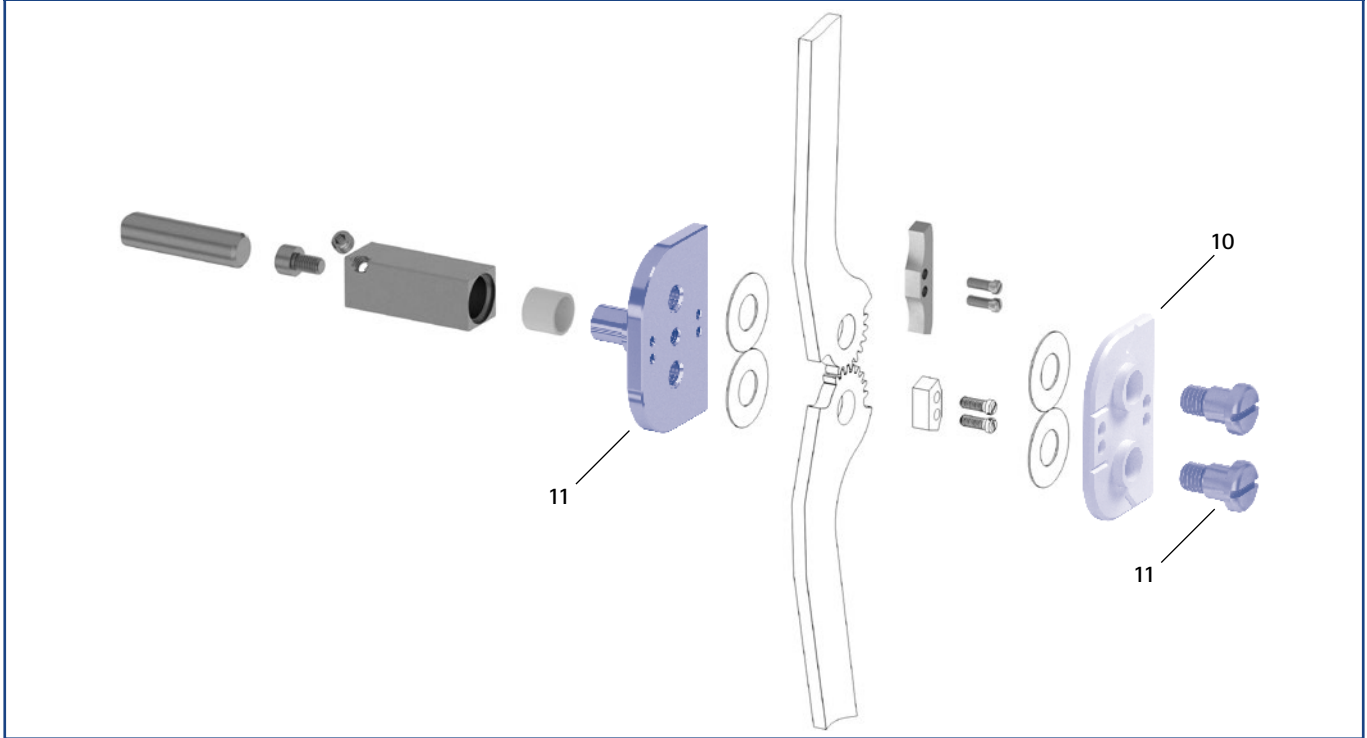
Extension and Flexion Stops



Accessory Parts

Item	Article Number for System Width				Description
	10mm	14mm	16mm	20mm	
1	KS9502-E000	KS9502-E000	-	-	0° extension stop/100° flexion stop with 2 slotted pan head screws
1	-	-	BK9051-E000	BK9061-E000	0° extension stop/80° flexion stop with 2 slotted pan head screws
2	KS9502-E010	KS9502-E010	-	-	10° extension stop/90° flexion stop with 2 slotted pan head screws
2	-	-	BK9051-E010	BK9061-E010	10° extension stop/70° flexion stop with 2 slotted pan head screws
3	KS9502-E020	KS9502-E020	-	-	20° extension stop/80° flexion stop with 2 slotted pan head screws
3	-	-	BK9051-E020	BK9061-E020	20° extension stop/60° flexion stop with 2 slotted pan head screws
4	KS9502-E030	KS9502-E030	-	-	30° extension stop/70° flexion stop with 2 slotted pan head screws
4	-	-	BK9051-E030	BK9061-E030	30° extension stop/50° flexion stop with 2 slotted pan head screws
5	KS9502-F000	KS9502-F000	BK9051-F000	BK9061-F000	0° flexion stop with 2 slotted pan head screws
6	-	-	BK9051-F005	-	5° flexion stop with 2 slotted pan head screws
7	KS9502-F010	KS9502-F010	BK9051-F010	BK9061-F010	10° flexion stop with 2 slotted pan head screws
8	KS9502-F020	KS9502-F020	BK9051-F020	BK9061-F020	20° flexion stop with 2 slotted pan head screws
9	KS9502-F030	KS9502-F030	BK9051-F030	BK9061-F030	30° flexion stop with 2 slotted pan head screws
1a-9a	SC2103-L06	SC2103-L06	SC2103-L08	SC2103-L08	slotted pan head screw

Assembly/Lamination Dummies and Joint Retainers



Assembly/Lamination Dummies and Joint Retainers						
Item	Article Number for System Width				Description	Unit
	10mm	14mm	16mm	20mm		
10	KS0250	KS0250	SK0923-LR	SK0923-LR	assembly/lamination dummy	piece
11	PZ4100-LR	PZ4100-LR	PZ3100-LR	PZ3100-LR	joint retainer	piece

- ➔ Assembly/lamination dummies are included in the scope of delivery of the system joints.
- ➔ You will find an overview of our tools on catalogue page J1ff.
- ➔ You will also find the joint retainers in the tool case on the catalogue pages J13 and J14.

NEURO CLASSIC

NEURO VARIO

NEURO VARIO 2

NEURO VARIO-SWING

NEURO ACTIVE
System Knee Joint

NEURO ACTIVE
Articulated System Side Bar

NEURO CLASSIC Carbon

NEURO CLASSIC



NEURO VARIO

NEURO VARIO 2

NEURO VARIO-SWING

NEURO ACTIVE
System Knee Joint

NEURO ACTIVE
Articulated System Side Bar

NEURO CLASSIC Carbon



Main Function



monocentric, free moving with posterior offset
- preassembled in 5° flexion

Type of Extension Stop



static extension stop

The NEURO CLASSIC Carbon is a water-resistant ultralight system knee joint made of carbon fibre-reinforced plastics.

An orthosis with a NEURO CLASSIC Carbon system knee joint can be converted into an orthosis with a NEURO LOCK Carbon system knee joint by exchanging the system joint.

The NEURO CLASSIC Carbon system knee joint can be used as a supporting joint for the NEURO LOCK Carbon system knee joint.



NEURO CLASSIC

NEURO VARIO

NEURO VARIO 2

NEURO VARIO-SWING

NEURO ACTIVE
System Knee Joint

NEURO ACTIVE
Articulated System Side Bar

NEURO CLASSIC Carbon

NEURO CLASSIC

NEURO VARIO



14mm

16mm

20mm

NEURO VARIO 2

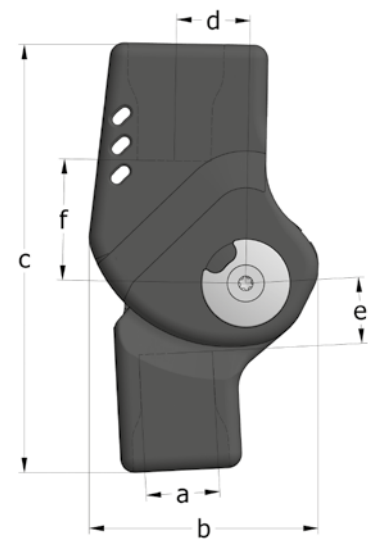
Joint Dimensions [mm]

Dimension	Description	System Width a		
		14mm	16mm	20mm
b	joint head width	45	52	62
c	joint height	91	103	118
d	posterior offset	14	16	20
e	distance pivot point – lower system case	14	18	18
f	distance pivot point – upper system case	24	29	33
	joint thickness	18	19	23

NEURO VARIO-SWING

Joint Weights [g]

Material	Unit	System Width		
		14mm	16mm	20mm
carbon	piece	49	79	133



NEURO ACTIVE
System Knee Joint

NEURO ACTIVE
Articulated System Side Bar

The NEURO CLASSIC Carbon system knee joint is delivered with the following articles:

- set 2-component adhesive and primer
- orthosis joint grease, 3g
- assembly/lamination dummy

➔ Please order system anchors separately.

➔ You will find special system anchors for the NEURO CLASSIC Carbon on catalogue page I10f.



straight
fig. 1

Straight (Fig. 1)					
Material	Leg	Unit	Article Number for System Width		
			14mm	16mm	20mm
carbon	left or right	piece	SL1302-C/LR	SL1303-C/LR	SL1305-C/LR

NEURO CLASSIC

NEURO VARIO

NEURO VARIO 2

NEURO VARIO-SWING

NEURO ACTIVE
System Knee Joint

NEURO ACTIVE
Articulated System Side Bar

NEURO CLASSIC Carbon

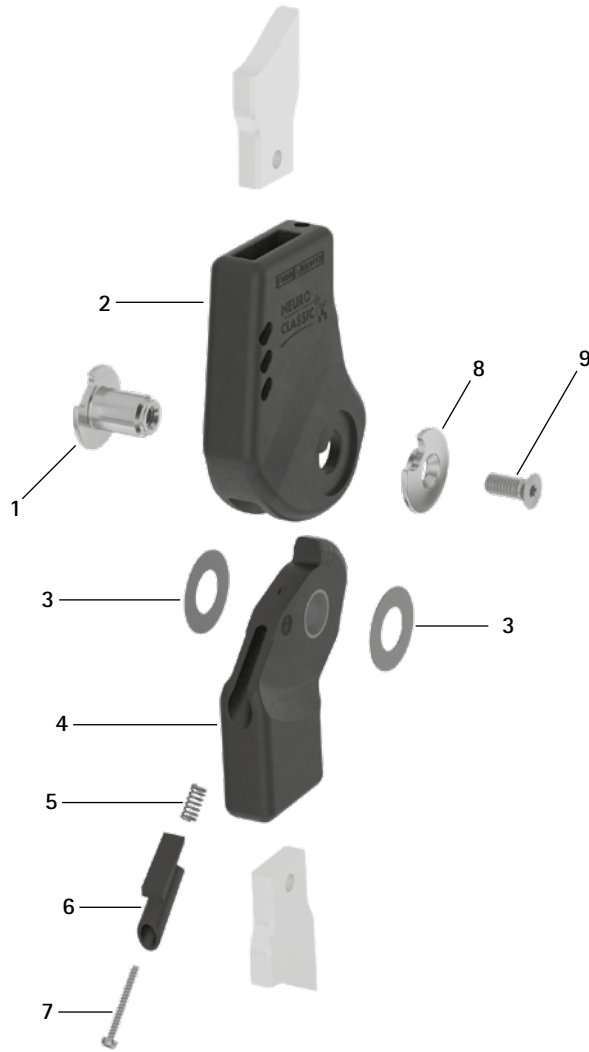
NEURO CLASSIC

NEURO VARIO

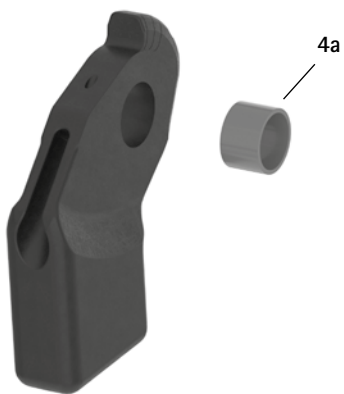
NEURO VARIO 2

NEURO VARIO-SWING

Spare Parts



Lower Part with Sliding Bushing, Preassembled (4)



NEURO ACTIVE
System Knee Joint

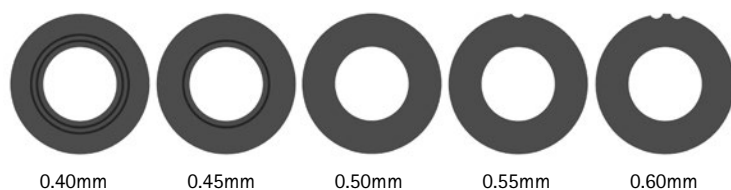
NEURO ACTIVE
Articulated System Side Bar

NEURO CLASSIC Carbon

Item	Article Number for System Width			Description
	14mm	16mm	20mm	
1	SK0892-1/C	SK0893-1/C	SK0895-1/C	bearing nut
2	SL0102-C	SL0103-C	SL0105-C	upper part, straight, carbon
3	GS2009-*	GS2311-*	GS2413-*	sliding washer*
4	SK0812-2/C	SK0813-2/C	SK0815-2/C	5° lower part with sliding bushing, straight, carbon-titanium hybrid
4a	BP1009-L059	BP1211-L077	BP1412-L090	sliding bushing
5	FE1510-02	FE1510-02	FE1510-02	pressure spring
6	SK9802-E005/C	SK9803-E005/C	SK9805-E005/C	5° extension stop
7	SC4402-L22	SC4402-L22	SC4402-L22	cheese head screw
8	SK0892-2/C	SK0893-2/C	SK0895-2/C	cover disc
9	SC1404-L10	SC1405-L14	SC1406-L14	countersunk flat head screw with hexalobular socket

* Sliding Washers			
	Article Number for System Width		
	14mm	16mm	20mm
$\varnothing = 20\text{mm}$	$\varnothing = 23\text{mm}$	$\varnothing = 24\text{mm}$	
GS2009-040	GS2311-040	GS2413-040	
GS2009-045	GS2311-045	GS2413-045	
GS2009-050	GS2311-050	GS2413-050	
GS2009-055	GS2311-055	GS2413-055	
GS2009-060	GS2311-060	GS2413-060	

The last three digits of the article number stand for the thickness of the sliding washer, e.g. GS2009-040. The thickness of this sliding washer is 0.40mm. In total, the sliding washers are available in five different thicknesses. The thickness of a sliding washer is indicated by the markings. For example, a sliding washer with two notches is 0.40mm thick, whereas a sliding washer with one notch is 0.55mm thick. Please use the sliding washer centring pin to position the sliding washers.



➔ You will find special system anchors for the NEURO CLASSIC Carbon on catalogue page I10f.

NEURO CLASSIC

NEURO VARIO

NEURO VARIO 2

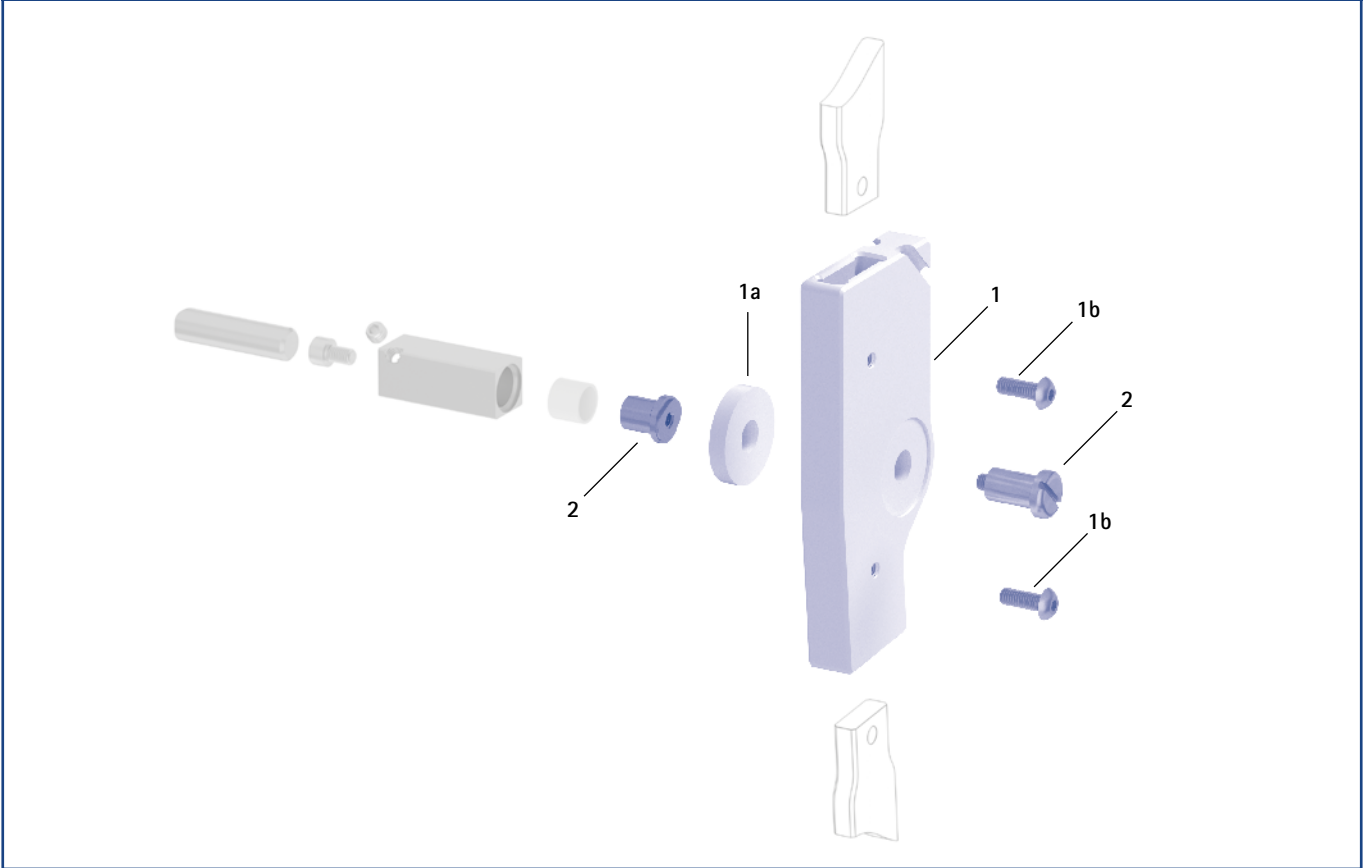
NEURO VARIO-SWING

NEURO ACTIVE
System Knee Joint

NEURO ACTIVE
Articulated System Side Bar

NEURO CLASSIC Carbon

Assembly/Lamination Dummies and Joint Retainers



Assembly/Lamination Dummies and Joint Retainers					
Item	Article Number for System Width			Description	Unit
	14mm	16mm	20mm		
1	SK0982-C/LR1	SK0983-C/LR1	SK0985-C/LR1	assembly/lamination dummy (1 dummy with distance ring and two screws)	piece
1a	SK0982-C/LR/2	SK0983-C/LR/2	SK0985-C/LR/2	distance ring for assembly/lamination dummy	piece
1b	SC0005-L12	SC0005-L12	SC0005-L14	pan head screw with hexagon socket	piece
2	PE1012-LR	PE1122-LR	PE1123-LR	joint retainer	piece
	4/B	10/B	9/C	laser marking	-

- ➔ Assembly/lamination dummies are included in the scope of delivery of the system joints.
- ➔ You will find an overview of our tools on catalogue page J1ff.
- ➔ You will also find the joint retainers and the corresponding laser markings in the tool case on the catalogue pages J13 and J14.

Dirt- and Water-Resistant Carbon System Knee Joints



The NEURO CLASSIC Carbon system knee joint can be found from catalogue page E70.1.



The NEURO LOCK Carbon system knee joint can be found from catalogue page G50.1.



NEURO MATIC

NEURO TRONIC

NEURO HiTRONIC

Main Function	 <p>monocentric, automatic stance phase control with posterior offset</p> <ul style="list-style-type: none"> - preassembled in 5° flexion
Activation	<p>mechanical locking and unlocking via the system ankle joint</p>
Type of Extension Stop	 <p>static extension stop</p>
Adjustment Options	<p>flexion angle can be adjusted as required (0°, 10°) by exchanging the joint's upper part</p>
Other Functions	<p>mode change via lever on the cover plate</p> <p>basic function in Auto mode</p> <ul style="list-style-type: none"> - locked in stance phase, free moving in swing phase - range of motion in extension can be limited as required by exchanging the joint's upper part (swing phase) - flexion angle can be adjusted as required by exchanging the joint's upper part (stance phase) <p>alternative function in Lock mode</p> <ul style="list-style-type: none"> - permanently mechanically locked via lever <p>alternative function in Free mode</p> <ul style="list-style-type: none"> - permanently mechanically unlocked via lever

The NEURO MATIC system knee joint can be converted into the NEURO TRONIC system knee joint by exchanging the functional unit and other corresponding system components and into the NEURO HiTRONIC system knee joint by exchanging the system joint.

The NEURO VARIO system knee joint can be used as a supporting joint for the NEURO MATIC system knee joint.



To produce an orthosis with a NEURO MATIC system knee joint, you need the following components:

- system knee joint (page F10.4)
- component set (page F10.7)
- system side bars/anchors (page J1ff.)



16mm



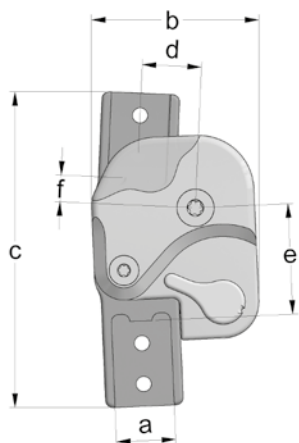
20mm

Joint Dimensions [mm]

Dimension	Description	System Width a	
		16mm	20mm
b	joint head width	45	56
c	joint height	85	95
d	posterior offset	16	20
e	distance pivot point – lower system case	30	32
f	distance pivot point – upper system case	7	8
	joint thickness	15	15

Joint Weights [g]

Material	Unit	System Width	
		16mm	20mm
titanium	piece	108	158



The NEURO MATIC system knee joint is delivered with the following articles:

- orthosis joint grease, 3g
- assembly/lamination dummy

- ➔ Please order the component and lamination dummy set, the lamination dummy for the controller and the system side bars/anchors separately.
- ➔ You will find the component and lamination dummy set on catalogue page F10.7.
- ➔ You will find the lamination dummy for the controller on catalogue page F10.9.
- ➔ You will find system side bars/anchors on catalogue page I1ff.

Note: to produce a KAFO with a NEURO MATIC system knee joint, you need the corresponding component set for the orthosis type as well as the corresponding adaptor screw for the system ankle joint.



straight
fig. 1



bent inwards distally
fig. 2



bent outwards distally
fig. 3

Straight (Fig. 1)

Material	Leg Side	Unit	Article Number for System Width	
			16mm	20mm
titanium	left lateral or right medial	piece	SK3353-L/TI	SK3355-L/TI
	left medial or right lateral	piece	SK3353-R/TI	SK3355-R/TI

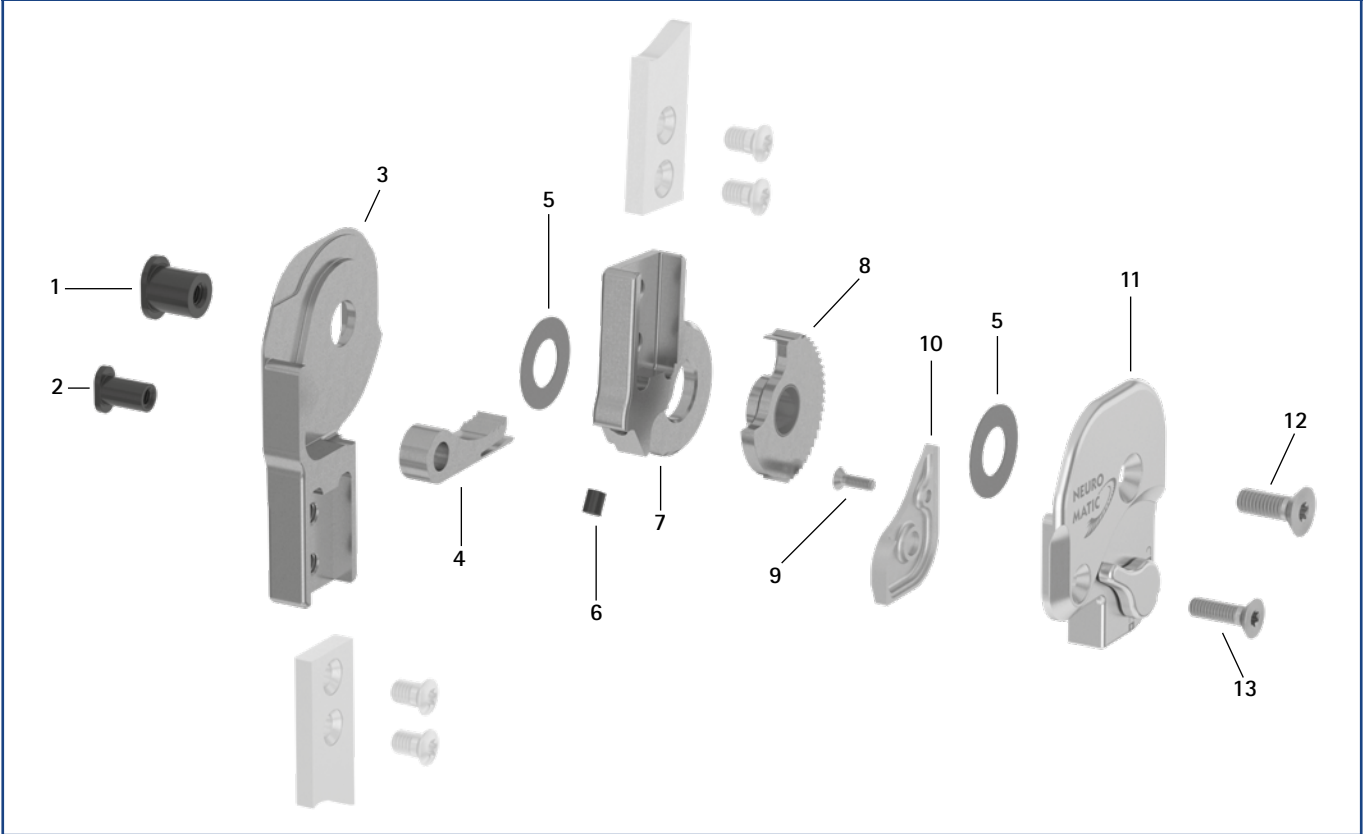
Bent Inwards Distally (Fig. 2)

Material	Leg Side	Unit	Article Number for System Width	
			16mm	20mm
titanium	left lateral or right medial	piece	SK3373-L/TI	SK3375-L/TI
	left medial or right lateral	piece	SK3373-R/TI	SK3375-R/TI

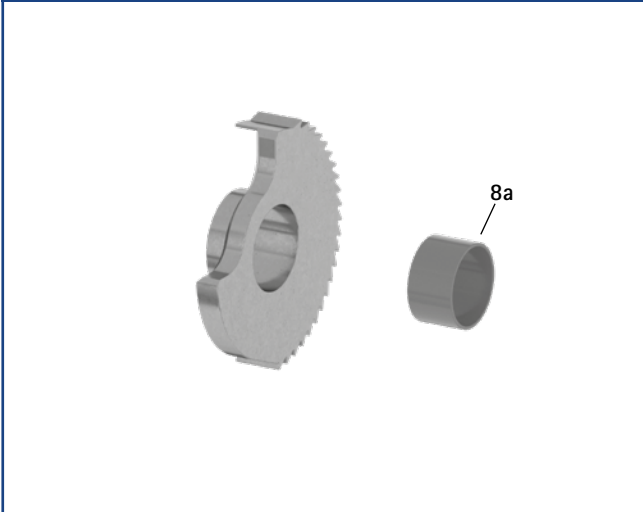
Bent Outwards Distally (Fig. 3)

Material	Leg Side	Unit	Article Number for System Width	
			16mm	20mm
titanium	left lateral or right medial	piece	SK3343-L/TI	SK3345-L/TI
	left medial or right lateral	piece	SK3343-R/TI	SK3345-R/TI

Spare Parts



Toothed Ring with Sliding Bushing, Preassembled (8)

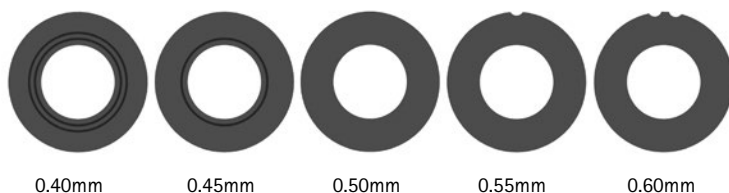


Item	Article Number for System Width		Description
	16mm	20mm	
1	SB9669-L0990	SB1069-L1000	bearing nut (joint axis)
2	SB6049-L0990	SB8559-L1000	bearing nut (locking pawl)
3	SK0313-L/TI	SK0315-L/TI	lower part, left lateral or right medial, straight, titanium
3	SK0313-R/TI	SK0315-R/TI	lower part, left medial or right lateral, straight, titanium
3	SK0333-L/TI	SK0335-L/TI	lower part, left lateral or right medial, bent inwards, titanium
3	SK0333-R/TI	SK0335-R/TI	lower part, left medial or right lateral, bent inwards, titanium
3	SK0333-8L/TI	SK0335-8L/TI	lower part, left lateral or right medial, bent outwards, titanium
3	SK0333-8R/TI	SK0335-8R/TI	lower part, left medial or right lateral, bent outwards, titanium
4	SK0373	SK0375-2	locking pawl
5	GS1910-*	GS2411-*	sliding washer*
6	PN1000-L06	PN1000-L06	extension stop damper
7	SK0303-2L/TI	SK0305-2L/TI	5° upper part, left lateral or right medial, straight, titanium
7	SK0303-2R/TI	SK0305-2R/TI	5° upper part, left medial or right lateral, straight, titanium
8	SK0363-2L	SK0365-2L	toothed ring with sliding bushing, left lateral or right medial, titanium
8	SK0363-2R	SK0365-2R	toothed ring with sliding bushing, left medial or right lateral, titanium
8a	BP1110-L059	BP1211-L059	sliding bushing
9	SC1403-L08/1	SC1403-L08/1	countersunk flat head screw with hexalobular socket
10	SK0353-4L/AL	SK0355-4L/AL	small cover plate, left lateral or right medial, aluminium
10	SK0353-4R/AL	SK0355-4R/AL	small cover plate, left medial or right lateral, aluminium
11	SK3393-L	SK3395-L	cover plate with lever, left lateral or right medial
11	SK3393-R	SK3395-R	cover plate with lever, left medial or right lateral
12	SC1405-L14	SC1406-L14	countersunk flat head screw with hexalobular socket (axle screw)
13	SC1404-L14	SC1405-L14	countersunk flat head screw with hexalobular socket
9-13	SK3383-L	SK3385-L	functional unit, left lateral or right medial
9-13	SK3383-R	SK3385-R	functional unit, left medial or right lateral

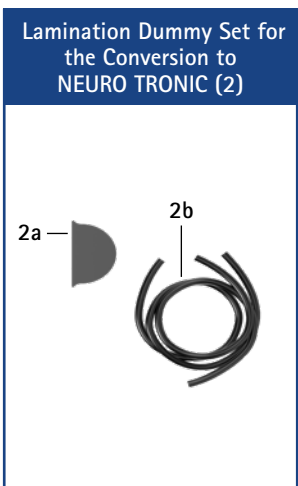
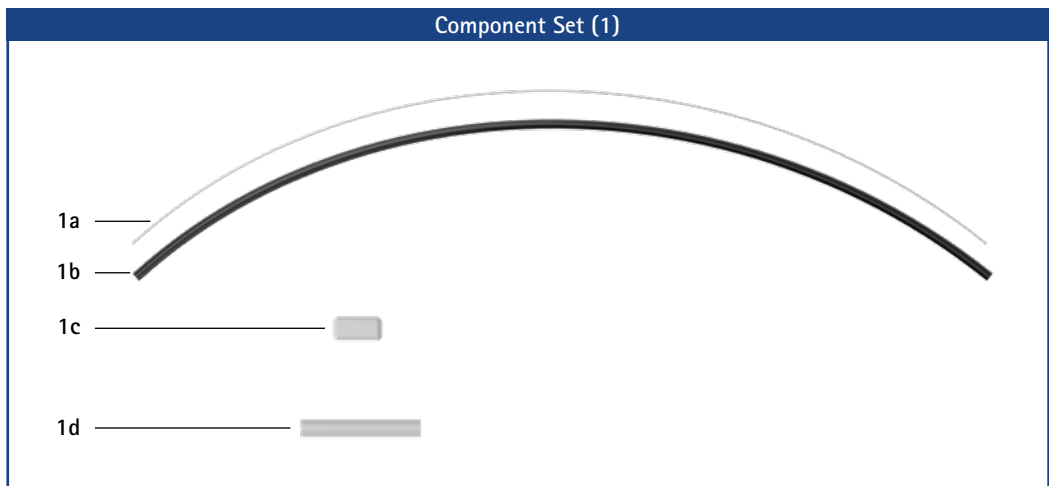
* Sliding Washers

	Article Number for System Width	
	16mm	20mm
	∅ = 19mm	∅ = 24mm
	GS1910-040	GS2411-040
	GS1910-045	GS2411-045
	GS1910-050	GS2411-050
	GS1910-055	GS2411-055
	GS1910-060	GS2411-060

The last three digits of the article number stand for the thickness of the sliding washer, e.g. GS1910-**040**. The thickness of this sliding washer is 0.40mm. In total, the sliding washers are available in five different thicknesses. The thickness of a sliding washer is indicated by the markings. For example, a sliding washer with two notches is 0.40mm thick, whereas a sliding washer with one notch is 0.55mm thick.

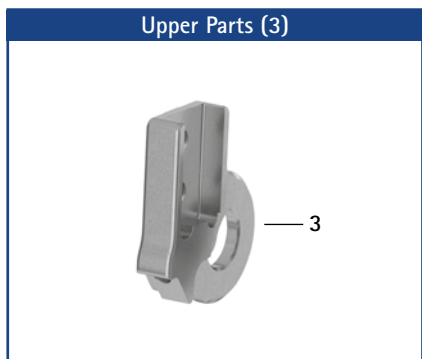


→ You will find the system side bars and system anchors on catalogue page I1ff.



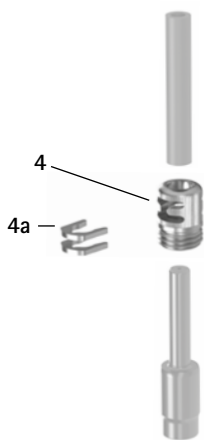
Component Set					
Item	Article Number	Description	Unit	Quantity	
				Unilateral	Bilateral
1	SK3300-LR	component set, unilateral	set	1	-
1	SK3300	component set, bilateral	set	-	1
1a	RM0500-ST008	wire, steel, 500mm long	piece	2	4
1b	ZS0104-L500	cable cover with inner tube, 500mm long	piece	1	2
1c	SK0935-06	lamination dummy for cable cover guidance	piece	1	2
1d	SK0935-05	cable cover conduit made of plastic	piece	1	2
w/o fig.	OB1000-XL	cloth bag for orthoses with logo	piece	1	1

Lamination Dummy Set for the Conversion to NEURO TRONIC					
Item	Article Number	Description	Unit	Quantity	
				Unilateral	Bilateral
2	SK3850-1	lamination dummy set, unilateral	set	1	-
2	SK3850-2	lamination dummy set, bilateral	set	-	1
2a	ET0971-1	lamination dummy for cable length compensation, 4mm	piece	1	2
2b	SK0935-11	lamination dummy for solenoid connection cable, 250mm	piece	1	1
2b	SK0935-12	lamination dummy for solenoid connection cable, 170mm	piece	-	1
2b	SK0935-13	lamination dummy for solenoid connection cable, 85mm	piece	-	1

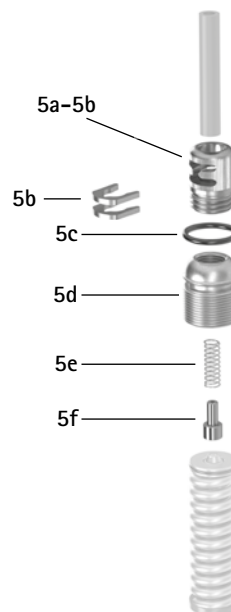


Upper Parts			
Item	Article Number for System Width		Description
	16mm	20mm	
3	SK0303-L/TI	SK0305-L/TI	0° upper part, left lateral or right medial, straight, titanium
3	SK0303-R/TI	SK0305-R/TI	0° upper part, left medial or right lateral, straight, titanium
3	SK0303-4L/TI	SK0305-4L/TI	10° upper part, left lateral or right medial, straight, titanium
3	SK0303-4R/TI	SK0305-4R/TI	10° upper part, left medial or right lateral, straight, titanium

Adaptor Screw for NEURO VARIO-SPRING, NEURO VARIO-SPRING 2 and NEURO CLASSIC-SPRING (4)



Adaptor Unit for NEURO VARIO-SWING, NEURO CLASSIC-SWING, NEURO SWING and NEURO SWING 2 (5)



Adaptor Screw for NEURO VARIO-SPRING

Item	Article Number for System Width			Description
	14mm	16mm	20mm	
4	SC3018-L12	SC3009-L12	SC3010-L13	adaptor screw with 2 retaining washers
4a	SK0395-01	SK0395-01	SK0395-01	retaining washer

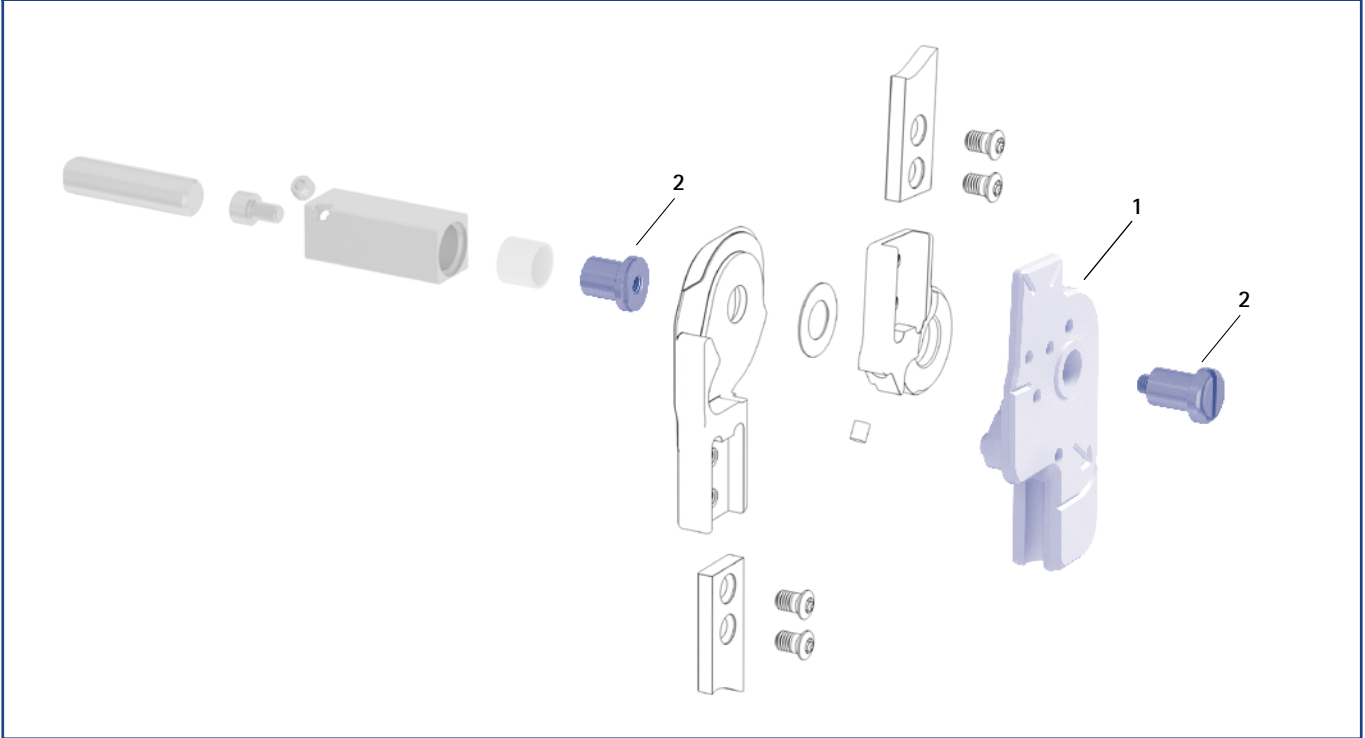
Adaptor Screw for NEURO VARIO-SPRING 2 and NEURO CLASSIC-SPRING

Item	Article Number for System Width					Description
	10mm	12mm	14mm	16mm	20mm	
4	SC3007-L15	SC3008-L15	SC3009-L17	SC3011-L17	SC3011-L17	adaptor screw with 2 retaining washers
4a	SK0395-01	SK0395-01	SK0395-01	SK0395-01	SK0395-01	retaining washer

Adaptor Unit for NEURO VARIO-SWING, NEURO CLASSIC-SWING, NEURO SWING and NEURO SWING 2

Item	Article Number for System Width			Description
	14mm	16mm	20mm	
5	SC3012-L15	SC3014-L16	SC3018-L18	adaptor unit
5a-5b	SC3208-L15	SC3208-L15	SC3208-L15	adaptor screw with 2 retaining washers
5b	SK0395-01	SK0395-01	SK0395-01	retaining washer
5c	VE3771-09/15	VE3771-11/15	VE3771-125/15	O-ring for securing the alignment screw
5d	SC3012-L15/0	SC3014-L16/0	SC3018-L18/0	alignment screw
5e	FE1415-01	FE1415-01	FE1415-01	pressure spring
5f	SF0593-1/0	SF0593-1/0	SF0593-1/0	pin

Assembly/Lamination Dummies and Joint Retainers



Assembly/Lamination Dummies and Joint Retainers

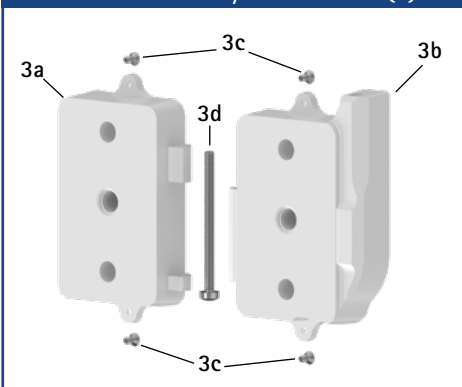
Item	Article Number for System Width		Description	Unit
	16mm	20mm		
1	SK0933-L	SK0935-L	assembly/lamination dummy, left lateral or right medial	piece
1	SK0933-R	SK0935-R	assembly/lamination dummy, left medial or right lateral	piece
2	PE1015-LR	PE1025-LR	joint retainer	piece
	6/C	7/C	laser marking	-

➔ Assembly/lamination dummies are included in the scope of delivery of the system joints.

➔ You will find an overview of our tools on catalogue page J1ff.

➔ You will also find the joint retainers and the corresponding laser markings in the tool case on the catalogue pages J13 and J14.

Lamination Dummy for Controller (3)



Lamination Dummy for Controller*

Item	Article Number	Description	Unit
3	ET0935	lamination dummy for controller, two parts	set
3a	ET0935-1	lamination dummy for controller, battery side	piece
3b	ET0935-2	lamination dummy for controller, cable side	piece
3c	SC1302-L04	countersunk flat head screw with cross recess H, 4 pieces	piece
3d	SC0403-L40	pan head screw with hexalobular socket	piece

* You need this lamination dummy for a potential conversion into NEURO TRONIC.

CROSSROADS

Orthosis Shoes. Different.

FIOR & GENTZ
ORTHOPÄDIETECHNIK MIT SYSTEM



*with elastic outsole
made of EVA material*

*with elastic
vibram® flat sole*

Comfortable fit with and without orthosis.

CROSSROADS orthosis shoes always guarantee a perfect fit thanks to their special design and the carefully chosen material. The integrated elastic textile material as well as two removable insoles offer a flexible volume. Furthermore, it is possible to create an outsole elevation with an EVA sheet and to re-attach a vibram® flat sole to the shoe. CROSSROADS is available as a pair in four different combinations of the widths REGULAR and SLIM, which makes the fit ideal for any foot – with and without orthosis.

Shoe Measurements		Use
pitch*	15mm	h-Cast
heel height**	25mm	Orthosis Configurator

* The height of the pitch corresponds to the height of the h-Cast plate to be used in the physical examination.

** The heel height is used in the Orthosis Configurator as part of the calculation basis.

Size	36-48	
Material	high quality leather – certified cow leather used for the upper material and calf leather used for the inner lining ensure the highest wearing comfort	
Shoe Designs	REGULAR left and right SLIM left and right	REGULAR left/SLIM right SLIM left/REGULAR right

All orthosis shoes are sold in pairs for each shoe size.

You will find CROSSROADS orthosis shoes on catalogue page L10.1.

NEURO TRONIC



Bluetooth® and Apps

Via Bluetooth*, you can easily connect the controller to the remote control, the Expert app (for orthotists) and the User app (for patients).





The Expert app is required to put the orthosis into operation and to adjust it. The app must be activated once via the login area of the FIOR & GENTZ website.

The User app operates the orthosis. It is available as a complement to the remote control.



*The Bluetooth® word mark and logos are registered trademarks of Bluetooth SIG, Inc. and any use of such marks by FIOR & GENTZ is under license.

Main Function	 <p>monocentric, automatic stance phase control with posterior offset</p> <ul style="list-style-type: none"> - preassembled in 5° flexion
Activation	<p>electromechanical locking and unlocking via motion sensors</p>
Type of Extension Stop	 <p>static extension stop</p>
Adjustment Options	<p>flexion angle can be adjusted as required (0°, 10°) by exchanging the joint's upper part</p>
Other Functions	<p>mode change via lever on the cover plate, remote control or apps</p> <p>basic function in Auto mode</p> <ul style="list-style-type: none"> - locked in stance phase, free moving in swing phase - range of motion in extension can be limited as required by exchanging the joint's upper part (swing phase) - flexion angle can be adjusted as required by exchanging the joint's upper part (stance phase) <p>alternative function in Lock mode</p> <ul style="list-style-type: none"> - permanently mechanically locked via remote control/apps <p>alternative function in Free mode</p> <ul style="list-style-type: none"> - permanently mechanically unlocked via lever or electromechanically via remote control/apps

The NEURO TRONIC system knee joint can be converted into the NEURO MATIC system knee joint by exchanging the functional unit and other corresponding system components. An orthosis with a NEURO TRONIC system knee joint can be converted into an orthosis with a NEURO HiTRONIC system knee joint by exchanging the system joint.

The NEURO VARIO system knee joint can be used as a supporting joint for the NEURO TRONIC system knee joint.



To produce an orthosis with a NEURO TRONIC system knee joint, you need the following components:

- ➔ system knee joint (page F20.4)
- ➔ component set (page F20.7)
- ➔ lamination dummy for the controller (page F20.8)
- ➔ system side bars/anchors (page J1ff.)
- ➔ Expert app
- ➔ User app (optional for the patient)



16mm

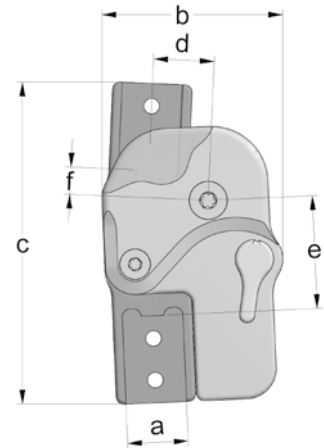
20mm

Joint Dimensions [mm]

Dimension	Description	System Width a	
		16mm	20mm
b	joint head width	48	56
c	joint height	85	95
d	posterior offset	16	20
e	distance pivot point – lower system case	30	32
f	distance pivot point – upper system case	7	8
	joint thickness	16.5	16.5

Joint Weights [g]

Material	Unit	System Width	
		16mm	20mm
titanium	piece	126	174



The NEURO TRONIC system knee joint is delivered with the following articles:

- orthosis joint grease, 3g
- assembly/lamination dummy

- ➔ Please order the component set, the lamination dummy for the controller and the system side bars/anchors separately.
- ➔ You will find the component set on catalogue page F20.7.
- ➔ You will find the remote control for the patient on catalogue page F20.7.
- ➔ You will find the lamination dummy for the controller on catalogue page F20.8.
- ➔ You will find system side bars/anchors on catalogue page J1ff.

Note: the Expert app is required to put an orthosis with a NEURO TRONIC system knee joint into operation and to adjust it. The app must be activated once via the login area of the FIOR & GENTZ website. You can download the Expert app for any number of smartphones/tablets for Android and iOS and use it to adjust the orthosis. The User app is available to patients to complement their remote control and can be operated via their smartphone/tablet or their Apple Watch*.

* Apple Watch is a trademark of Apple Inc., registered in the U.S. and other countries.



straight
fig. 1



bent inwards distally
fig. 2



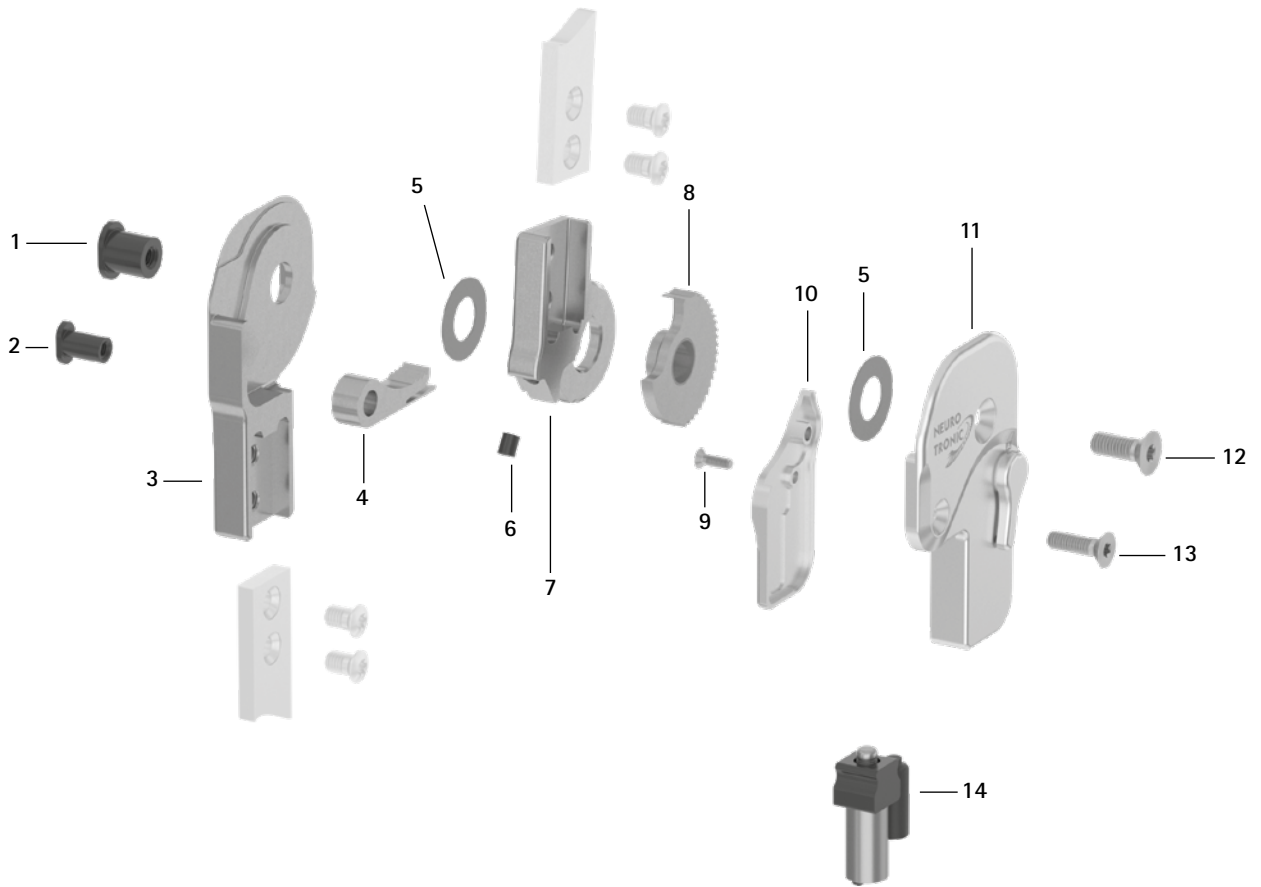
bent outwards distally
fig. 3

Straight (Fig. 1)				
Material	Leg Side	Unit	Article Number for System Width	
			16mm	20mm
titanium	left lateral or right medial	piece	SK3853-L/TI	SK3855-L/TI
	left medial or right lateral	piece	SK3853-R/TI	SK3855-R/TI

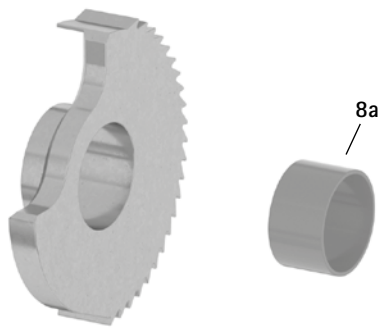
Bent Inwards Distally (Fig. 2)				
Material	Leg Side	Unit	Article Number for System Width	
			16mm	20mm
titanium	left lateral or right medial	piece	SK3873-L/TI	SK3875-L/TI
	left medial or right lateral	piece	SK3873-R/TI	SK3875-R/TI

Bent Outwards Distally (Fig. 3)				
Material	Leg Side	Unit	Article Number for System Width	
			16mm	20mm
titanium	left lateral or right medial	piece	SK3843-L/TI	SK3845-L/TI
	left medial or right lateral	piece	SK3843-R/TI	SK3845-R/TI

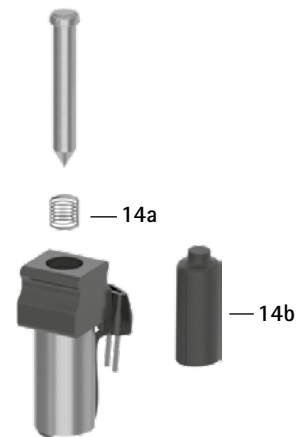
Spare Parts



Toothed Ring with Sliding Bushing, Preassembled (8)



Solenoid Unit (14)



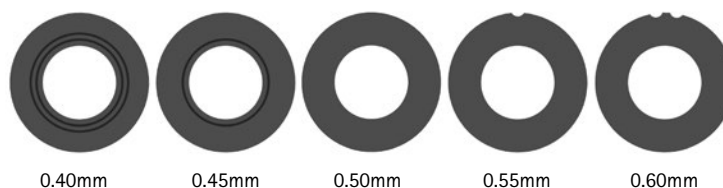
Spare Parts			
Item	Article Number for System Width		Description
	16mm	20mm	
1	SB9669-L0990	SB1069-L1000	bearing nut (joint axis)
2	SB6049-L0990	SB8559-L1000	bearing nut (locking pawl)
3	SK0313-L/TI	SK0315-L/TI	lower part, left lateral or right medial, straight, titanium
3	SK0313-R/TI	SK0315-R/TI	lower part, left medial or right lateral, straight, titanium
3	SK0333-L/TI	SK0335-L/TI	lower part, left lateral or right medial, bent inwards, titanium
3	SK0333-R/TI	SK0335-R/TI	lower part, left medial or right lateral, bent inwards, titanium
3	SK0333-8L/TI	SK0335-8L/TI	lower part, left lateral or right medial, bent outwards, titanium
3	SK0333-8R/TI	SK0335-8R/TI	lower part, left medial or right lateral, bent outwards, titanium
4	SK0373	SK0375-2	locking pawl
5	GS1910-*	GS2411-*	sliding washer*
6	PN1000-L06	PN1000-L06	extension stop damper
7	SK0303-2L/TI	SK0305-2L/TI	5° upper part, left lateral or right medial, straight, titanium
7	SK0303-2R/TI	SK0305-2R/TI	5° upper part, left medial or right lateral, straight, titanium
8	SK0363-2L	SK0365-2L	toothed ring with sliding bushing, left lateral or right medial, titanium
8	SK0363-2R	SK0365-2R	toothed ring with sliding bushing, left medial or right lateral, titanium
8a	BP1110-L059	BP1211-L059	sliding bushing
9	SC1403-L08/1	SC1403-L08/1	countersunk flat head screw with hexalobular socket
10	SK0343-2L/AL	SK0345-2L/AL	small cover plate, left lateral or right medial, aluminium
10	SK0343-2R/AL	SK0345-2R/AL	small cover plate, left medial or right lateral, aluminium
11	SK3893-L	SK3895-L	cover plate with lever, left lateral or right medial
11	SK3893-R	SK3895-R	cover plate with lever, left medial or right lateral
12	SC1405-L14	SC1406-L14	countersunk flat head screw with hexalobular socket (axle screw)
13	SC1404-L14	SC1405-L14	countersunk flat head screw with hexalobular socket
14	SK0385	SK0385	solenoid unit
14a	FE1508-01	FE1508-01	pressure spring
14b	ET0723-6/18	ET0723-6/18	end cap for connector of the solenoid
9-14	SK3883-L	SK3885-L	functional unit, left lateral or right medial
9-14	SK3883-R	SK3885-R	functional unit, left medial or right lateral

* Sliding Washers

Article Number for System Width	
16mm	20mm
∅ = 19mm	∅ = 24mm
GS1910-040	GS2411-040
GS1910-045	GS2411-045
GS1910-050	GS2411-050
GS1910-055	GS2411-055
GS1910-060	GS2411-060

→ You will find the system side bars and system anchors on catalogue page J1ff.

The last three digits of the article number stand for the thickness of the sliding washer, e.g. GS1910-040. The thickness of this sliding washer is 0.40mm. In total, the sliding washers are available in five different thicknesses. The thickness of a sliding washer is indicated by the markings. For example, a sliding washer with two notches is 0.40mm thick, whereas a sliding washer with one notch is 0.55mm thick.



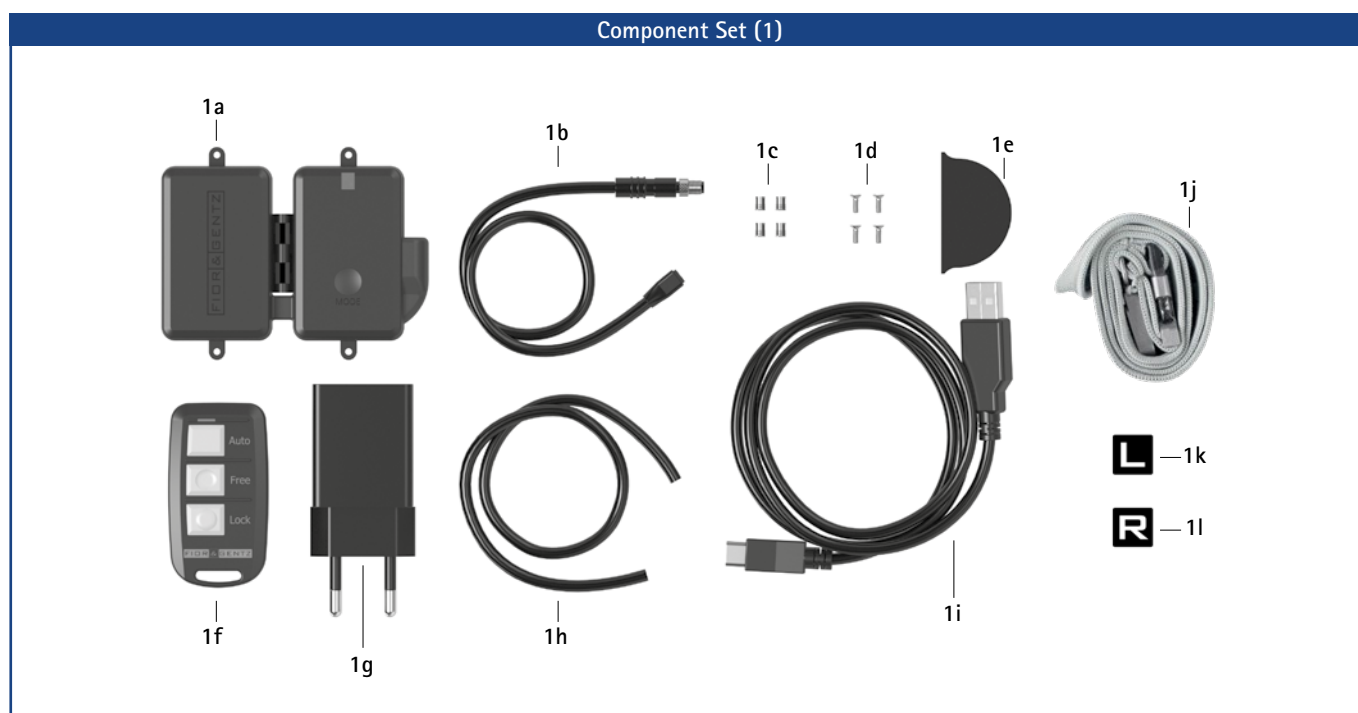
0.40mm

0.45mm

0.50mm

0.55mm

0.60mm



Component Set* (with Bluetooth and Integrated Lithium-Polymer Battery)

Item	Article Number	Description	Unit	Quantity	
				Unilateral	Bilateral
1	SK3850-LR	component set, unilateral	set	1	-
1	SK3850	component set, bilateral	set	-	1
1a	ET3850	controller with Bluetooth with lithium-polymer battery	piece	1	1
1b	ET0712-00	connection cable for solenoid, unilateral, 300mm	piece	1	-
1b	ET0712-02	connection cable for solenoid, bilateral, 420mm	piece	-	1
1c	VE0831-A3**	thread insert**	piece	4	4
1d	SC1302-L06**	countersunk flat head screw with cross recess H**	piece	4	4
1e	ET0971-1	lamination dummy for cable length compensation	piece	1	2
1f	ET3840-P	remote control with Bluetooth for the patient	piece	1	1
1g	ET0780	adapter	piece	1	1
1h	SK0935-11	lamination dummy for solenoid connection cable, 250mm	piece	1	1
1h	SK0935-12	lamination dummy for solenoid connection cable, 170mm	piece	-	1
1h	SK0935-13	lamination dummy for solenoid connection cable, 85mm	piece	-	1
1i	ET0710-01	charging cable	piece	1	1
1j	PR4000	lanyard FIOR & GENTZ	piece	1	1
1k	HE3800-SK/L	letter sticker L for remote control, left leg	piece	1	1
1l	HE3800-SK/R	letter sticker R for remote control, right leg	piece	1	1
w/o fig.	OB1000-XL	cloth bag for orthoses with logo	piece	1	1

* The components can also be ordered separately in the component set. Select the unilateral or bilateral component set depending on the construction. Note that both sets only contain one controller each. A second controller is not required for a bilateral construction.

** required for mounting the controller

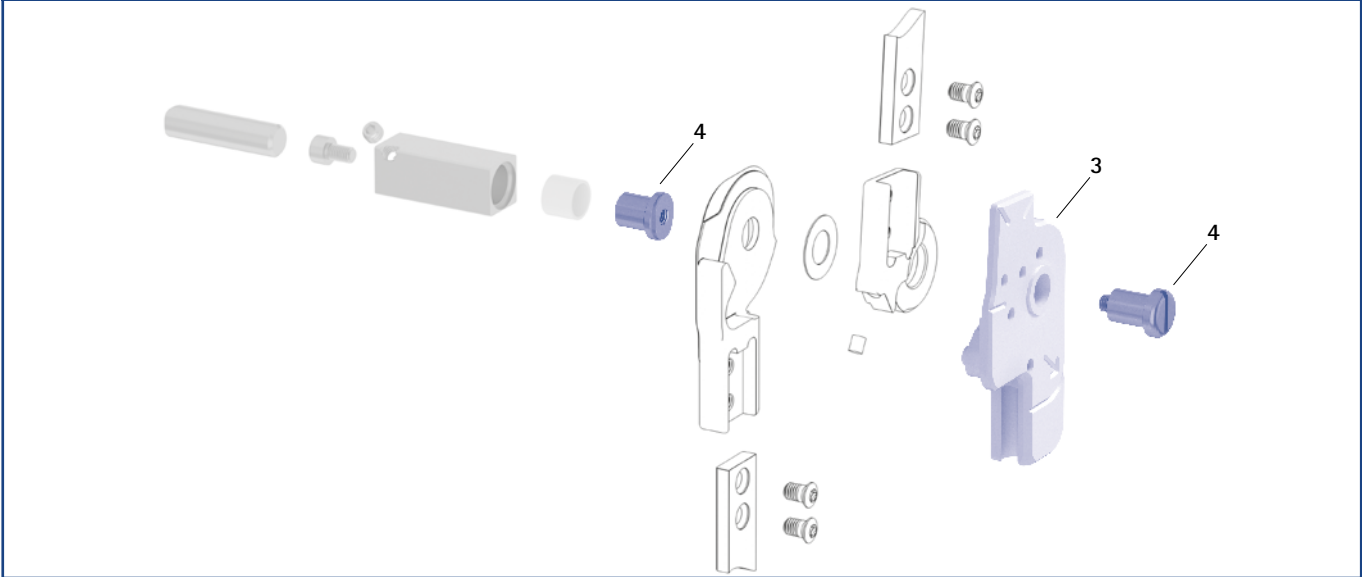
Upper Parts (2)



Upper Parts

Item	Article Number for System Width		Description
	16mm	20mm	
2	SK0303-L/TI	SK0305-L/TI	0° upper part, left lateral or right medial, straight, titanium
2	SK0303-R/TI	SK0305-R/TI	0° upper part, left medial or right lateral, straight, titanium
2	SK0303-4L/TI	SK0305-4L/TI	10° upper part, left lateral or right medial, straight, titanium
2	SK0303-4R/TI	SK0305-4R/TI	10° upper part, left medial or right lateral, straight, titanium

Assembly/Lamination Dummies and Joint Retainers (3, 4)



Assembly/Lamination Dummies and Joint Retainers

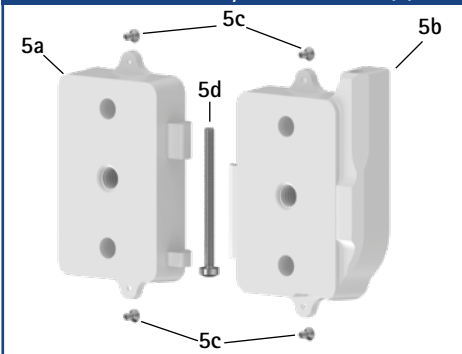
Item	Article Number for System Width		Description	Unit
	16mm	20mm		
3	SK0933-L	SK0935-L	assembly/lamination dummy, left lateral or right medial	piece
3	SK0933-R	SK0935-R	assembly/lamination dummy, left medial or right lateral	piece
4	PE1015-LR	PE1025-LR	joint retainer	piece
	6/C	7/C	laser marking	-

➔ Assembly/lamination dummies are included in the scope of delivery of the system joints.

➔ You will find an overview of our tools on catalogue page K1ff.

➔ You will also find the joint retainers and the corresponding laser markings in the tool case on the catalogue pages K13 and K14.

Lamination Dummy for Controller (5)



Lamination Dummy for Controller

Item	Article Number	Description	Quantity	
			Unilateral	Bilateral
5	ET0935	lamination dummy for controller, two parts	-	1
5a	ET0935-1	lamination dummy for controller, battery side	-	1
5b	ET0935-2	lamination dummy for controller, cable side	-	1
5c	SC1302-L04	countersunk flat head screw with cross recess H, 4 pieces	-	4
5d	SC0403-L40	pan head screw with hexalobular socket	-	1

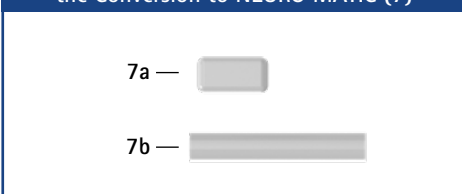
Lamination Dummy for Solenoid Connection Cable (6)



Lamination Dummy for Solenoid Connection Cable

Item	Article Number	Description	Unit	Quantity	
				Unilateral	Bilateral
6	ET0972-2	lamination dummy for solenoid connection cable, wye junction, bilateral	piece	-	1

Lamination Dummy Set for the Conversion to NEURO MATIC (7)



Lamination Dummy Set for the Conversion to NEURO MATIC

Item	Article Number	Description	Unit	Quantity	
				Unilateral	Bilateral
7	SK3300-1	lamination dummy set, unilateral	set	1	-
7	SK3300-2	lamination dummy set, bilateral	set	-	1
7a	SK0935-06	lamination dummy for cable cover guidance	piece	1	2
7b	SK0935-05	cable cover conduit made of plastic	piece	1	2

NEURO HiTRONIC



Bluetooth® and Apps

Via Bluetooth*, you can easily connect the controller to the remote control, the Expert app (for orthotists) and the User app (for patients).



The Expert app is required to put the orthosis into operation and to adjust it. The app must be activated once via the login area of the FIOR & GENTZ website.

The User app operates the orthosis. It is available as a complement to the remote control.



*The Bluetooth® word mark and logos are registered trademarks of Bluetooth SIG, Inc. and any use of such marks by FIOR & GENTZ is under license.

Main Function



monocentric, automatic stance phase control with posterior offset
- preassembled in 5° flexion

Activation

electrohydraulic locking and unlocking via motion sensors

Type of Extension Stop



static extension stop

Adjustment Options

flexion angle can be adjusted as required (0°, 10°) by exchanging the extension stop/the flexion stop disc

Other Functions

mode change via remote control or apps

basic function in Auto mode

- locked in stance phase, free moving in swing phase
- range of motion in extension can be limited as required by exchanging the extension stop/the flexion stop disc (swing phase)
- flexion angle can be adjusted as required by exchanging the extension stop/the flexion stop disc (stance phase)

alternative function in Lock mode

- permanently mechanically locked via remote control/apps

alternative function in Free mode

- permanently mechanically unlocked via rotary switch under the system joint or electromechanically via remote control/apps

The NEURO HiTRONIC system knee joint can be converted into the NEURO MATIC and the NEURO TRONIC system knee joints by exchanging the system joint.

The NEURO VARIO system knee joint can be used as a supporting joint for the NEURO HiTRONIC system knee joint.



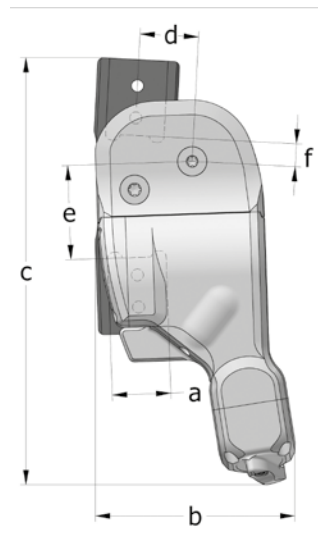
To produce an orthosis with a NEURO HITRONIC system knee joint, you need the following components:

- system knee joint (page F30.4)
- component set (page F30.7)
- tool set, incl. lamination dummy for the controller and shaping dummy (page F30.9f.)
- system side bars/anchors (page J1ff.)
- Expert app
- User app (optional for the patient)



20mm

Joint Dimensions [mm]		
Dimension	Description	System Width a 20mm
b	joint head width	68
c	joint height	146
d	posterior offset	20
e	distance pivot point – lower system case	32
f	distance pivot point – upper system case	8
	joint thickness	34.5



Joint Weights [g]		
Material	Unit	System Width 20mm
titanium	piece	342

The NEURO HiTRONIC system knee joint is delivered with the following articles:

- orthosis joint grease, 3g
- assembly/lamination dummy

- ➔ Please order the component set, the lamination dummy for the controller, the shaping dummy and the system side bars/anchors separately.
- ➔ You will find the component set on catalogue page F30.7.
- ➔ You will find the remote control for the patient on catalogue page F30.7.
- ➔ You will find the lamination dummy for the controller on catalogue page F30.10.
- ➔ You will find the shaping dummy on catalogue page F30.9.
- ➔ You will find system side bars/anchors on catalogue page 11ff.

Note: the Expert app is required to put an orthosis with a NEURO HiTRONIC system knee joint into operation and to adjust it. The app must be activated once via the login area of the FIOR & GENTZ website. You can download the Expert app for any number of smartphones/tablets for Android and iOS and use it to adjust the orthosis. The User app is available to patients to complement their remote control and can be operated via their smartphone/tablet or their Apple Watch*.

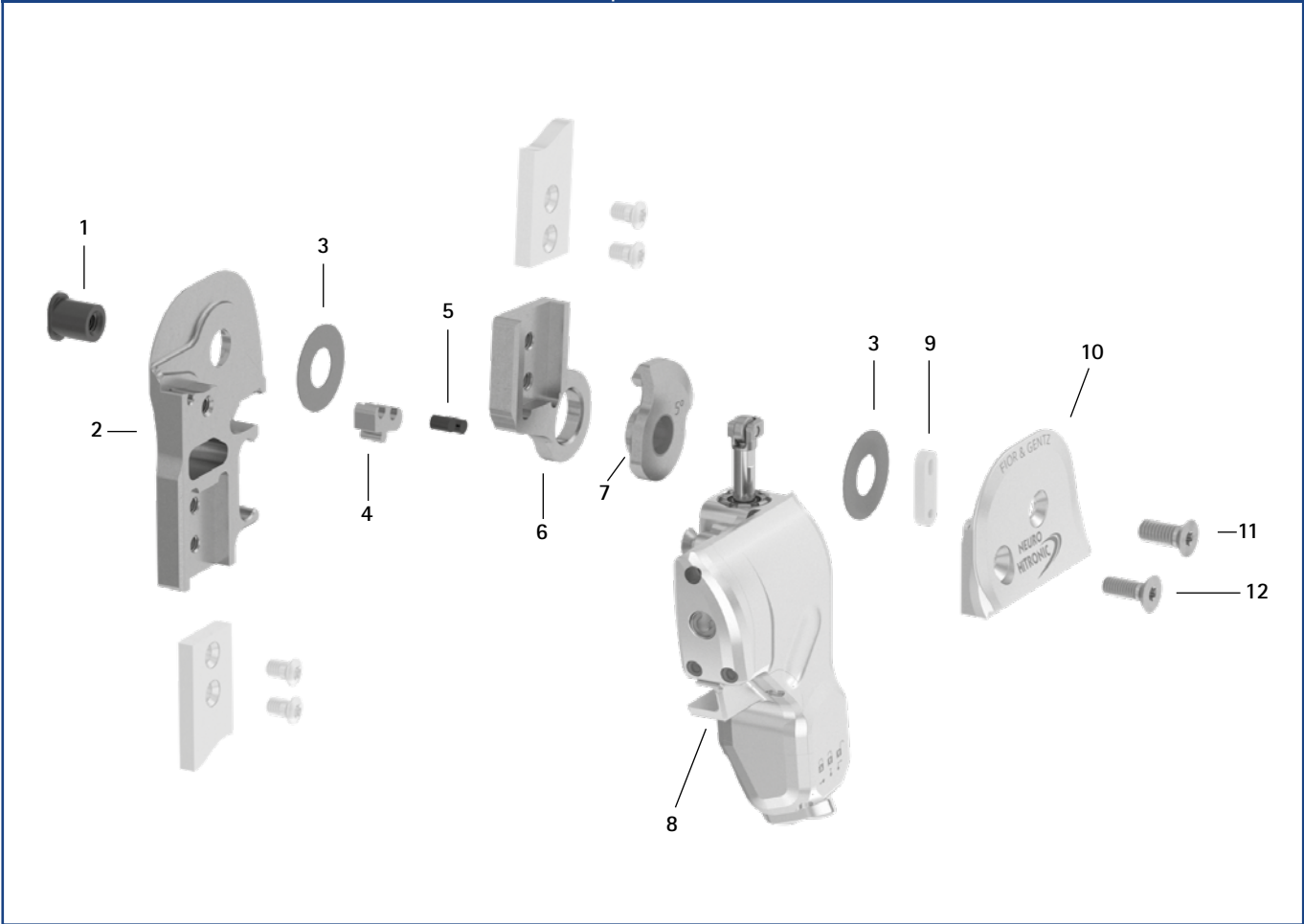
* Apple Watch is a trademark of Apple Inc., registered in the U.S. and other countries.



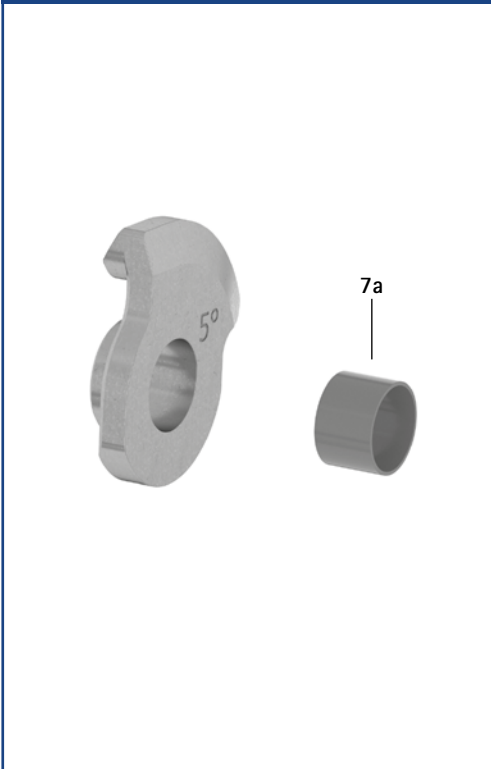
straight
fig. 1

Straight (Fig. 1)			
Material	Leg Side	Unit	Article Number for System Width 20mm
titanium	left lateral or right medial	piece	SL3055-L/TI
	left medial or right lateral	piece	SL3055-R/TI

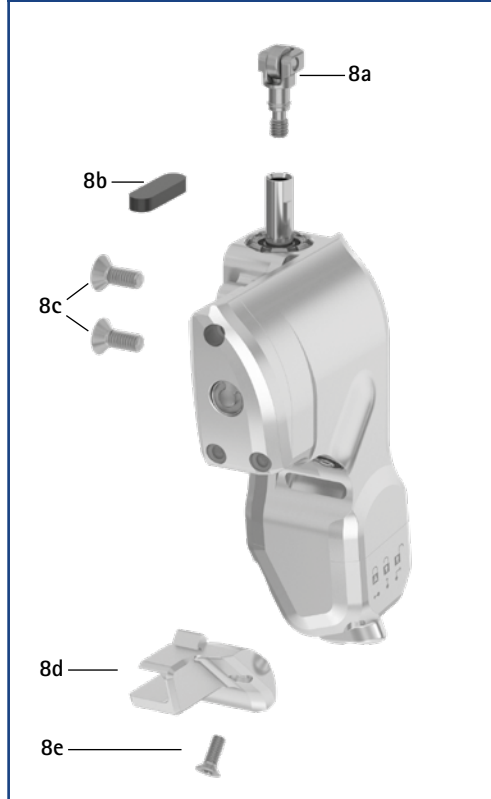
Spare Parts



5° Flexion Stop Disc with Sliding Bushing, Preassembled (7)



Functional Unit, Preassembled (8)

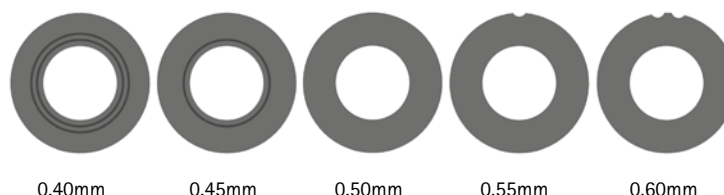


Spare Parts		
Item	Article Number for System Width 20mm	Description
1	SB1069-L1110	bearing nut
2	SL0315-L/TI	lower part, left lateral, straight, titanium
2	SL0315-R/TI	lower part, right lateral, straight, titanium
3	GS2411-*	sliding washer*
4	SL9005-E005	5° extension stop
5	PN1000-L05/5	extension stop damper
6	SL0305-L/TI	upper part, left lateral, straight, titanium
6	SL0305-R/TI	upper part, right lateral, straight, titanium
7	SL0365-2L	5° flexion stop disc with sliding bushing, left lateral
7	SL0365-2R	5° flexion stop disc with sliding bushing, right lateral
7a	BP1211-L077	sliding bushing
8	SL3955-L	functional unit, left lateral
8	SL3955-R	functional unit, right lateral
8a	SL0355-11	roll unit
8b	SL0355-12	air filter
8c	SC1404-L10	countersunk flat head screw with hexalobular socket
8d	SL0355-16/L	cable cover, left lateral
8d	SL0355-16/R	cable cover, right lateral
8e	SC1403-L08/1	raised countersunk head screw with hexalobular socket
9	SL0355-01	guide piece
10	SL0355-L/AL	cover plate, left lateral
10	SL0355-R/AL	cover plate, right lateral
11	SC1406-L14	countersunk flat head screw with hexalobular socket (axle screw)
12	SC1405-L14	countersunk flat head screw with hexalobular socket

* Sliding Washers	
Article Number for System Width 20mm	
	Ø = 24mm
	GS2411-040
	GS2411-045
	GS2411-050
	GS2411-055
	GS2411-060

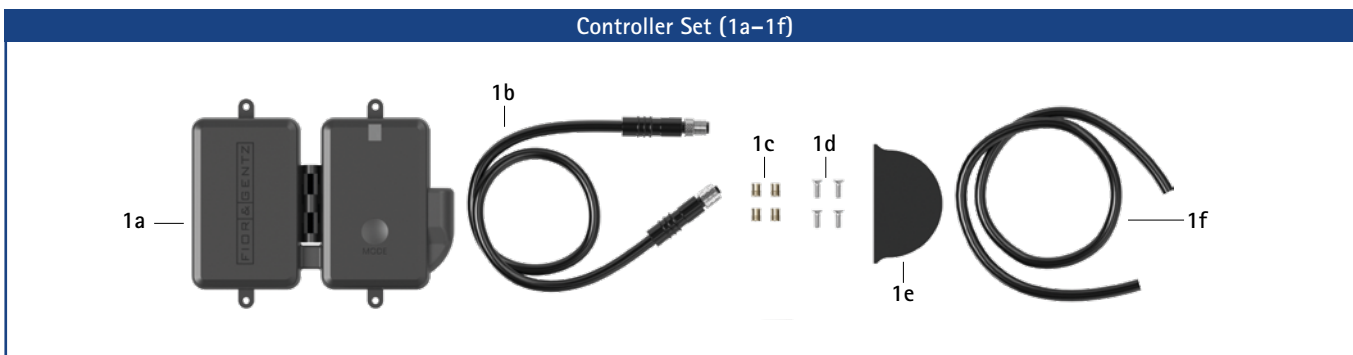
➔ You will find system side bars and system anchors on catalogue page 11ff.

The last three digits of the article number stand for the thickness of the sliding washer, e.g. GS2411-040. The thickness of this sliding washer is 0.40mm. In total, the sliding washers are available in five different thicknesses. The thickness of a sliding washer is indicated by the markings. For example, a sliding washer with two notches is 0.40mm thick, whereas a sliding washer with one notch is 0.55mm thick.



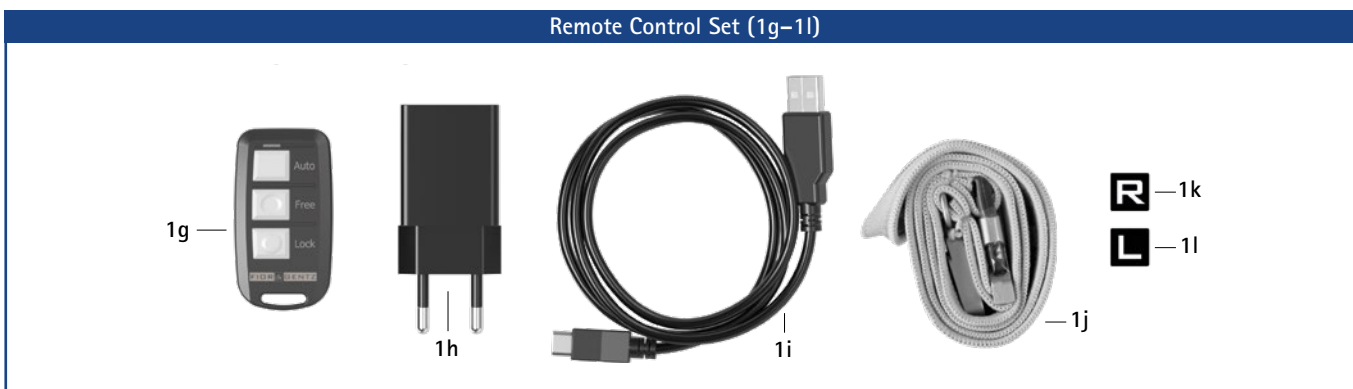
Component Set (with Bluetooth and Integrated Lithium-Polymer Battery, 1)				
Item	Article Number for System Width 20mm	Description	Unit	Quantity Unilateral
1	SL3850-LR	component set, unilateral	set	1
1a-1f	SL3850-S	controller set	set	1
1g-1l	SK3850-P	remote control set	set	1
1m-1s	SL3005-6M	maintenance set*	set	1
w/o fig.	OB1000-XL	cloth bag for orthoses with logo	piece	1

* The maintenance set for the first maintenance after 6 months is included in the scope of delivery of the component set.



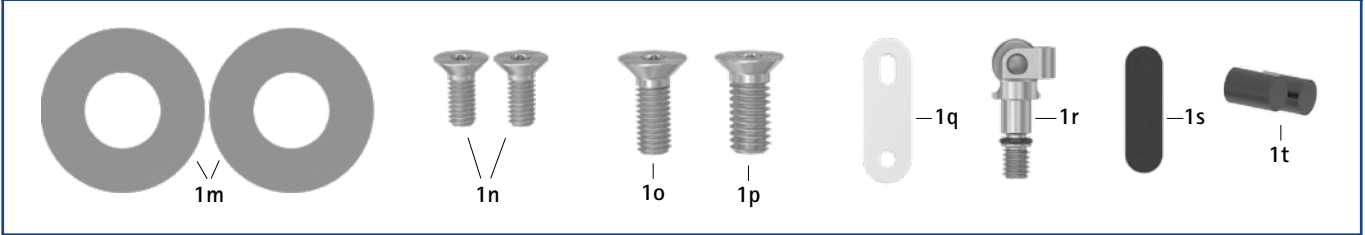
Controller Set				
Item	Article Number for System Width 20mm	Description	Unit	Quantity Unilateral
1a-1f	SL3850-S	controller set	set	1
1a	ET3850	controller with Bluetooth with lithium-polymer battery	piece	1
1b	ET0711-01	connection cable for functional unit, 300mm	piece	1
1c	VE0831-A3**	thread insert**	piece	4
1d	SC1302-L06**	countersunk flat head screw, cross recessed H**	piece	4
1e	ET0971-1	lamination dummy for cable length compensation	piece	1
1f	SL0935-14	lamination dummy for connection cable, 190mm	piece	1

** required for mounting the controller



Remote Control Set				
Item	Article Number for System Width 20mm	Description	Unit	Quantity Unilateral
1g-1l	SK3850-P	remote control set	set	1
1g	ET3840-P	remote control with Bluetooth for the patient	piece	1
1h	ET0780	adapter	piece	1
1i	ET0710-01	charging cable	piece	1
1j	PR4000	lanyard FIOR & GENTZ	piece	1
1k	HE3800-SK/L	letter sticker L for remote control, left leg	piece	1
1l	HE3800-SK/R	letter sticker R for remote control, right leg	piece	1

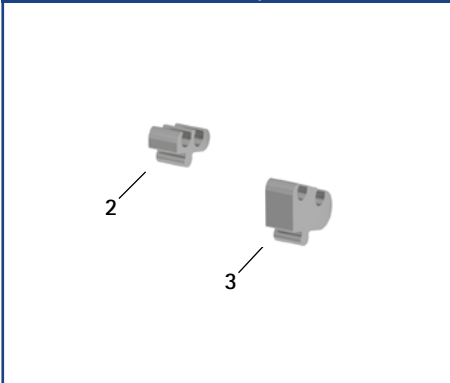
Maintenance Set (1m-1t)



Maintenance Set				
Item	Article Number for System Width 20mm	Description	Unit	Quantity Unilateral
1m-1t	SL3005-6M	maintenance set	set	1
1m	GS2411-***	sliding washer***	piece	2
1n	SC1404-L10	countersunk flat head screw with hexalobular socket	piece	2
1o	SC1405-L14	countersunk flat head screw with hexalobular socket	piece	1
1p	SC1406-L14	countersunk flat head screw with hexalobular socket (axle screw)	piece	1
1q	SL0355-01	guide piece	piece	1
1r	SL0355-11	roll unit	piece	1
1s	SL0355-12	air filter	piece	1
1t	PN1000-L05/5	extension stop damper	piece	2

*** You will find the article numbers of the sliding washers on catalogue page F30.6.

Extension Stops (2-3)

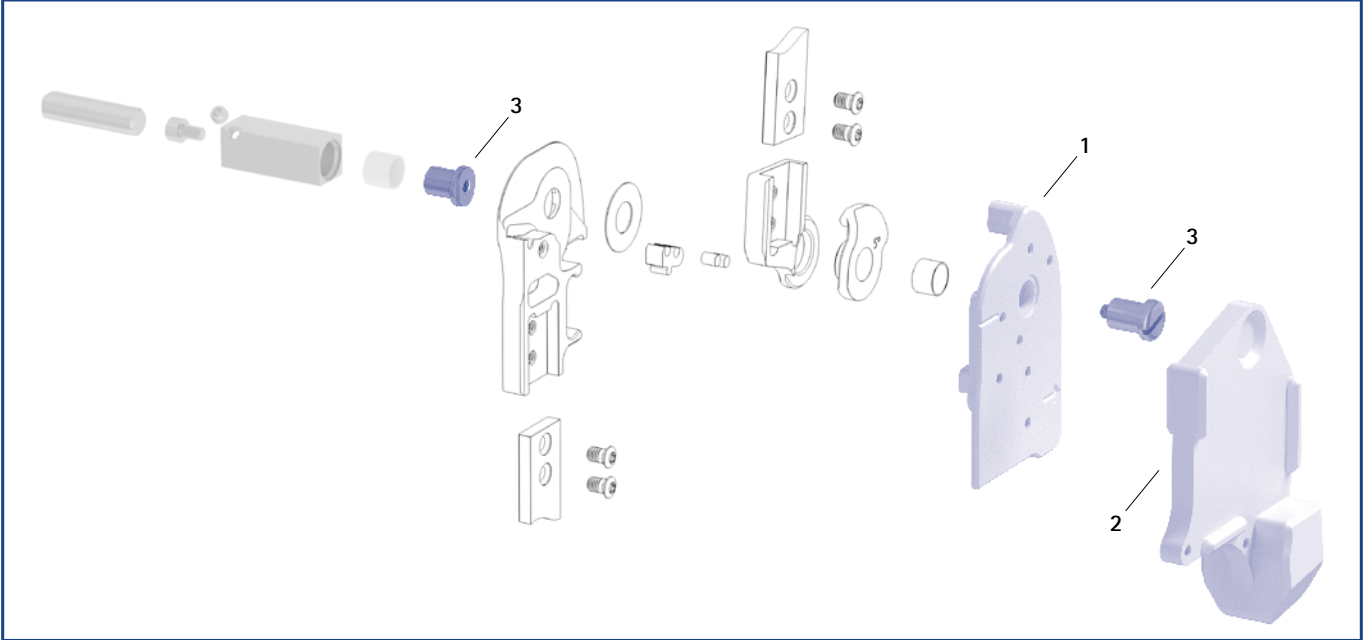


0° Flexion Stop Disc with Sliding Bushing, 10° Flexion Stop Disc with Sliding Bushing, Preassembled (4) (5)



Accessory Parts		
Item	Article Number for System Width 20mm	Description
2	SL9005-E000	0° extension stop
3	SL9005-E010	10° extension stop
4	SL0365-L	0° flexion stop disc with sliding bushing, left lateral
4	SL0365-R	0° flexion stop disc with sliding bushing, right lateral
5	SL0365-4L	10° flexion stop disc with sliding bushing, left lateral
5	SL0365-4R	10° flexion stop disc with sliding bushing, right lateral

Assembly/Lamination Dummies, Shaping Dummy and Joint Retainers (1, 2, 3)

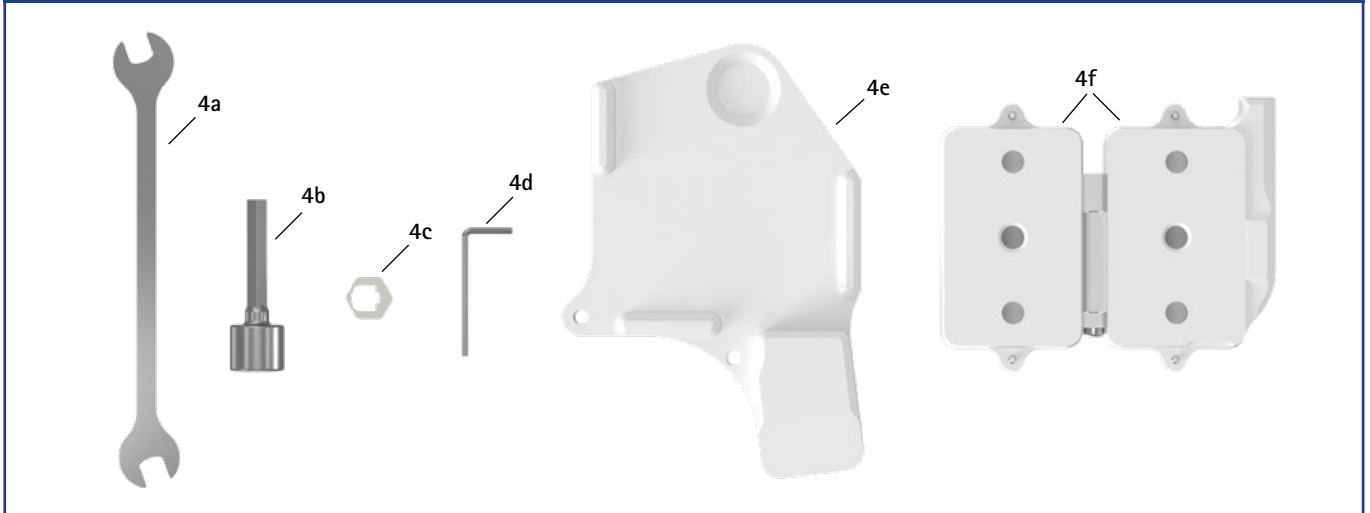


Assembly/Lamination Dummies, Shaping Dummy and Joint Retainers

Item	Article Number for System Width 20mm	Description	Unit
1	SL0935-L	assembly/lamination dummy, left lateral	piece
1	SL0935-R	assembly/lamination dummy, right lateral	piece
2	SL0935-1	shaping dummy, left lateral and right lateral	piece
3	PE1025-LR	joint retainer	piece
	7/C	laser marking	-

- ➔ Assembly/lamination dummies are included in the scope of delivery of the system joints.
- ➔ You will find an overview of our tools on catalogue page J1ff.
- ➔ You will also find the joint retainers and the corresponding laser markings in the tool case on the catalogue pages J13 and J14.

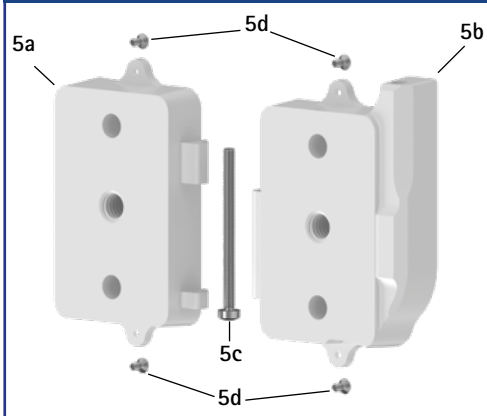
Tool Set (4)



Tool Set			
Item	Article Number for System Width 20mm	Description	Unit
4	SL3005-WZ	tool set	set
4a	WZ5018-0612	double open-end wrench 6.5mm	piece
4b	WZ5602-A13	socket wrench insert 13mm, 1/4*	piece
4c	WE3055-SL	adaptor for socket wrench insert	piece
4d	WZ5611-I20	hexagon key wrench 2mm	piece
4e	SL0935-1	shaping dummy	piece
4f	ET0935	lamination dummy for controller, two parts*	set

* The components of the lamination dummy for controller are listed in the table below.

Lamination Dummy for Controller (5)

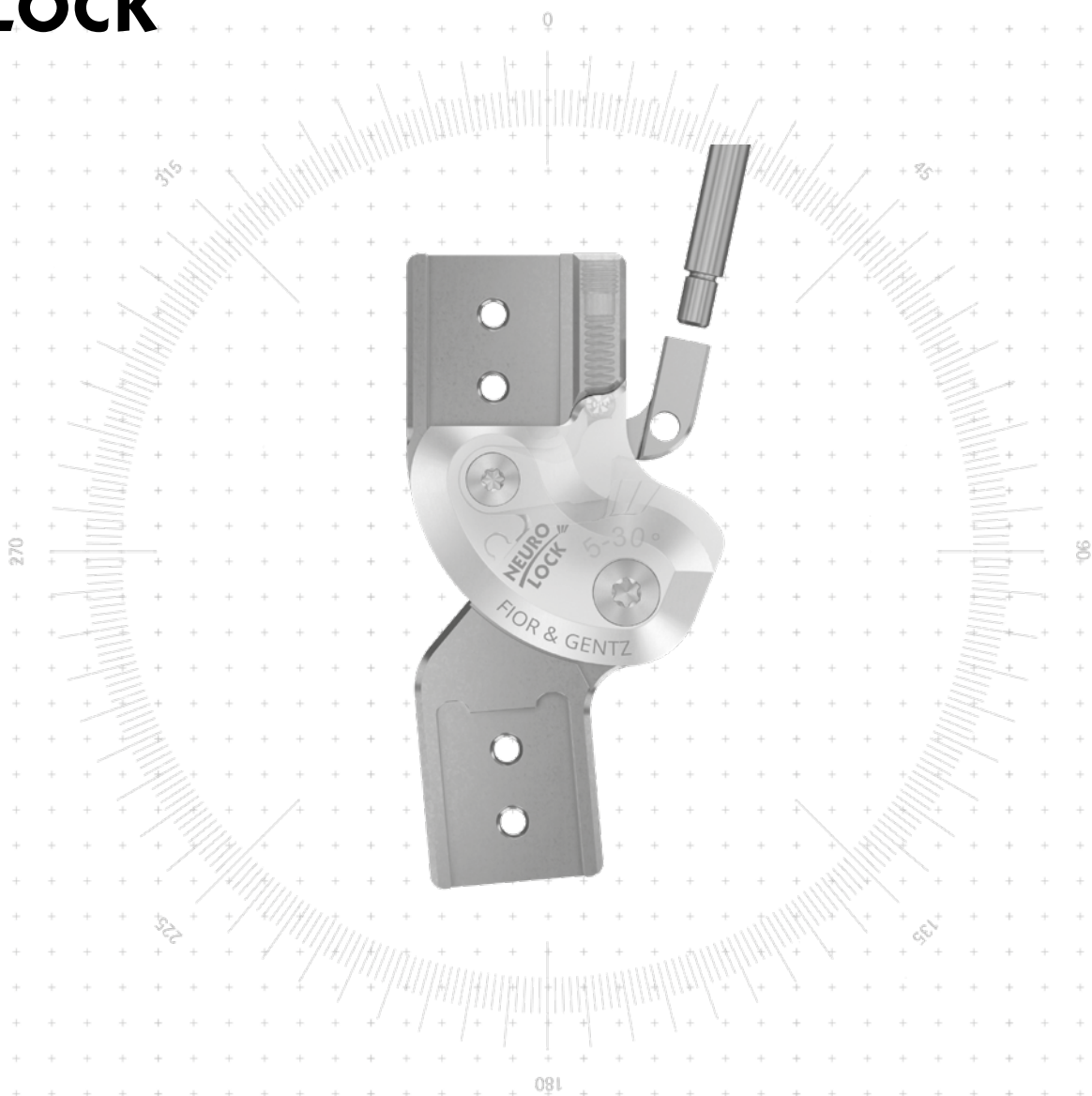


Lamination Dummy for Controller

Item	Article Number for System Width 20mm	Description	Unit
5	ET0935	lamination dummy for controller, two parts	set
5a	ET0935-1	lamination dummy for controller, battery side	piece
5b	ET0935-2	lamination dummy for controller, cable side	piece
5c	SC0403-L40	pan head screw with hexalobular socket	piece
5d	SC1302-L04	countersunk flat head screw with cross recess H	piece

→ You will find an overview of our tools on catalogue page J1ff.

NEURO LOCK






NEURO LOCK

NEURO LOCK MAX

NEURO FLEX MAX
Lock Function

NEURO FLEX MAX
Step Lock Function

NEURO LOCK Carbon

<p>Main Function</p>		<p>lock function monocentric, locked with posterior offset</p> <ul style="list-style-type: none"> - unlocking via lock lever/pulling cable - locked in 5° extension
<p>Functions for Locked System Joints</p>		<p>joint's lower part, can be adjusted by filing</p>
<p>Type of Extension Stop</p>		<p>static extension stop, exchangeable</p>
<p>Adjustment Options</p>	<p>flexion angle can be adjusted as required (0°, 10°, 20°, 30°) by exchanging the extension stop and filing the joint's lower part</p>	
<p>Alternative Function</p>	<p>free moving by demounting the locking pawl, pressure spring and ball</p>	



NEURO LOCK

NEURO LOCK MAX

NEURO FLEX MAX
Lock Function

NEURO FLEX MAX
Step Lock Function

NEURO LOCK Carbon



14mm



16mm



20mm

Joint Dimensions [mm]

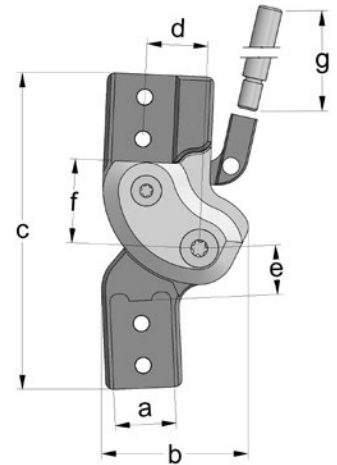
Dimension	Description	System Width a		
		14mm	16mm	20mm
b	joint head width	33	38	47
c	joint height	70	83	96
d	posterior offset*	14	16	20
e	distance pivot point – lower system case	10	13	16
f	distance pivot point – upper system case	19	22	25
g	lever length	200	200	200
	joint thickness	10	12	12

* important for the alternative function

Joint Weights** [g]

Material	Unit	System Width		
		14mm	16mm	20mm
steel	piece	64	101	150
titanium	piece	44	68	101

** without lever extension



The NEURO LOCK system knee joint is delivered with the following articles:

- pan head screw for exchanging extension stops
- orthosis joint grease, 3g
- assembly/lamination dummy
- lever extension
- connecting tube for lever extension***

*** only with system joints for left lateral or right medial

- ➔ Please order system side bars/anchors separately.
- ➔ You will find pulling cables and pulling cable adaptors on catalogue page G10.8.
- ➔ You will find system side bars/anchors on catalogue page I1ff.



straight
fig. 1



bent inwards distally
fig. 2

Straight (Fig. 1)

Material	Leg Side	Unit	Article Number for System Width		
			14mm	16mm	20mm
steel	left lateral or right medial	piece	SK5302-L/ST	SK5303-L/ST	SK5305-L/ST
	left medial or right lateral	piece	SK5302-R/ST	SK5303-R/ST	SK5305-R/ST
titanium	left lateral or right medial	piece	SK5302-L/TI	SK5303-L/TI	SK5305-L/TI
	left medial or right lateral	piece	SK5302-R/TI	SK5303-R/TI	SK5305-R/TI

Bent Inwards Distally (Fig. 2)

Material	Leg Side	Unit	Article Number for System Width		
			14mm	16mm	20mm
steel	left lateral or right medial	piece	SK5322-L/ST	SK5323-L/ST	SK5325-L/ST
	left medial or right lateral	piece	SK5322-R/ST	SK5323-R/ST	SK5325-R/ST
titanium	left lateral or right medial	piece	SK5322-L/TI	SK5323-L/TI	SK5325-L/TI
	left medial or right lateral	piece	SK5322-R/TI	SK5323-R/TI	SK5325-R/TI

NEURO LOCK

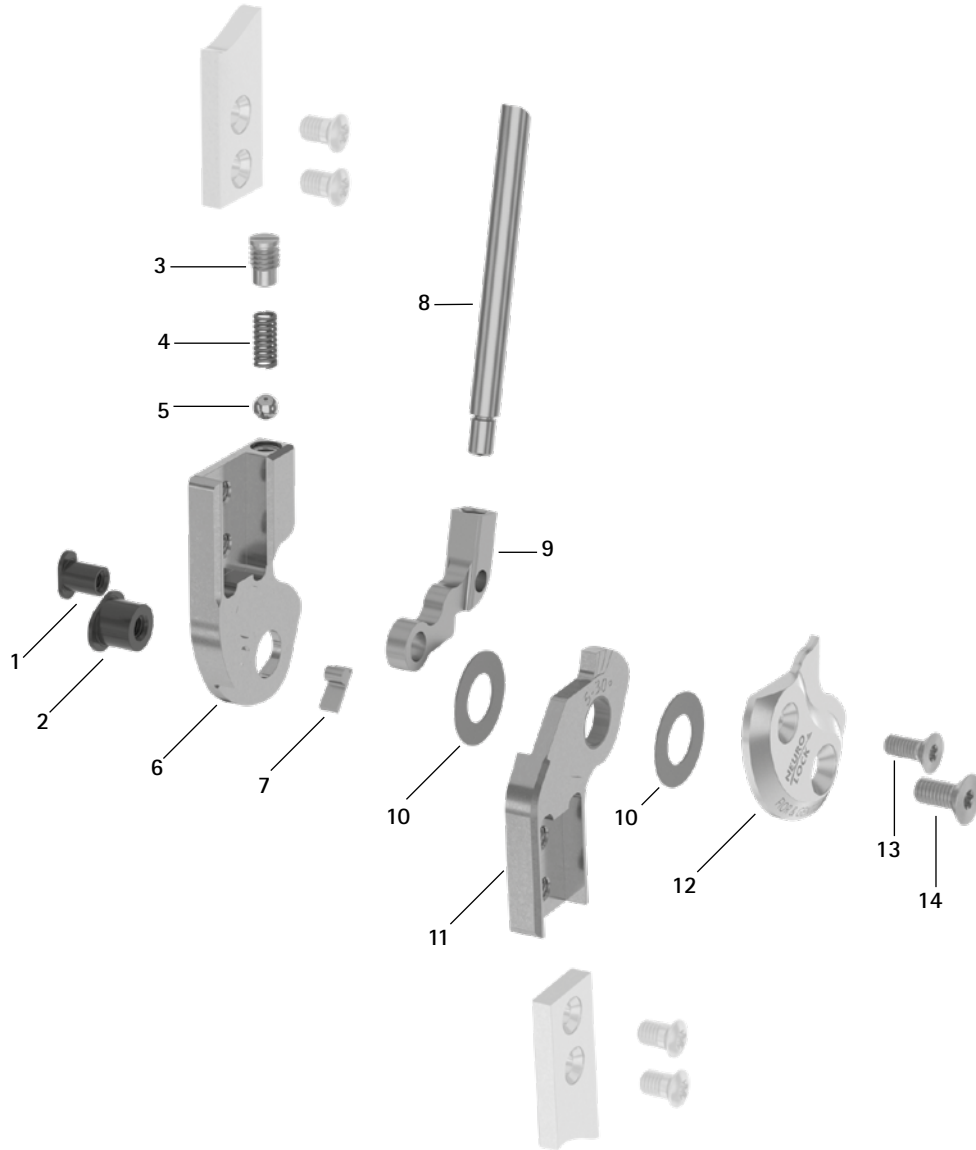
NEURO LOCK MAX

NEURO FLEX MAX
Lock Function

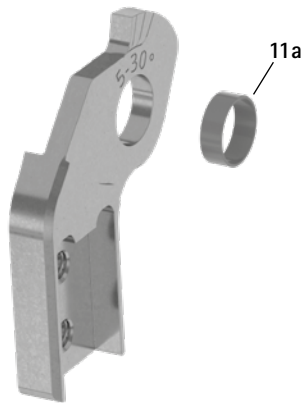
NEURO FLEX MAX
Step Lock Function

NEURO LOCK Carbon

Spare Parts



Lower Part with Sliding Bushing, Preassembled (11)



Spare Parts				
Item	Article Number for System Width			Description
	14mm	16mm	20mm	
1	SB6044-L0610	SB6044-L0750	SB6044-L0820	bearing nut (locking pawl)
2	SB8554-L0610	SB9664-L0750	SB9664-L0820	bearing nut (joint axis)
3	SC2106-L05	SC9606-L09	SC9606-L09	pressure screw
4	FE1414-02	FE1414-02	FE1414-02	pressure spring
5	KU1005-ST	KU1005-ST	KU1005-ST	ball
6	SK0402-2L/ST	SK0403-2L/ST	SK0405-2L/ST	upper part, left lateral or right medial, straight, steel
6	SK0402-2R/ST	SK0403-2R/ST	SK0405-2R/ST	upper part, left medial or right lateral, straight, steel
6	SK0402-2L/TI	SK0403-2L/TI	SK0405-2L/TI	upper part, left lateral or right medial, straight, titanium
6	SK0402-2R/TI	SK0403-2R/TI	SK0405-2R/TI	upper part, left medial or right lateral, straight, titanium
7	SK9602-E005	SK9603-E005	SK9605-E005	5° extension stop
8	SK0492-ST	SK0495-ST	SK0495-ST	lever extension
9	SK0472-*	SK0473-*	SK0475-*	locking pawl*
10	GS1609-**	GS1910-**	GS2210-**	sliding washer**
11	SK0412-2L/ST	SK0413-2L/ST	SK0415-2L/ST	5° lower part with sliding bushing, 5°-30°, left lateral or right medial, straight, steel
11	SK0412-2R/ST	SK0413-2R/ST	SK0415-2R/ST	5° lower part with sliding bushing, 5°-30°, left medial or right lateral, straight, steel
11	SK0412-2L/TI	SK0413-2L/TI	SK0415-2L/TI	5° lower part with sliding bushing, 5°-30°, left lateral or right medial, straight, titanium
11	SK0412-2R/TI	SK0413-2R/TI	SK0415-2R/TI	5° lower part with sliding bushing, 5°-30°, left medial or right lateral, straight, titanium
11	SK0432-2L/ST	SK0433-2L/ST	SK0435-2L/ST	5° lower part with sliding bushing, 5°-30°, left lateral or right medial, bent inwards, steel
11	SK0432-2R/ST	SK0433-2R/ST	SK0435-2R/ST	5° lower part with sliding bushing, 5°-30°, left medial or right lateral, bent inwards, steel
11	SK0432-2L/TI	SK0433-2L/TI	SK0435-2L/TI	5° lower part with sliding bushing, 5°-30°, left lateral or right medial, bent inwards, titanium
11	SK0432-2R/TI	SK0433-2R/TI	SK0435-2R/TI	5° lower part with sliding bushing, 5°-30°, left medial or right lateral, bent inwards, titanium
11a	BP1009-L029	BP1110-L035	BP1110-L040	sliding bushing
12	SK0452-2L/AL	SK0453-2L/AL	SK0455-2L/AL	cover plate, left lateral or right medial, aluminium
12	SK0452-2R/AL	SK0453-2R/AL	SK0455-2R/AL	cover plate, left medial or right lateral, aluminium
13	SC1404-L10	SC1404-L10	SC1404-L12	countersunk flat head screw with hexalobular socket
14	SC1405-L10	SC1405-L11	SC1405-L12	countersunk flat head screw with hexalobular socket (axle screw)
w/o fig.	SK0492-VS	SK0493-VS	SK0493-VS	connecting tube for lever extension
w/o fig.	SC0403-L08	SC0403-L10	SC0403-L10	pan head screw for exchanging extension stops

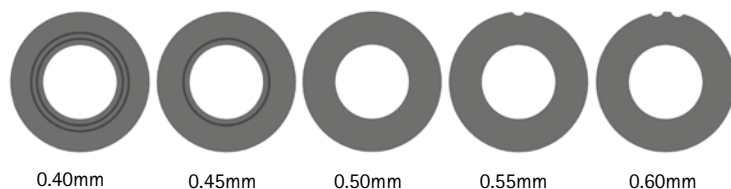
* Locking Pawls			
14mm	Article Number for System Width		
	16mm	20mm	
-	SK0473-TI038	-	
SK0472-TI050	SK0473-TI050	SK0475-TI050	
SK0472-TI063	SK0473-TI063	SK0475-TI063	
-	SK0473-TI075	SK0475-TI075	
-	SK0473-TI088	SK0475-TI088	
-	SK0473-TI100	SK0475-TI100	



The locking pawl is marked with the last three digits of the article number. The larger the number, the longer the locking pawl. Please, note and respect when reordering: Mount the next longer locking pawl if there is any play resulting from usage.

** Sliding Washers			
14mm	Article Number for System Width		
	16mm	20mm	
∅ = 16mm	∅ = 19mm	∅ = 22mm	
GS1609-040	GS1910-040	GS2210-040	
GS1609-045	GS1910-045	GS2210-045	
GS1609-050	GS1910-050	GS2210-050	
GS1609-055	GS1910-055	GS2210-055	
GS1609-060	GS1910-060	GS2210-060	

The last three digits of the article number stand for the thickness of the sliding washer, e.g. GS1609-040. The thickness of this sliding washer is 0.40mm. In total, the sliding washers are available in five different thicknesses. The thickness of a sliding washer is indicated by the markings. For example, a sliding washer with two notches is 0.40mm thick, whereas a sliding washer with one notch is 0.55mm thick.



→ You will find system side bars and system anchors on catalogue page I1ff.

NEURO LOCK

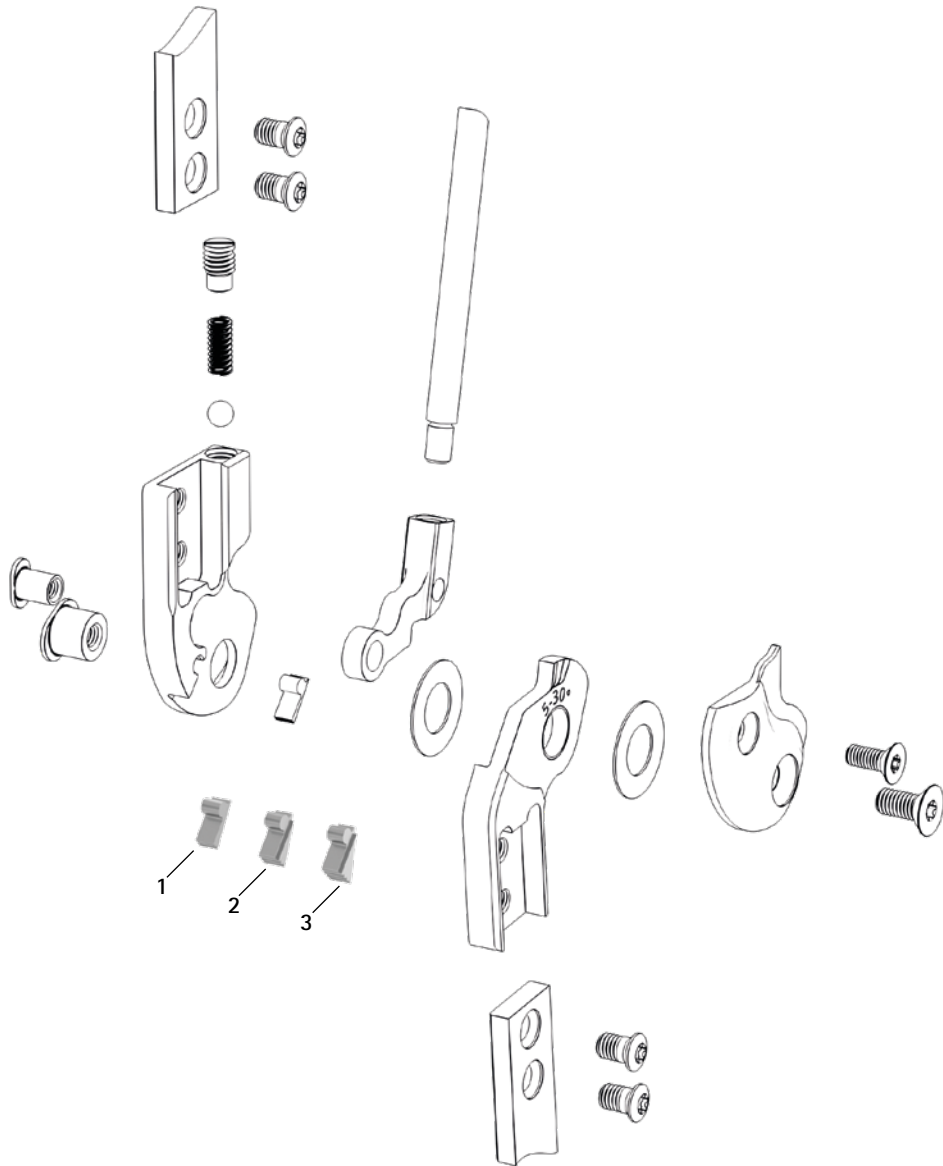
NEURO LOCK MAX

NEURO FLEX MAX
Lock Function

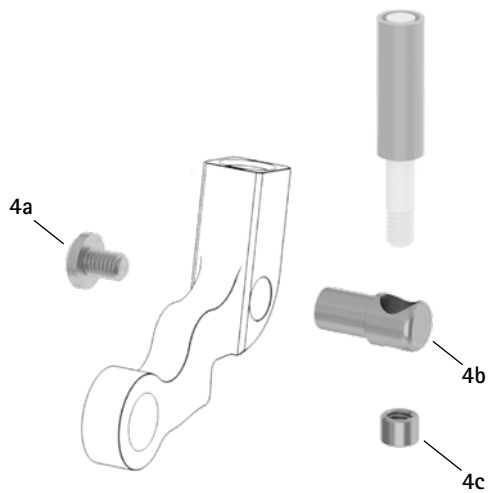
NEURO FLEX MAX
Step Lock Function

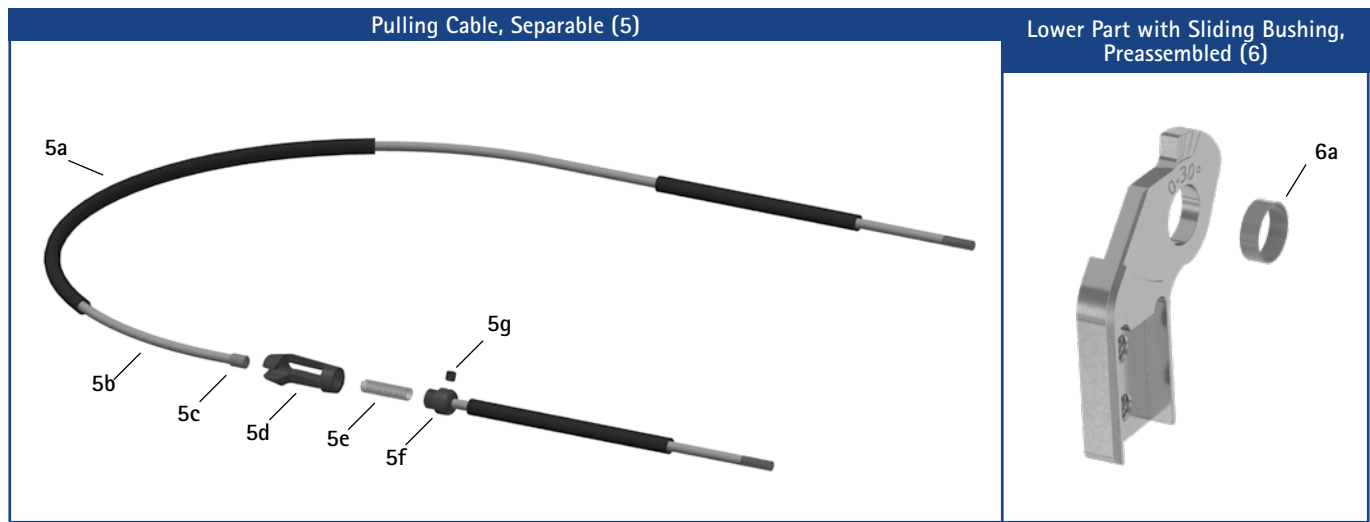
NEURO LOCK Carbon

Extension Stops



Pulling Cable Adaptor (4)





Accessory Parts				
Item	Article Number for System Width			Description
	14mm	16mm	20mm	
1	SK9602-E010	SK9603-E010	SK9605-E010	10° extension stop
2	SK9602-E020	SK9603-E020	SK9605-E020	20° extension stop
3	SK9602-E030	SK9603-E030	SK9605-E030	30° extension stop
1-3	SK9602	SK9603	SK9605	set of stops, 10°, 20°, 30° extension stops (1 of each)
4	ZS3502	ZS3503	ZS3503	pulling cable adaptor
4a	SC4303-L04	SC4303-L04	SC4303-L04	pan head screw with cross recess H
4b	ZS0324-06	ZS0324-07	ZS0324-07	pulling cable holder
4c	ZS0233	ZS0233	ZS0233	threaded sleeve
w/o fig.	ZS1000-L400*	ZS1000-L400*	ZS1000-L400*	pulling cable, nylon cable with cover, 400mm*
w/o fig.	ZS1000-L500*	ZS1000-L500*	ZS1000-L500*	pulling cable, nylon cable with cover, 500mm*
w/o fig.	ZS1000-L600*	ZS1000-L600*	ZS1000-L600*	pulling cable, nylon cable with cover, 600mm*
w/o fig.	ZS1000-L700*	ZS1000-L700*	ZS1000-L700*	pulling cable, nylon cable with cover, 700mm*
5	ZS1100-L400*	ZS1100-L400*	ZS1100-L400*	pulling cable, separable through coupler, 400mm*
5	ZS1100-L500*	ZS1100-L500*	ZS1100-L500*	pulling cable, separable through coupler, 500mm*
5a	ZS0102	ZS0102	ZS0102	cable cover, 1000mm long
5b	ZS0002	ZS0002	ZS0002	nylon cable, 1000mm long
5c	ZS0235	ZS0235	ZS0235	threaded sleeve
5d	VE0101-AL	VE0101-AL	VE0101-AL	coupler case, aluminium
5e	FE1420-01	FE1420-01	FE1420-01	pressure spring
5f	VE0102-AL	VE0102-AL	VE0102-AL	connecting screw for coupler
5g	SC9603-L03	SC9603-L03	SC9603-L03	headless pin with hexagon socket
5c-5g	VE1000-AL	VE1000-AL	VE1000-AL	coupler, aluminium
6	SK0412-L/ST	SK0413-L/ST	SK0415-L/ST	0° lower part with sliding bushing, 0°-30°, left lateral or right medial, straight, steel
6	SK0412-R/ST	SK0413-R/ST	SK0415-R/ST	0° lower part with sliding bushing, 0°-30°, left medial or right lateral, straight, steel
6	SK0412-L/TI	SK0413-L/TI	SK0415-L/TI	0° lower part with sliding bushing, 0°-30°, left lateral or right medial, straight, titanium
6	SK0412-R/TI	SK0413-R/TI	SK0415-R/TI	0° lower part with sliding bushing, 0°-30°, left medial or right lateral, straight, titanium
6	SK0432-L/ST	SK0433-L/ST	SK0435-L/ST	0° lower part with sliding bushing, 0°-30°, left lateral or right medial, bent, steel
6	SK0432-R/ST	SK0433-R/ST	SK0435-R/ST	0° lower part with sliding bushing, 0°-30°, left medial or right lateral, bent, steel
6	SK0432-L/TI	SK0433-L/TI	SK0435-L/TI	0° lower part with sliding bushing, 0°-30°, left lateral or right medial, bent, titanium
6	SK0432-R/TI	SK0433-R/TI	SK0435-R/TI	0° lower part with sliding bushing, 0°-30°, left medial or right lateral, bent, titanium
6a	BP1009-L029	BP1110-L035	BP1110-L040	sliding bushing

* You need one pulling cable adaptor for each locking pawl to mount a pulling cable on.

NEURO LOCK

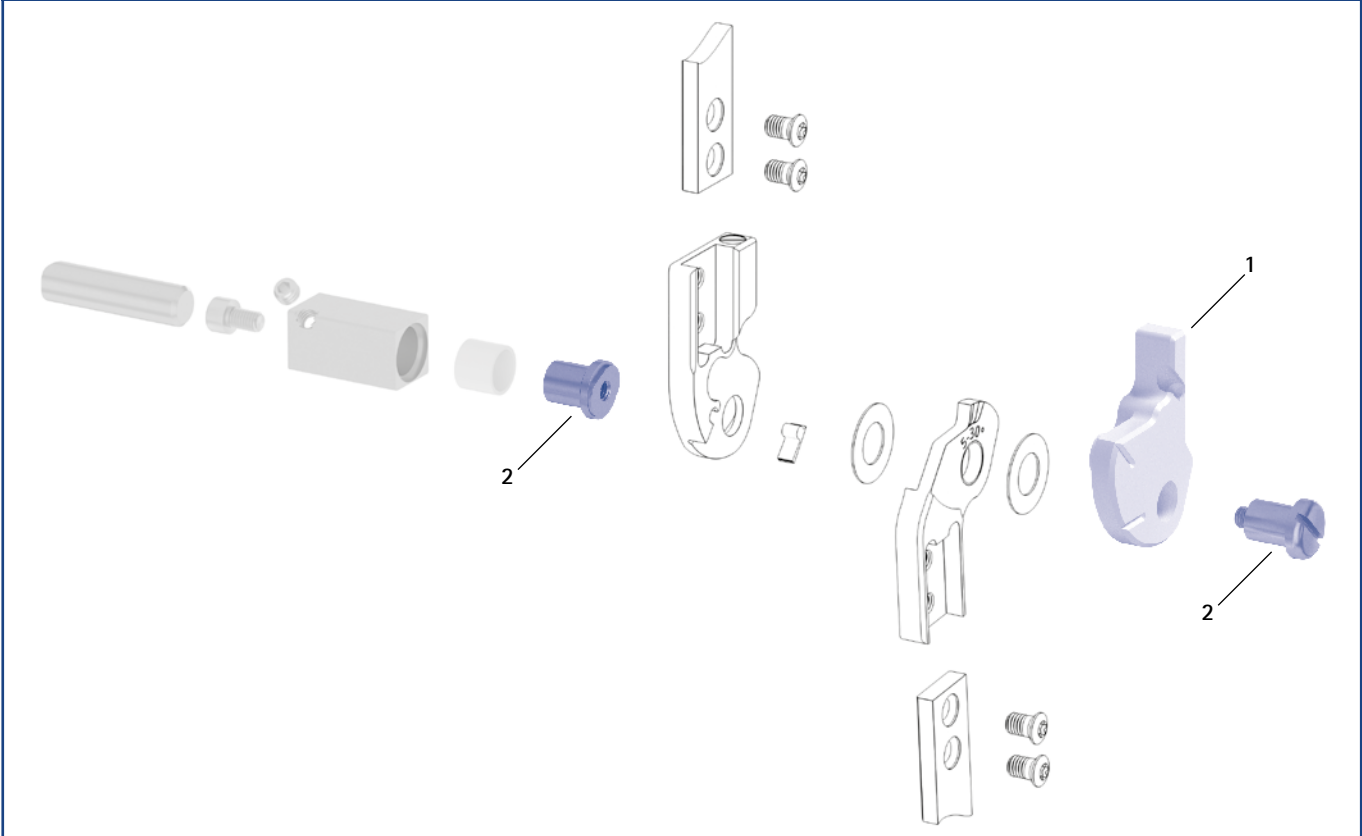
NEURO LOCK MAX

NEURO FLEX MAX
Lock Function

NEURO FLEX MAX
Step Lock Function

NEURO LOCK Carbon

Assembly/Lamination Dummies and Joint Retainers



Assembly/Lamination Dummies and Joint Retainers					
Item	Article Number for System Width			Description	Unit
	14mm	16mm	20mm		
1	SK0942-L	SK0943-L	SK0945-L	assembly/lamination dummy, left lateral or right medial	piece
1	SK0942-R	SK0943-R	SK0945-R	assembly/lamination dummy, left medial or right lateral	piece
2	PE1012-LR	PE1013-LR	PE1015-LR	joint retainer	piece
	4/B	5/C	6/C	laser marking	-

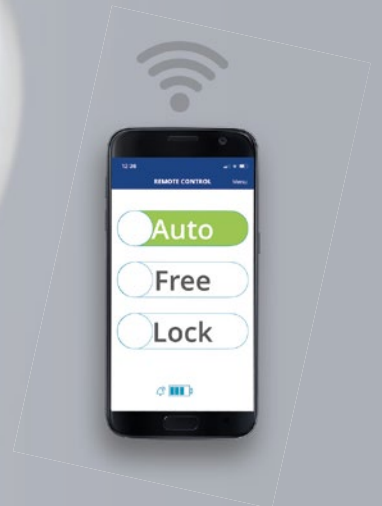
- ➔ Assembly/lamination dummies are included in the scope of delivery of the system joints.
- ➔ You will find an overview of our tools on catalogue page J1ff.
- ➔ You will also find the joint retainers and the corresponding laser markings in the tool case on the catalogue pages J13 and J14.

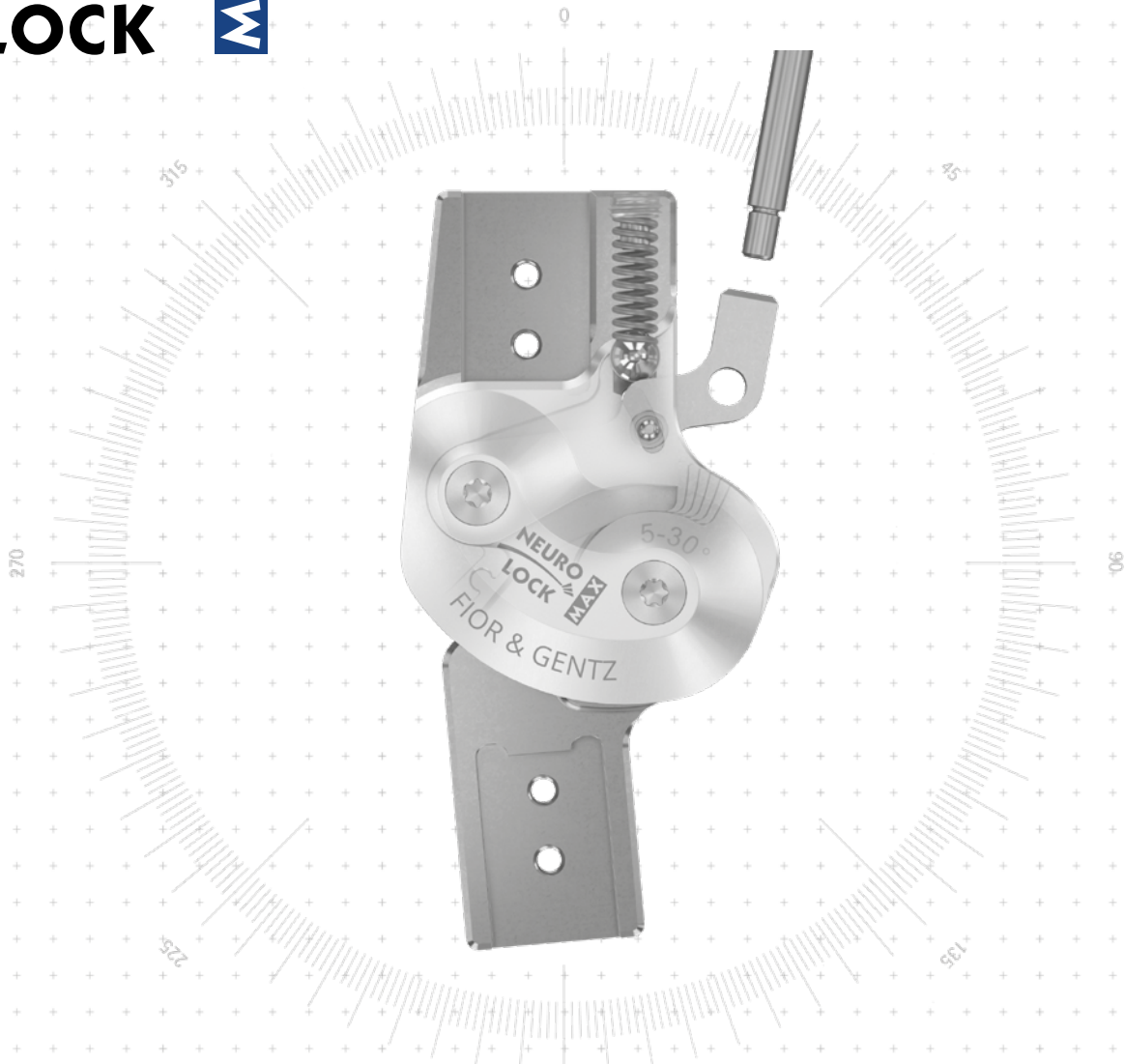
NEURO HiTRONIC –

Microhydraulic & Microprocessor Swing and Stance Phase Control



splashwater-protected
according to IP44





<p>Main Function</p>		<p>lock function monocentric, locked with posterior offset</p> <ul style="list-style-type: none"> - unlocking via lock lever/pulling cable - permanent unlocking via lock lever/pulling cable and locating pin - locked in 5° extension
<p>Functions for Locked System Joints</p>		<p>joint's lower part, can be adjusted by filing</p>
<p>Type of Extension Stop</p>		<p>static extension stop, exchangeable</p>
<p>Adjustment Options</p>	<p>flexion angle can be adjusted, as required, in a variety of ways (0°, 10°, 20°, 30°) by exchanging the extension stop and filing the joint's lower part</p>	

The NEURO VARIO system knee joint can be used as a supporting joint for the NEURO LOCK MAX system knee joint.



NEURO LOCK

NEURO LOCK MAX

NEURO FLEX MAX
Lock Function

NEURO FLEX MAX
Step Lock Function

NEURO LOCK Carbon

NEURO LOCK



12mm



14mm



16mm



20mm

NEURO LOCK MAX

Joint Dimensions [mm]

Dimension	Description	System Width a			
		12mm	14mm	16mm	20mm
b	joint head width	37	42.5	49	59
c	joint height	76	90	104	119
d	posterior offset*	12	14	16	20
e	distance pivot point – lower system case	15	17.5	21	23.5
f	distance pivot point – upper system case	21	24	27	33
g	lever length	200	200	200	200
	joint thickness	13	14	16	17.5

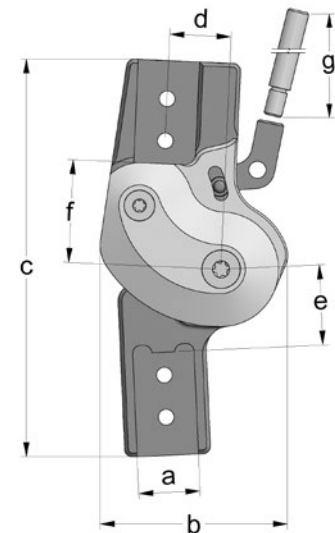
* important for the permanent unlock function

NEURO FLEX MAX
Lock Function

Joint Weights** [g]

Material	Unit	System Width			
		12mm	14mm	16mm	20mm
titanium	piece	63	95	143	238

** without lever extension



NEURO FLEX MAX
Step Lock Function

The NEURO LOCK MAX system knee joint is delivered with the following articles:

- pan head screw for exchanging extension stops
- orthosis joint grease, 3g
- assembly/lamination dummy
- lever extension
- connecting tube for lever extension***

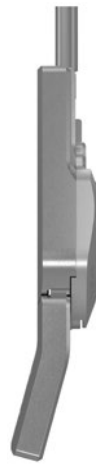
*** only with system joints for left lateral or right medial

NEURO LOCK Carbon

- ➔ Please order system side bars/anchors separately.
- ➔ You will find pulling cables on catalogue page G20.7f.
- ➔ You will find system side bars/anchors on catalogue page I1ff.



straight
fig. 1



bent inwards distally
fig. 2

Straight (Fig. 1)

Material	Leg Side	Unit	Article Number for System Width			
			12mm	14mm	16mm	20mm
titanium	left lateral or right medial	piece	SK8301-L/TI	SK8302-L/TI	SK8303-L/TI	SK8305-L/TI
	left medial or right lateral	piece	SK8301-R/TI	SK8302-R/TI	SK8303-R/TI	SK8305-R/TI

Bent Inwards Distally (Fig. 2)

Material	Leg Side	Unit	Article Number for System Width			
			12mm	14mm	16mm	20mm
titanium	left lateral or right medial	piece	SK8321-L/TI	SK8322-L/TI	SK8323-L/TI	SK8325-L/TI
	left medial or right lateral	piece	SK8321-R/TI	SK8322-R/TI	SK8323-R/TI	SK8325-R/TI

NEURO LOCK

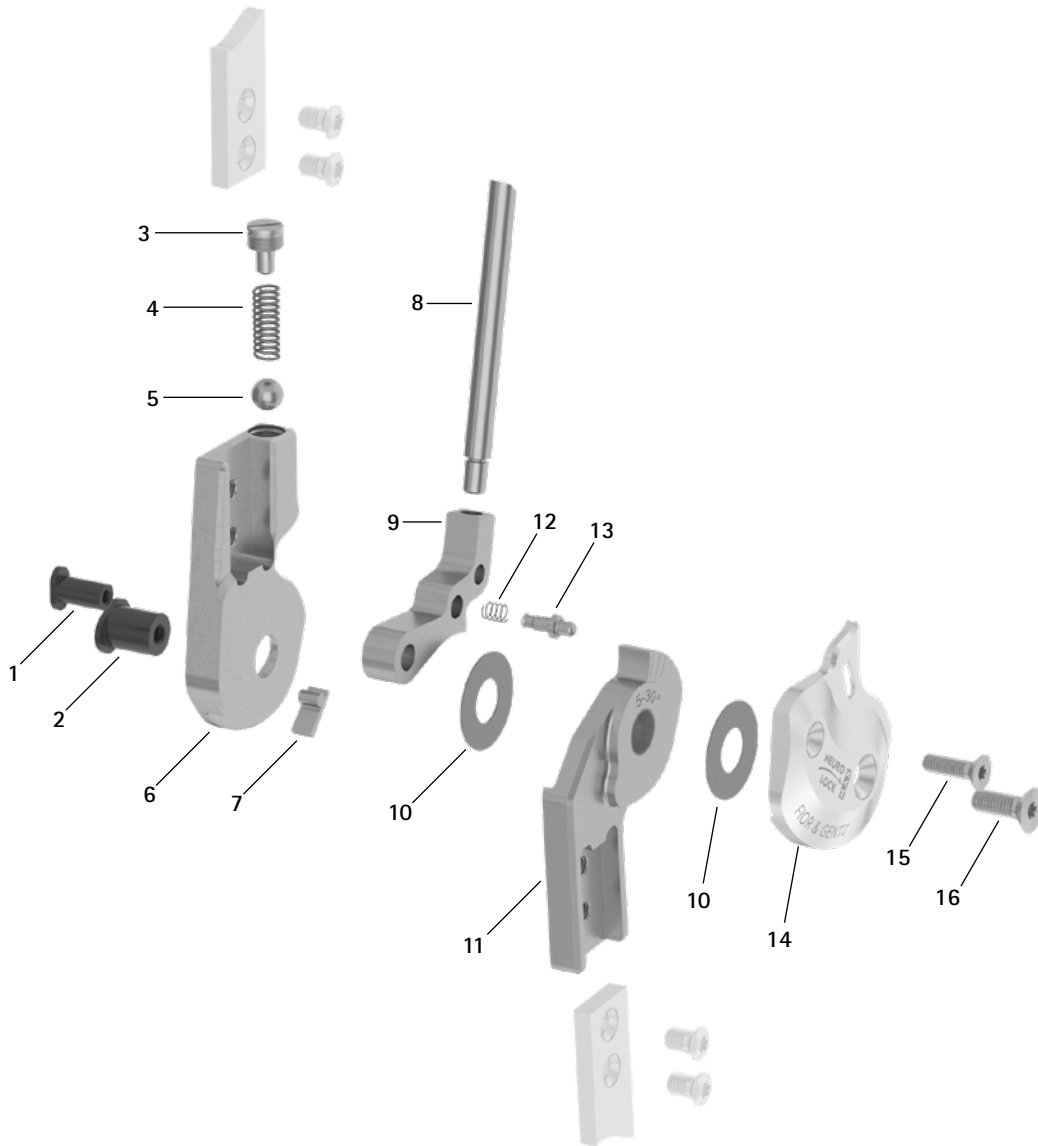
NEURO LOCK MAX

NEURO FLEX MAX
Lock Function

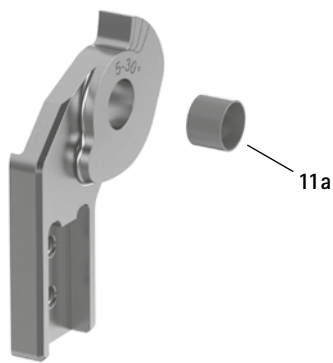
NEURO FLEX MAX
Step Lock Function

NEURO LOCK Carbon

Spare Parts



Lower Part with Sliding Bushing, Preassembled (11)



Spare Parts					
Item	Article Number for System Width				Description
	12mm	14mm	16mm	20mm	
1	SB6049-L0850	SB6049-L0950	SB6049-L1130	SB8559-L1290	bearing nut (locking pawl)
2	SB7049-L0850	SB8559-L0950	SB9669-L1130	SB1069-L1290	bearing nut (joint axis)
3	SC2106-L04	SC2107-L04	SC9608-L11	SC9609-L04/1	pressure screw
4	FE1414-01	FE1520-01	FE1527-01	FE2726-01	pressure spring
5	KU1005-ST	KU1006-ST	KU1007-ST	KU1008-ST	ball
6	SK0701-2L/TI	SK0702-2L/TI	SK0703-2L/TI	SK0705-2L/TI	upper part, left lateral or right medial, straight, titanium
6	SK0701-2R/TI	SK0702-2R/TI	SK0703-2R/TI	SK0705-2R/TI	upper part, left medial or right lateral, straight, titanium
7	SK9801-E005	SK9802-E005	SK9803-E005	SK9805-E005	5° extension stop
8	SK0492-ST	SK0492-ST	SK0495-ST	SK0495-ST	lever extension
9	SK0771-*	SK0772-*	SK0773-*	SK0775-*	locking pawl*
10	GS1807-**	GS2009-**	GS2210-**	GS2411-**	sliding washer**
11	SK0811-2L/TI	SK0812-2L/TI	SK0813-2L/TI	SK0815-2L/TI	5° lower part with sliding bushing, 5°-30°, left lateral or right medial, straight, titanium
11	SK0811-2R/TI	SK0812-2R/TI	SK0813-2R/TI	SK0815-2R/TI	5° lower part with sliding bushing, 5°-30°, left medial or right lateral, straight, titanium
11	SK0831-2L/TI	SK0832-2L/TI	SK0833-2L/TI	SK0835-2L/TI	5° lower part with sliding bushing, 5°-30°, left lateral or right medial, bent inwards, titanium
11	SK0831-2R/TI	SK0832-2R/TI	SK0833-2R/TI	SK0835-2R/TI	5° lower part with sliding bushing, 5°-30°, left medial or right lateral, bent inwards, titanium
11a	BP0807-L056	BP1009-L065	BP1110-L078	BP1211-L090	sliding bushing
12	FE1407-01	FE1411-02	FE1411-02	FE1411-02	pressure spring
13	SK0771-20	SK0772-20	SK0773-20	SK0775-20	locating pin for adjusting the permanent unlock function
14	SK0861-2L/AL	SK0862-2L/AL	SK0863-2L/AL	SK0865-2L/AL	cover plate, left lateral or right medial, aluminium
14	SK0861-2R/AL	SK0862-2R/AL	SK0863-2R/AL	SK0865-2R/AL	cover plate, left medial or right lateral, aluminium
15	SC1404-L12	SC1404-L12	SC1404-L14	SC1405-L14	countersunk flat head screw with hexalobular socket
16	SC1404-L12	SC1405-L12	SC1405-L14	SC1406-L14	countersunk flat head screw with hexalobular socket (axle screw)
w/o fig.	SK0492-VS	SK0492-VS	SK0493-VS	SK0493-VS	connecting tube for lever extension
w/o fig.	SC0403-L08	SC0403-L08	SC0403-L10	SC0403-L10	pan head screw for exchanging extension stops

* Locking Pawls				
12mm	Article Number for System Width			20mm
	14mm	16mm	18mm	
SK0771-L/025	-	-	-	SK0775-L/025
SK0771-L/038	SK0772-L/038	SK0773-L/038	-	SK0775-L/038
SK0771-L/044	-	-	-	SK0775-L/044
SK0771-L/050	SK0772-L/050	SK0773-L/050	-	SK0775-L/050
-	SK0772-L/056	SK0773-L/056	-	SK0775-L/056
SK0771-L/063	SK0772-L/063	SK0773-L/063	-	SK0775-L/063
-	SK0772-L/069	SK0773-L/069	-	-
-	SK0772-L/075	SK0773-L/075	-	SK0775-L/075
-	SK0772-L/088	SK0773-L/088	-	SK0775-L/088
-	SK0772-L/100	SK0773-L/100	-	-

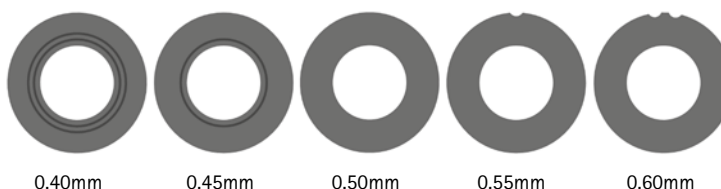
The locking pawl is marked with the last three digits of the article number. The larger the number, the longer the locking pawl. Please, note and respect when reordering: Mount the next longer locking pawl if there is any play resulting from usage.



If you need a locking pawl for right lateral or left medial as opposed to a locking pawl for left lateral or right medial listed here, you have to replace the L in the article number with an R. *Example: SK0775-R/025.*

** Sliding Washers				
12mm	Article Number for System Width			20mm
	14mm	16mm	18mm	
∅ = 18mm	∅ = 20mm	∅ = 22mm	∅ = 24mm	
GS1807-040	GS2009-040	GS2210-040	GS2411-040	
GS1807-045	GS2009-045	GS2210-045	GS2411-045	
GS1807-050	GS2009-050	GS2210-050	GS2411-050	
GS1807-055	GS2009-055	GS2210-055	GS2411-055	
GS1807-060	GS2009-060	GS2210-060	GS2411-060	

The last three digits of the article number stand for the thickness of the sliding washer, e.g. GS1807-040. The thickness of this sliding washer is 0.40mm. In total, the sliding washers are available in five different thicknesses. The thickness of a sliding washer is indicated by the markings. For example, a sliding washer with two notches is 0.40mm thick, whereas a sliding washer with one notch is 0.55mm thick.

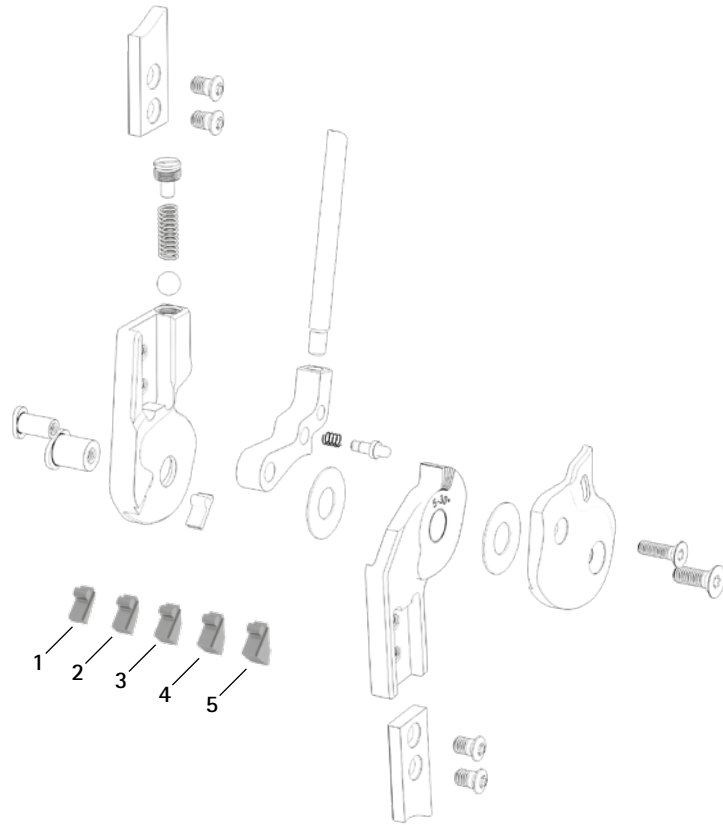


➔ You will find system side bars and system anchors on catalogue page I1ff.

NEURO LOCK

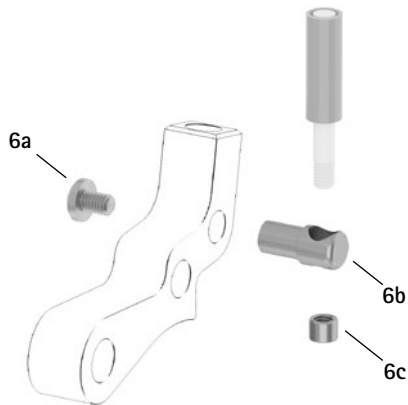
NEURO LOCK MAX

Extension Stops

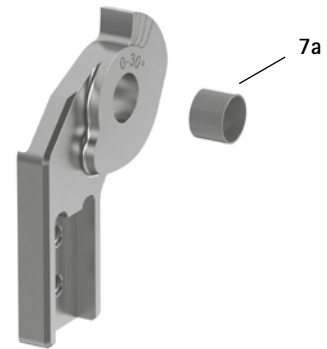


NEURO FLEX MAX
Lock Function

Pulling Cable Adaptor (6)

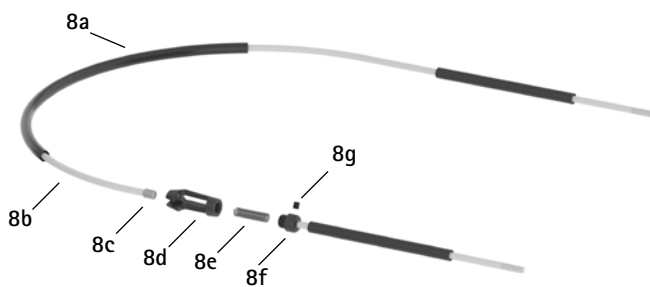


Lower Part with Sliding Bushing, Preassembled (7)

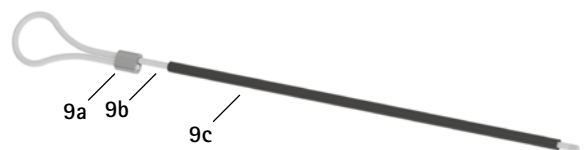


NEURO FLEX MAX
Step Lock Function

Pulling Cable, Separable (8)



Pulling Cable, Unilateral (9)



NEURO LOCK Carbon

Accessory Parts					
Item	Article Number for System Width				Description
	12mm	14mm	16mm	20mm	
1	SK9801-E010	SK9802-E010	SK9803-E010	SK9805-E010	10° extension stop
2	SK9801-E015	SK9802-E015	SK9803-E015	SK9805-E015	15° extension stop
3	SK9801-E020	SK9802-E020	SK9803-E020	SK9805-E020	20° extension stop
4	SK9801-E025	SK9802-E025	SK9803-E025	SK9805-E025	25° extension stop
5	SK9801-E030	SK9802-E030	SK9803-E030	SK9805-E030	30° extension stop
6	ZS3701	ZS3702	ZS3703	ZS3705	pulling cable adaptor
6a	SC4303-L04	SC4303-L04	SC4303-L04	SC4304-L08	pan head screw with cross recess H
6b	ZS0324-06	ZS0324-07	ZS0324-08	ZS0326-10	pulling cable holder
6c	ZS0233	ZS0233	ZS0233	ZS0235	threaded sleeve
w/o fig.	ZS1000-L400*	ZS1000-L400*	ZS1000-L400*	ZS1000-L400*	pulling cable, nylon cable with cover, 400mm*
w/o fig.	ZS1000-L500*	ZS1000-L500*	ZS1000-L500*	ZS1000-L500*	pulling cable, nylon cable with cover, 500mm*
w/o fig.	ZS1000-L600*	ZS1000-L600*	ZS1000-L600*	ZS1000-L600*	pulling cable, nylon cable with cover, 600mm*
w/o fig.	ZS1000-L700*	ZS1000-L700*	ZS1000-L700*	ZS1000-L700*	pulling cable, nylon cable with cover, 700mm*
7	SK0811-L/TI	SK0812-L/TI	SK0813-L/TI	SK0815-L/TI	0° lower part with sliding bushing, 0°-30°, left lateral or right medial, straight, titanium
7	SK0811-R/TI	SK0812-R/TI	SK0813-R/TI	SK0815-R/TI	0° lower part with sliding bushing, 0°-30°, left medial or right lateral, straight, titanium
7	SK0831-L/TI	SK0832-L/TI	SK0833-L/TI	SK0835-L/TI	0° lower part with sliding bushing, 0°-30°, left lateral or right medial, bent inwards, titanium
7	SK0831-R/TI	SK0832-R/TI	SK0833-R/TI	SK0835-R/TI	0° lower part with sliding bushing, 0°-30°, left medial or right lateral, bent inwards, titanium
7a	BP0807-L056	BP1009-L065	BP1110-L078	BP1211-L090	sliding bushing
8	ZS1100-L400*	ZS1100-L400*	ZS1100-L400*	ZS1100-L400*	pulling cable, separable through coupler, 400mm*
8	ZS1100-L500*	ZS1100-L500*	ZS1100-L500*	ZS1100-L500*	pulling cable, separable through coupler, 500mm*
8a	ZS0102	ZS0102	ZS0102	ZS0102	cable cover, 1000mm long
8b	ZS0002	ZS0002	ZS0002	ZS0002	nylon cable, 1000mm long
8c	ZS0235	ZS0235	ZS0235	ZS0235	threaded sleeve
8d	VE0101-AL	VE0101-AL	VE0101-AL	VE0101-AL	coupler case, aluminium
8e	FE1420-01	FE1420-01	FE1420-01	FE1420-01	pressure spring
8f	VE0102-AL	VE0102-AL	VE0102-AL	VE0102-AL	connecting screw for coupler
8g	SC9603-L03	SC9603-L03	SC9603-L03	SC9603-L03	headless pin with hexagon socket
8c-8g	VE1000-AL	VE1000-AL	VE1000-AL	VE1000-AL	coupler, aluminium
9	ZS1400-L600*	ZS1400-L600*	ZS1400-L600*	ZS1400-L600*	pulling cable with ferrule for unilateral lock, nylon cable with cover, 600mm long*
9a	ZS0403-AL	ZS0403-AL	ZS0403-AL	ZS0403-AL	ferrule for 3mm nylon cable, aluminium
9b	ZS0001-L600	ZS0001-L600	ZS0001-L600	ZS0001-L600	nylon cable with thread
9c	ZS0102-L500	ZS0102-L500	ZS0102-L500	ZS0102-L500	cable cover, 500mm long

* You need one pulling cable adaptor for each locking pawl to mount a pulling cable on.

NEURO LOCK

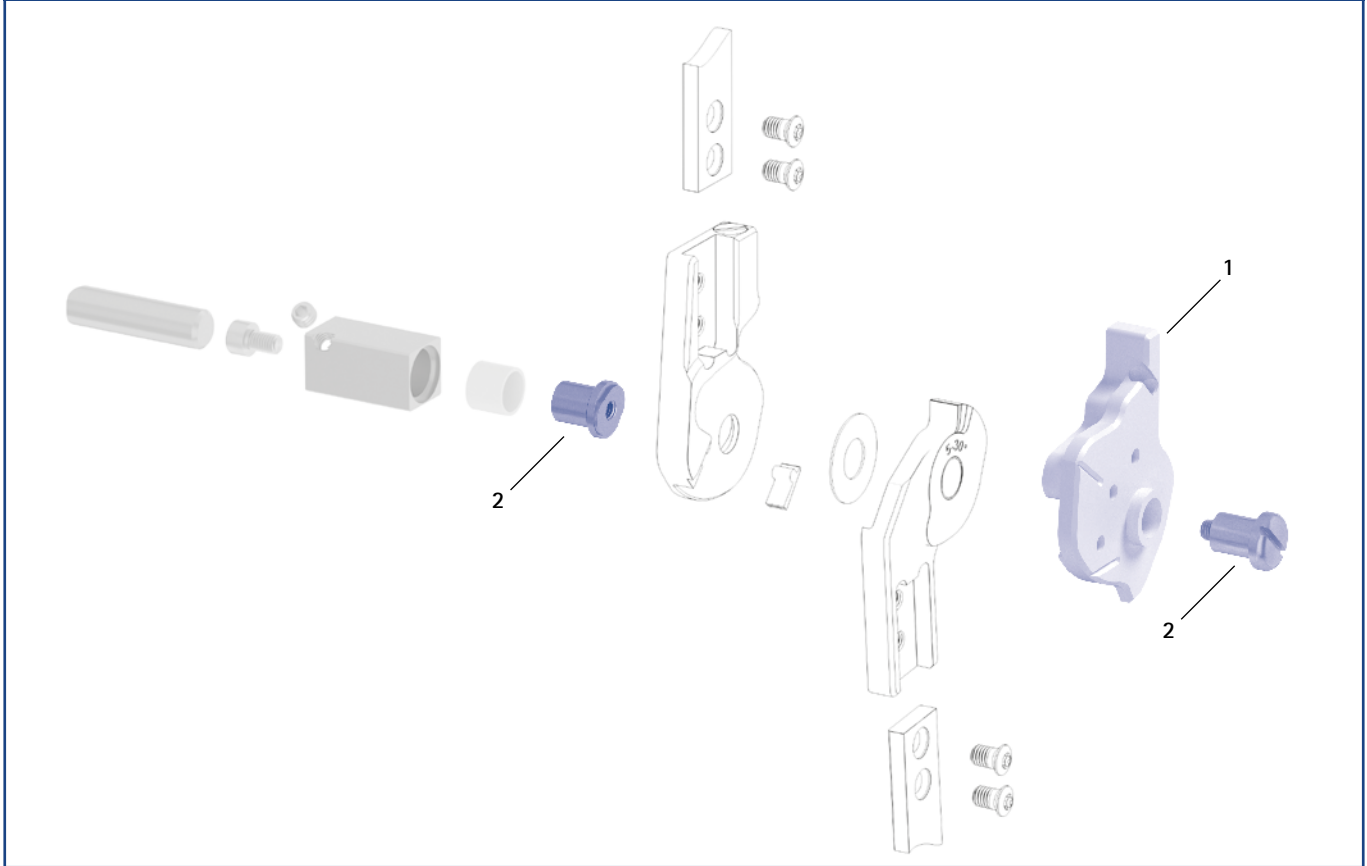
NEURO LOCK MAX

NEURO FLEX MAX
Lock Function

NEURO FLEX MAX
Step Lock Function

NEURO LOCK Carbon

Assembly/Lamination Dummies and Joint Retainers



Assembly/Lamination Dummies and Joint Retainers						
Item	Article Number for System Width				Description	Unit
	12mm	14mm	16mm	20mm		
1	SK0971-L	SK0972-L	SK0973-L	SK0975-L	assembly/lamination dummy, left lateral or right medial	piece
1	SK0971-R	SK0972-R	SK0973-R	SK0975-R	assembly/lamination dummy, left medial or right lateral	piece
2	PE1121-LR	PE1122-LR	PE1123-LR	PE1125-LR	joint retainer	piece
	2/A	10/B	9/C	8/C	laser marking	-

- ➔ Assembly/lamination dummies are included in the scope of delivery of the system joints.
- ➔ You will find an overview of our tools on catalogue page J1ff.
- ➔ You will also find the joint retainers and the corresponding laser markings in the tool case on the catalogue pages J13 and J14.

Orthosis Shoes. Different.

FIOR & GENTZ
ORTHOPÄDIETECHNIK MIT SYSTEM

PARKSTREET



*with heelless
rubber outsole*



*with heelless
rubber outsole*

URBANSTREET

Style and Function for Everyday Life.

The PARKSTREET and URBANSTREET orthosis shoe is the result of years of experience, which we gained during the construction of custom-made orthoses. The requirements and demands for an orthosis shoe of people wearing orthoses were the main focus. A unisex shoe that not only differs from conventional orthosis shoes in its extraordinary design features, but also in its modern style. Casual through everyday life – the original with the boomerang.

Shoe Measurements		Use	Size	32-48
pitch*	0mm	h-Cast	Material	sturdy fabric made of densely woven cotton – durable, easy to clean, guarantees a carefree use in everyday life
heel height**	14mm	Orthosis Configurator		

* The height of the pitch corresponds to the height of the h-Cast plate to be used in the physical examination.

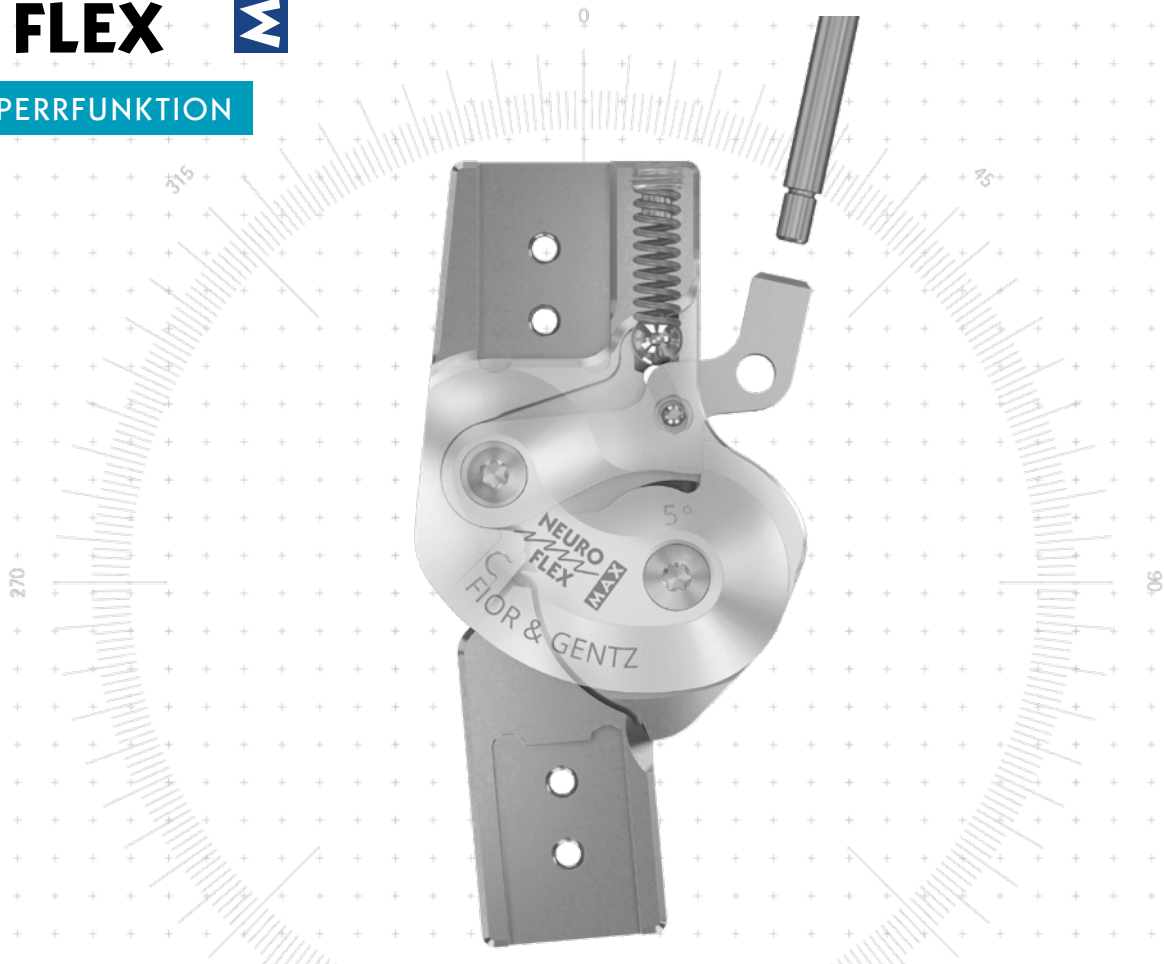
** The heel height is used in the Orthosis Configurator as part of the calculation basis.

All orthosis shoes are sold in pairs for each shoe size.

You will find PARKSTREET orthosis shoes on catalogue page L20.1f.
You will find URBANSTREET orthosis shoes on catalogue page L30.1f.

NEURO FLEX MAX

SPERRFUNKTION



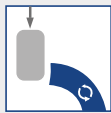
Main Function



lock function
monocentric, locked with posterior offset

- unlocking via lock lever/pulling cable
- permanent unlocking via lock lever/pulling cable and locating pin
- locked in 5°/10°/15°/20°/25°/30° extension

Functions for Locked System Joints



exchangeable flexion stop disc/exchangeable, fileable flexion stop disc (alternative function)

Type of Extension Stop



static extension stop, exchangeable

Adjustment Options

flexion angle can be adjusted as required (0°, 10°, 15°, 20°, 25°, 30°) by exchanging the extension stop and the flexion stop disc or filing the flexion stop disc (alternative function)

Alternative Function

limitation of the maximum knee flexion angle (50°–90°) in 10° steps by mounting the flexion stop disc AF and the cover plate AF as well as filing the flexion stop disc AF at the second stop if necessary (different flexion angles are possible by exchanging the extension stop and filing the flexion stop disc AF at the first stop)

The NEURO FLEX MAX system knee joint with lock function can be converted into the NEURO FLEX MAX system knee joint with step lock function by exchanging the locking pawl and flexion stop disc for the step lock pawl and step lock stop disc.

The NEURO VARIO system knee joint can be used as a supporting joint for the NEURO FLEX MAX system knee joint with lock function.



NEURO LOCK

NEURO LOCK MAX

NEURO FLEX MAX
Lock Function

NEURO FLEX MAX
Step Lock Function

NEURO LOCK Carbon

System Knee Joints NEURO FLEX MAX Lock Function

NEURO LOCK

NEURO LOCK MAX



12mm



14mm



16mm



20mm

Joint Dimensions [mm]

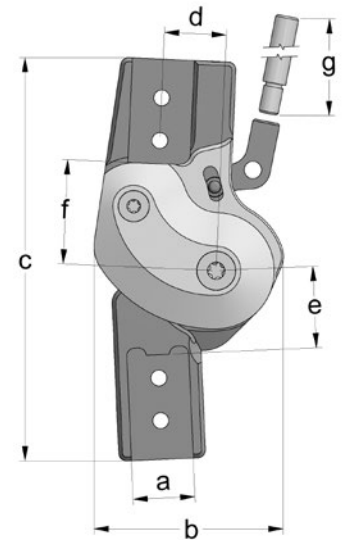
Dimension	Description	System Width a			
		12mm	14mm	16mm	20mm
b	joint head width	37	42.5	49	59
c	joint height	76	90	104	119
d	posterior offset*	12	14	16	20
e	distance pivot point – lower system case	15	17.5	21	23.5
f	distance pivot point – upper system case	21	24	27	33
g	lever length	200	200	200	200
	joint thickness	13	14	16	17.5

* important for the permanent unlock function

Joint Weights** [g]

Material	Unit	System Width			
		12mm	14mm	16mm	20mm
titanium	piece	59	88	136	221

** without lever extension



The NEURO FLEX MAX system knee joint with lock function is delivered with the following articles:

- pan head screw for exchanging extension stops
- orthosis joint grease, 3g
- assembly/lamination dummy
- lever extension
- connecting tube for lever extension***

*** only with system joints for left lateral or right medial

- ➔ Please order system side bars/anchors separately.
- ➔ You will find pulling cables and pulling cable adaptors on catalogue page G30.7f.
- ➔ You will find system side bars/anchors on catalogue page I1ff.

G30.3

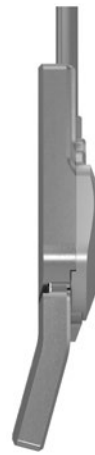
NEURO LOCK Carbon

NEURO FLEX MAX Lock Function

NEURO FLEX MAX Step Lock Function



straight
fig. 1



bent inwards distally
fig. 2

Straight (Fig. 1), Stock Goods

Material	Degree	Leg Side	Unit	Article Number for System Width			
				12mm	14mm	16mm	20mm
titanium	5°	left lateral or right medial	piece	SK7301-L/TI	SK7302-L/TI	SK7303-L/TI	SK7305-L/TI
		left medial or right lateral	piece	SK7301-R/TI	SK7302-R/TI	SK7303-R/TI	SK7305-R/TI

Straight (Fig. 1), Special Production, Assembled after Order:

titanium	10°	left lateral or right medial	piece	SK7301-L/TI/10	SK7302-L/TI/10	SK7303-L/TI/10	SK7305-L/TI/10
		left medial or right lateral	piece	SK7301-R/TI/10	SK7302-R/TI/10	SK7303-R/TI/10	SK7305-R/TI/10
titanium	15°	left lateral or right medial	piece	SK7301-L/TI/15	SK7302-L/TI/15	SK7303-L/TI/15	SK7305-L/TI/15
		left medial or right lateral	piece	SK7301-R/TI/15	SK7302-R/TI/15	SK7303-R/TI/15	SK7305-R/TI/15
titanium	20°	left lateral or right medial	piece	SK7301-L/TI/20	SK7302-L/TI/20	SK7303-L/TI/20	SK7305-L/TI/20
		left medial or right lateral	piece	SK7301-R/TI/20	SK7302-R/TI/20	SK7303-R/TI/20	SK7305-R/TI/20
titanium	25°	left lateral or right medial	piece	SK7301-L/TI/25	SK7302-L/TI/25	SK7303-L/TI/25	SK7305-L/TI/25
		left medial or right lateral	piece	SK7301-R/TI/25	SK7302-R/TI/25	SK7303-R/TI/25	SK7305-R/TI/25
titanium	30°	left lateral or right medial	piece	SK7301-L/TI/30	SK7302-L/TI/30	SK7303-L/TI/30	SK7305-L/TI/30
		left medial or right lateral	piece	SK7301-R/TI/30	SK7302-R/TI/30	SK7303-R/TI/30	SK7305-R/TI/30

Bent Inwards Distally (Fig. 2), Stock Goods

Material	Degree	Leg Side	Unit	Article Number for System Width			
				12mm	14mm	16mm	20mm
titanium	5°	left lateral or right medial	piece	SK7321-L/TI	SK7322-L/TI	SK7323-L/TI	SK7325-L/TI
		left medial or right lateral	piece	SK7321-R/TI	SK7322-R/TI	SK7323-R/TI	SK7325-R/TI

Bent Inwards Distally (Fig. 2), Special Production, Assembled after Order:

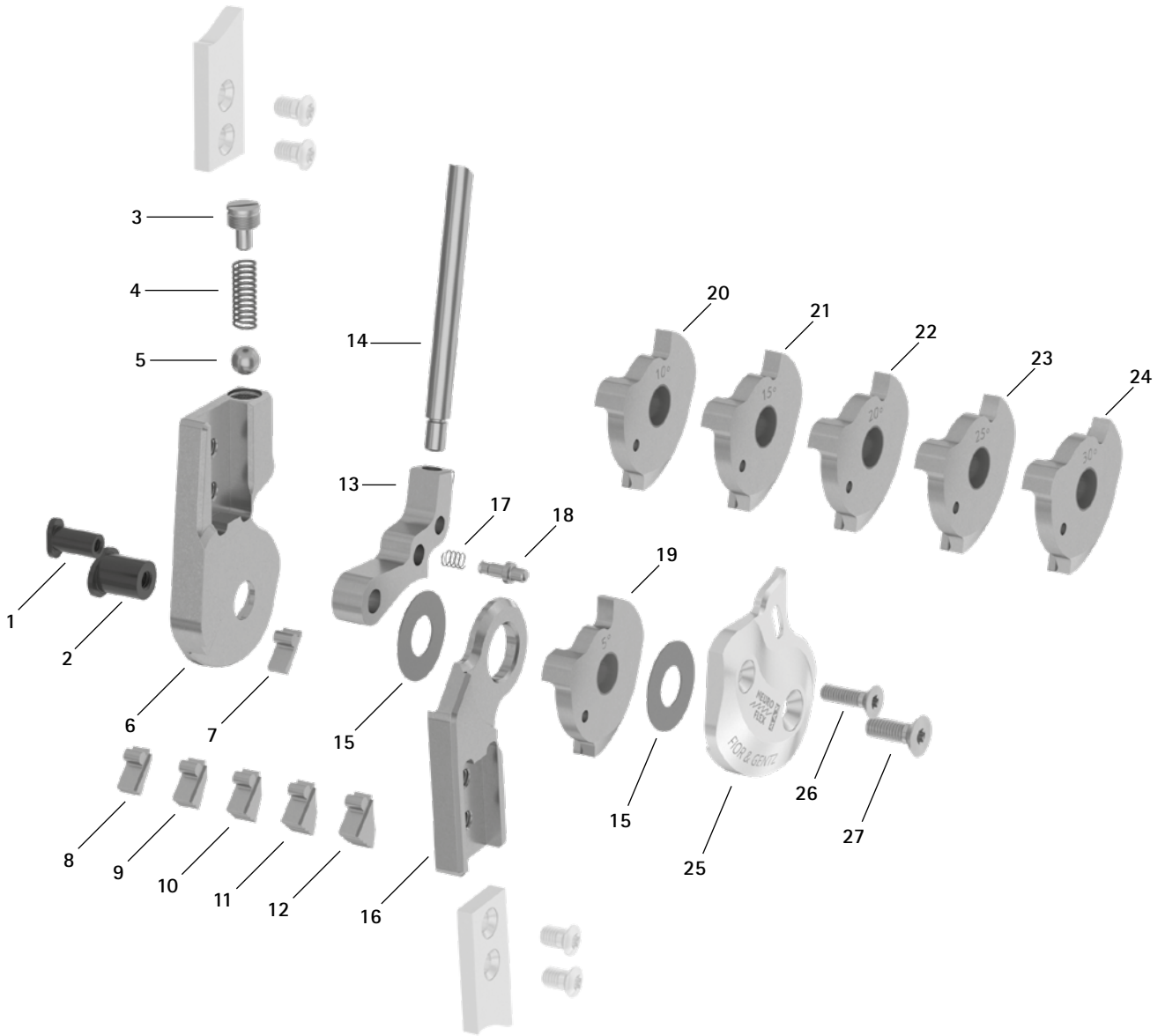
titanium	10°	left lateral or right medial	piece	SK7321-L/TI/10	SK7322-L/TI/10	SK7323-L/TI/10	SK7325-L/TI/10
		left medial or right lateral	piece	SK7321-R/TI/10	SK7322-R/TI/10	SK7323-R/TI/10	SK7325-R/TI/10
titanium	15°	left lateral or right medial	piece	SK7321-L/TI/15	SK7322-L/TI/15	SK7323-L/TI/15	SK7325-L/TI/15
		left medial or right lateral	piece	SK7321-R/TI/15	SK7322-R/TI/15	SK7323-R/TI/15	SK7325-R/TI/15
titanium	20°	left lateral or right medial	piece	SK7321-L/TI/20	SK7322-L/TI/20	SK7323-L/TI/20	SK7325-L/TI/20
		left medial or right lateral	piece	SK7321-R/TI/20	SK7322-R/TI/20	SK7323-R/TI/20	SK7325-R/TI/20
titanium	25°	left lateral or right medial	piece	SK7321-L/TI/25	SK7322-L/TI/25	SK7323-L/TI/25	SK7325-L/TI/25
		left medial or right lateral	piece	SK7321-R/TI/25	SK7322-R/TI/25	SK7323-R/TI/25	SK7325-R/TI/25
titanium	30°	left lateral or right medial	piece	SK7321-L/TI/30	SK7322-L/TI/30	SK7323-L/TI/30	SK7325-L/TI/30
		left medial or right lateral	piece	SK7321-R/TI/30	SK7322-R/TI/30	SK7323-R/TI/30	SK7325-R/TI/30

NEURO LOCK

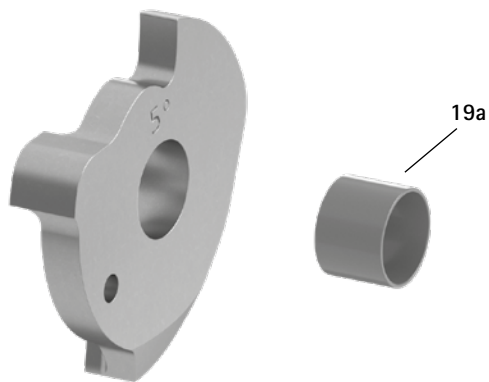
NEURO LOCK MAX

NEURO FLEX MAX
Lock Function

Spare Parts



Flexion Stop Disc with Sliding Bushing, Preassembled (19)



NEURO FLEX MAX
Step Lock Function

NEURO LOCK Carbon

Spare Parts					
Item	Article Number for System Width				Description
	12mm	14mm	16mm	20mm	
1	SB6049-L0850	SB6049-L0950	SB6049-L1130	SB8559-L1290	bearing nut (locking pawl)
2	SB7049-L0850	SB8559-L0950	SB9669-L1130	SB1069-L1290	bearing nut (joint axis)
3	SC2106-L04	SC2107-L04	SC9608-L11	SC9609-L04/1	pressure screw
4	FE1414-01	FE1520-01	FE1527-01	FE2726-01	coil spring
5	KU1005-ST	KU1006-ST	KU1007-ST	KU1008-ST	ball
6	SK0701-2L/TI	SK0702-2L/TI	SK0703-2L/TI	SK0705-2L/TI	upper part, left lateral or right medial, straight, titanium
6	SK0701-2R/TI	SK0702-2R/TI	SK0703-2R/TI	SK0705-2R/TI	upper part, left medial or right lateral, straight, titanium
7	SK9801-E005	SK9802-E005	SK9803-E005	SK9805-E005	5° extension stop
8	SK9801-E010	SK9802-E010	SK9803-E010	SK9805-E010	10° extension stop
9	SK9801-E015	SK9802-E015	SK9803-E015	SK9805-E015	15° extension stop
10	SK9801-E020	SK9802-E020	SK9803-E020	SK9805-E020	20° extension stop
11	SK9801-E025	SK9802-E025	SK9803-E025	SK9805-E025	25° extension stop
12	SK9801-E030	SK9802-E030	SK9803-E030	SK9805-E030	30° extension stop
13	SK0771-*	SK0772-*	SK0773-*	SK0775-*	locking pawl*
14	SK0492-ST	SK0492-ST	SK0495-ST	SK0495-ST	lever extension
15	GS1807-**	GS2009-**	GS2210-**	GS2411-**	sliding washer**
16	SK0711-L/TI	SK0712-L/TI	SK0713-L/TI	SK0715-L/TI	lower part, left lateral or right medial, straight, titanium
16	SK0711-R/TI	SK0712-R/TI	SK0713-R/TI	SK0715-R/TI	lower part, left medial or right lateral, straight, titanium
16	SK0731-L/TI	SK0732-L/TI	SK0733-L/TI	SK0735-L/TI	lower part, left lateral or right medial, bent inwards, titanium
16	SK0731-R/TI	SK0732-R/TI	SK0733-R/TI	SK0735-R/TI	lower part, left medial or right lateral, bent inwards, titanium
17	FE1407-01	FE1411-02	FE1411-02	FE1411-02	coil spring
18	SK0771-20	SK0772-20	SK0773-20	SK0775-20	locating pin for adjusting the permanent unlock function
19	SK0781-2L/TI	SK0782-2L/TI	SK0783-2L/TI	SK0785-2L/TI	5° flexion stop disc with sliding bushing, left lateral or right medial, titanium
19	SK0781-2R/TI	SK0782-2R/TI	SK0783-2R/TI	SK0785-2R/TI	5° flexion stop disc with sliding bushing, left medial or right lateral, titanium
19a	BP0807-L056	BP1009-L065	BP1110-L078	BP1211-L090	sliding bushing
20	SK0781-3L/TI	SK0782-3L/TI	SK0783-3L/TI	SK0785-3L/TI	10° flexion stop disc with sliding bushing, left lateral or right medial, titanium
20	SK0781-3R/TI	SK0782-3R/TI	SK0783-3R/TI	SK0785-3R/TI	10° flexion stop disc with sliding bushing, left medial or right lateral, titanium
21	SK0781-4L/TI	SK0782-4L/TI	SK0783-4L/TI	SK0785-4L/TI	15° flexion stop disc with sliding bushing, left lateral or right medial, titanium
21	SK0781-4R/TI	SK0782-4R/TI	SK0783-4R/TI	SK0785-4R/TI	15° flexion stop disc with sliding bushing, left medial or right lateral, titanium
22	SK0781-5L/TI	SK0782-5L/TI	SK0783-5L/TI	SK0785-5L/TI	20° flexion stop disc with sliding bushing, left lateral or right medial, titanium
22	SK0781-5R/TI	SK0782-5R/TI	SK0783-5R/TI	SK0785-5R/TI	20° flexion stop disc with sliding bushing, left medial or right lateral, titanium
23	SK0781-6L/TI	SK0782-6L/TI	SK0783-6L/TI	SK0785-6L/TI	25° flexion stop disc with sliding bushing, left lateral or right medial, titanium
23	SK0781-6R/TI	SK0782-6R/TI	SK0783-6R/TI	SK0785-6R/TI	25° flexion stop disc with sliding bushing, left medial or right lateral, titanium
24	SK0781-7L/TI	SK0782-7L/TI	SK0783-7L/TI	SK0785-7L/TI	30° flexion stop disc with sliding bushing, left lateral or right medial, titanium
24	SK0781-7R/TI	SK0782-7R/TI	SK0783-7R/TI	SK0785-7R/TI	30° flexion stop disc with sliding bushing, left medial or right lateral, titanium
25	SK0761-2L/AL	SK0762-2L/AL	SK0763-2L/AL	SK0765-2L/AL	cover plate, left lateral or right medial, aluminium
25	SK0761-2R/AL	SK0762-2R/AL	SK0763-2R/AL	SK0765-2R/AL	cover plate, left medial or right lateral, aluminium
26	SC1404-L12	SC1404-L12	SC1404-L14	SC1405-L14	countersunk flat head screw with hexalobular socket
27	SC1404-L12	SC1405-L12	SC1405-L14	SC1406-L14	countersunk flat head screw with hexalobular socket (axle screw)
w/o fig.	SK0492-VS	SK0492-VS	SK0493-VS	SK0493-VS	connecting tube for lever extension
w/o fig.	SC0403-L08	SC0403-L08	SC0403-L10	SC0403-L10	pan head screw for exchanging extension stops

→ You always need an extension stop and a corresponding flexion stop disc to change the flexion angle.

* Locking Pawls				
12mm	Article Number for System Width			20mm
	14mm	16mm	16mm	
SK0771-L/025	-	-	SK0775-L/025	
SK0771-L/038	SK0772-L/038	SK0773-L/038	SK0775-L/038	
SK0771-L/044	-	-	SK0775-L/044	
SK0771-L/050	SK0772-L/050	SK0773-L/050	SK0775-L/050	
-	SK0772-L/056	SK0773-L/056	SK0775-L/056	
SK0771-L/063	SK0772-L/063	SK0773-L/063	SK0775-L/063	
-	SK0772-L/069	SK0773-L/069	-	
-	SK0772-L/075	SK0773-L/075	SK0775-L/075	
-	SK0772-L/088	SK0773-L/088	SK0775-L/088	
-	SK0772-L/100	SK0773-L/100	-	



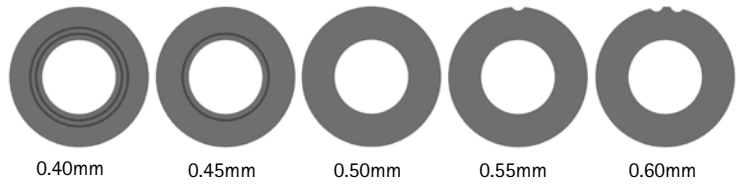
The locking pawls are marked with the last three digits of the article number. The larger the number, the longer the locking pawl. Please, note and respect when reordering: Mount the next longer locking pawl if there is any play resulting from usage.

If you need a locking pawl for right lateral or left medial as opposed to a locking pawl for left lateral or right medial listed here, you have to replace the L in the article number with an R. Example: SK0775-R/025.

** Sliding Washers

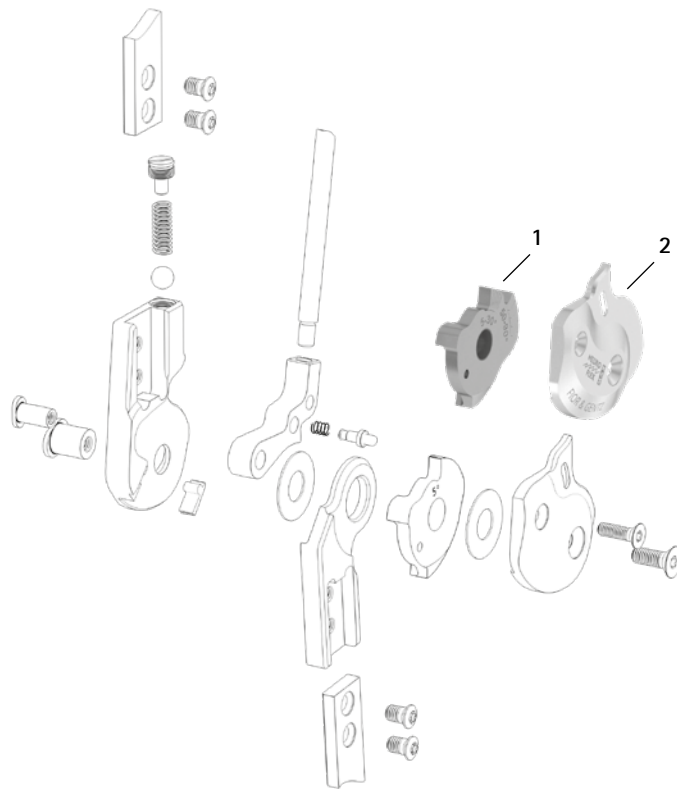
12mm	Article Number for System Width		
	14mm	16mm	20mm
∅ = 18mm	∅ = 20mm	∅ = 22mm	∅ = 24mm
GS1807-040	GS2009-040	GS2210-040	GS2411-040
GS1807-045	GS2009-045	GS2210-045	GS2411-045
GS1807-050	GS2009-050	GS2210-050	GS2411-050
GS1807-055	GS2009-055	GS2210-055	GS2411-055
GS1807-060	GS2009-060	GS2210-060	GS2411-060

The last three digits of the article number stand for the thickness of the sliding washer, e. g. GS1407-**040**. The thickness of this sliding washer is 0.40mm. In total, the sliding washers are available in five different thicknesses. The thickness of a sliding washer is indicated by the markings. For example, a sliding washer with two notches is 0.40mm thick, whereas a sliding washer with one notch is 0.55mm thick.

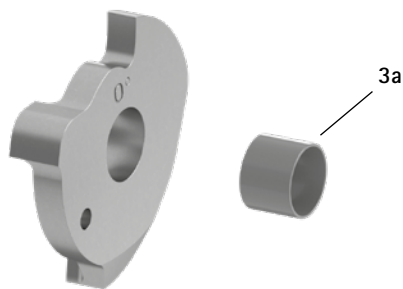


➔ You will find system side bars and system anchors on catalogue page 11ff.

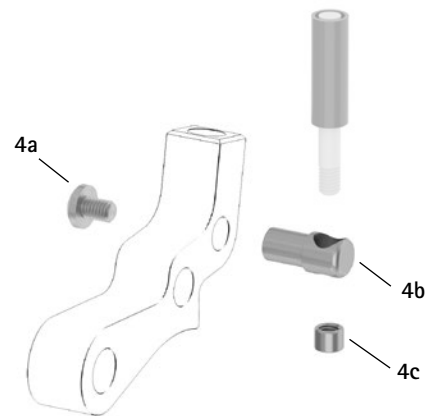
Flexion Stop Disc and Cover Plate for Alternative Function

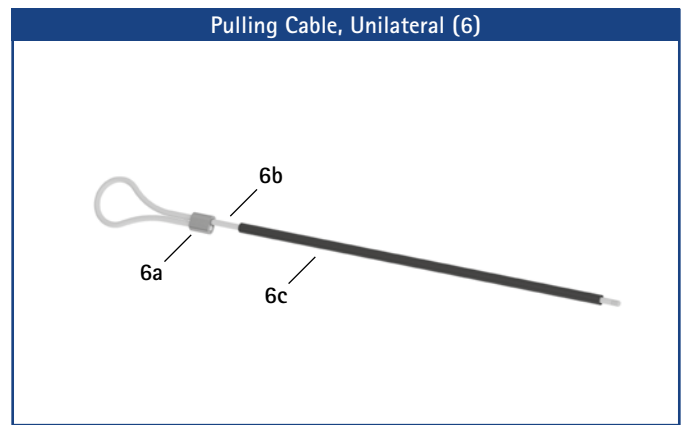
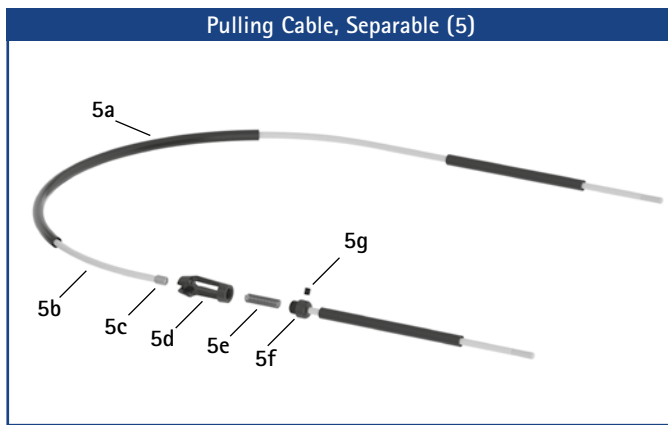


0° Flexion Stop Disc with Sliding Bushing, Preassembled (3)



Pulling Cable Adaptor (4)





Accessory Parts					
Item	Article Number for System Width				Description
	12mm	14mm	16mm	20mm	
1	SK0741-2L50F	SK0742-2L50F	SK0743-2L50F	SK0745-2L50F	5° flexion stop disc AF with sliding bushing, 5°-30°, left lateral or right medial, titanium
1	SK0741-2R50F	SK0742-2R50F	SK0743-2R50F	SK0745-2R50F	5° flexion stop disc AF with sliding bushing, 5°-30°, left medial or right lateral, titanium
1	SK0741-L50F	SK0742-L50F	SK0743-L50F	SK0745-L50F	0° flexion stop disc AF with sliding bushing, 0°-30°, left lateral or right medial, titanium
1	SK0741-R50F	SK0742-R50F	SK0743-R50F	SK0745-R50F	0° flexion stop disc AF with sliding bushing, 0°-30°, left medial or right lateral, titanium
2	SK0761-4L/AL	SK0762-4L/AL	SK0763-4L/AL	SK0765-4L/AL	cover plate AF, left lateral or right medial, aluminium
2	SK0761-4R/AL	SK0762-4R/AL	SK0763-4R/AL	SK0765-4R/AL	cover plate AF, left medial or right lateral, aluminium
3	SK0781-L/TI*	SK0782-L/TI*	SK0783-L/TI*	SK0785-L/TI*	0° flexion stop disc with sliding bushing, left lateral or right medial, titanium*
3	SK0781-R/TI*	SK0782-R/TI*	SK0783-R/TI*	SK0785-R/TI*	0° flexion stop disc with sliding bushing, left medial or right lateral, titanium*
3a	BP0807-L056	BP1009-L065	BP1110-L078	BP1211-L090	sliding bushing
4	ZS3701	ZS3702	ZS3703	ZS3705	pulling cable adaptor
4a	SC4303-L04	SC4303-L04	SC4303-L04	SC4304-L08	pan head screw with cross recess H
4b	ZS0324-06	ZS0324-07	ZS0324-08	ZS0326-10	pulling cable holder
4c	ZS0233	ZS0233	ZS0233	ZS0235	threaded sleeve
w/o fig.	ZS1000-L400**	ZS1000-L400**	ZS1000-L400**	ZS1000-L400**	pulling cable, nylon cable with cover, 400mm**
w/o fig.	ZS1000-L500**	ZS1000-L500**	ZS1000-L500**	ZS1000-L500**	pulling cable, nylon cable with cover, 500mm**
w/o fig.	ZS1000-L600**	ZS1000-L600**	ZS1000-L600**	ZS1000-L600**	pulling cable, nylon cable with cover, 600mm**
w/o fig.	ZS1000-L700**	ZS1000-L700**	ZS1000-L700**	ZS1000-L700**	pulling cable, nylon cable with cover, 700mm**
5	ZS1100-L400**	ZS1100-L400**	ZS1100-L400**	ZS1100-L400**	pulling cable, separable through coupler, 400mm**
5	ZS1100-L500**	ZS1100-L500**	ZS1100-L500**	ZS1100-L500**	pulling cable, separable through coupler, 500mm**
5a	ZS0102	ZS0102	ZS0102	ZS0102	cable cover, 1000mm long
5b	ZS0002	ZS0002	ZS0002	ZS0002	nylon cable, 1000mm long
5c	ZS0235	ZS0235	ZS0235	ZS0235	threaded sleeve
5d	VE0101-AL	VE0101-AL	VE0101-AL	VE0101-AL	coupler case, aluminium
5e	FE1420-01	FE1420-01	FE1420-01	FE1420-01	coil spring
5f	VE0102-AL	VE0102-AL	VE0102-AL	VE0102-AL	connecting screw for coupler
5g	SC9603-L03	SC9603-L03	SC9603-L03	SC9603-L03	headless pin with hexagon socket
5c-5g	VE1000-AL	VE1000-AL	VE1000-AL	VE1000-AL	coupler, aluminium
6	ZS1400-L600**	ZS1400-L600**	ZS1400-L600**	ZS1400-L600**	pulling cable with ferrule for unilateral lock, nylon cable with cover, 600mm long**
6a	ZS0403-AL	ZS0403-AL	ZS0403-AL	ZS0403-AL	ferrule for 3mm nylon cable, aluminium
6b	ZS0001-L600	ZS0001-L600	ZS0001-L600	ZS0001-L600	nylon cable with thread
6c	ZS0102-L500	ZS0102-L500	ZS0102-L500	ZS0102-L500	cable cover, 500mm long

* You do not need an extension stop for this 0° flexion stop disc.

** You need one pulling cable adaptor for each locking pawl to mount a pulling cable on.

NEURO LOCK

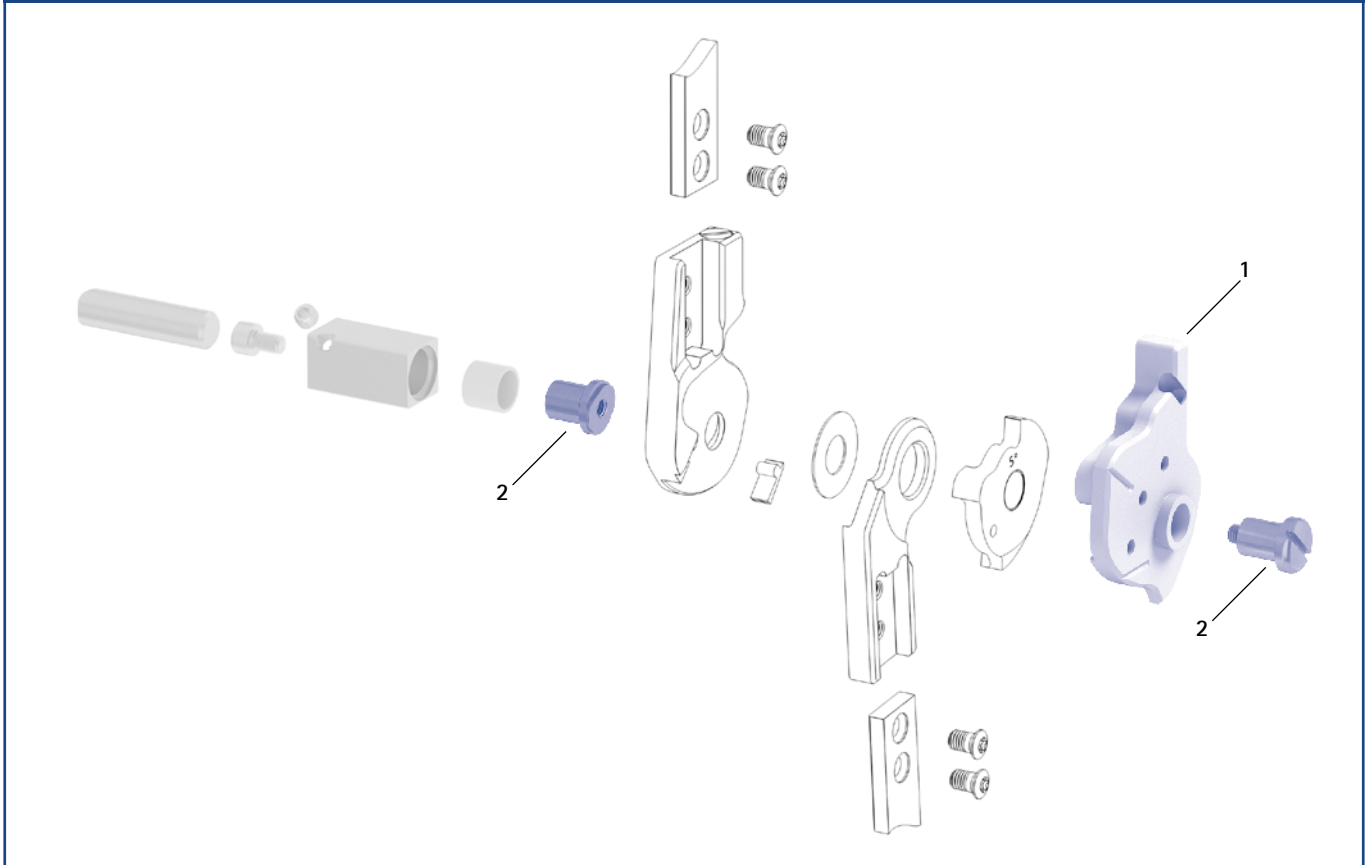
NEURO LOCK MAX

NEURO FLEX MAX
Lock Function

NEURO FLEX MAX
Step Lock Function

NEURO LOCK Carbon

Assembly/Lamination Dummies and Joint Retainers



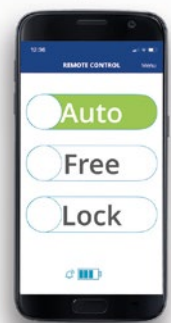
Assembly/Lamination Dummies and Joint Retainers						
Item	Article Number for System Width				Description	Unit
	12mm	14mm	16mm	20mm		
1	SK0971-L	SK0972-L	SK0973-L	SK0975-L	assembly/lamination dummy, left lateral or right medial	piece
1	SK0971-R	SK0972-R	SK0973-R	SK0975-R	assembly/lamination dummy, left medial or right lateral	piece
2	PE1121-LR	PE1122-LR	PE1123-LR	PE1125-LR	joint retainer	piece
	2/A	10/B	9/C	8/C	laser marking	-

- ➔ Assembly/lamination dummies are included in the scope of delivery of the system joints.
- ➔ You will find an overview of our tools on catalogue page J1ff.
- ➔ You will also find the joint retainers and the corresponding laser markings in the tool case on the catalogue pages J13 and J14.

NEURO TRONIC – Electromechanical Stance Phase Control



splashwater-protected
according to IP44



NEURO FLEX MAX

RASTENSPERRFUNKTION



Main Function



step lock function
monocentric, locked with posterior offset

- unlocking via lock lever/pulling cable
- permanent unlocking via lock lever/pulling cable and locating pin
- locked in 5° extension (gradual locking of the joint in 10° steps to a maximum of 55°)

Functions for Locked System Joints



exchangeable step lock stop disc

Type of Extension Stop



static extension stop, exchangeable

Adjustment Options

flexion angle can be adjusted, as required, in a variety of ways (0°, 10°, 20°, 30°) by exchanging the extension stop and step lock stop disc (0°–60°) for a gradual locking of the joint in 10° steps to a maximum of 60°

Alternative Function

limitation of the maximum knee flexion angle (50°–90°) in 10° steps by mounting the locking pawl, the flexion stop disc AF and the cover plate AF as well as by filing the flexion stop disc AF at the second stop if necessary (different flexion angles are possible by exchanging the extension stop and filing the flexion stop disc AF at the first stop)

The NEURO FLEX MAX system knee joint with step lock function can be converted into the NEURO FLEX MAX system knee joint with lock function by exchanging the step lock pawl and step lock stop disc for the locking pawl and the flexion stop disc.

The NEURO VARIO system knee joint can be used as a supporting joint for the NEURO FLEX MAX system knee joint with step lock function.



NEURO LOCK

NEURO LOCK MAX

NEURO FLEX MAX
Lock Function

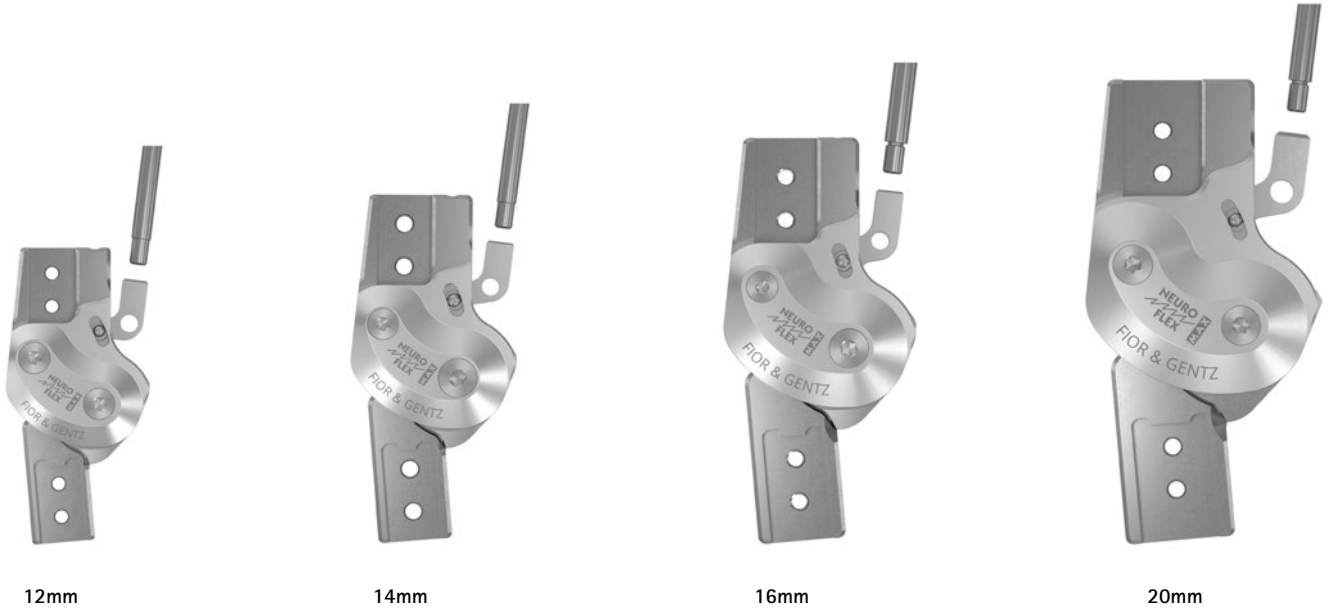
NEURO FLEX MAX
Step Lock Function

NEURO LOCK Carbon

System Knee Joints NEURO FLEX MAX Step Lock Function

NEURO LOCK

NEURO LOCK MAX

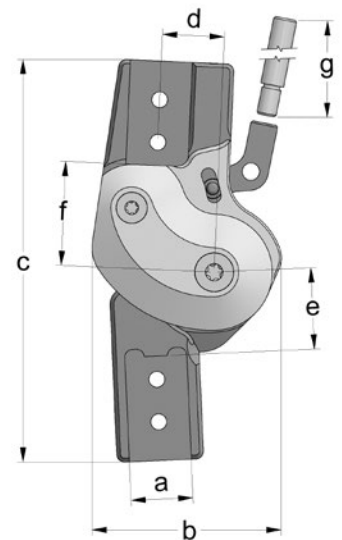


Joint Dimensions [mm]		System Width a			
Dimension	Description	12mm	14mm	16mm	20mm
b	joint head width	37	42.5	49	59
c	joint height	76	90	104	119
d	posterior offset*	12	14	16	20
e	distance pivot point – lower system case	15	17.5	21	23.5
f	distance pivot point – upper system case	21	24	27	33
g	lever length	200	200	200	200
	joint thickness	13	14	16	17.5

* important for the permanent unlock function

Joint Weights** [g]		System Width			
Material	Unit	12mm	14mm	16mm	20mm
titanium	piece	60	89	138	224

** without lever extension



The NEURO FLEX MAX system knee joint with step lock function is delivered with the following articles:

- pan head screw for exchanging extension stops
- orthosis joint grease, 3g
- assembly/lamination dummy
- lever extension
- connecting tube for lever extension***

*** only with system joints for left lateral or right medial

- ➔ Please order system side bars/anchors separately.
- ➔ You will find pulling cables and pulling cable adaptors on catalogue page G40.7f.
- ➔ You will find system side bars/anchors on catalogue page I1ff.

G40.3

NEURO LOCK Carbon

NEURO FLEX MAX
Lock Function

NEURO FLEX MAX
Step Lock Function

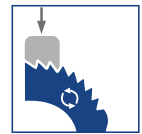


straight
fig. 1



bent inwards distally
fig. 2

Straight (Fig. 1)						
Material	Leg Side	Unit	Article Number for System Width			
			12mm	14mm	16mm	20mm
titanium	left lateral or right medial	piece	SK7401-L/TI	SK7402-L/TI	SK7403-L/TI	SK7405-L/TI
	left medial or right lateral	piece	SK7401-R/TI	SK7402-R/TI	SK7403-R/TI	SK7405-R/TI



Bent Inwards Distally (Fig. 2)						
Material	Leg Side	Unit	Article Number for System Width			
			12mm	14mm	16mm	20mm
titanium	left lateral or right medial	piece	SK7421-L/TI	SK7422-L/TI	SK7423-L/TI	SK7425-L/TI
	left medial or right lateral	piece	SK7421-R/TI	SK7422-R/TI	SK7423-R/TI	SK7425-R/TI



NEURO LOCK

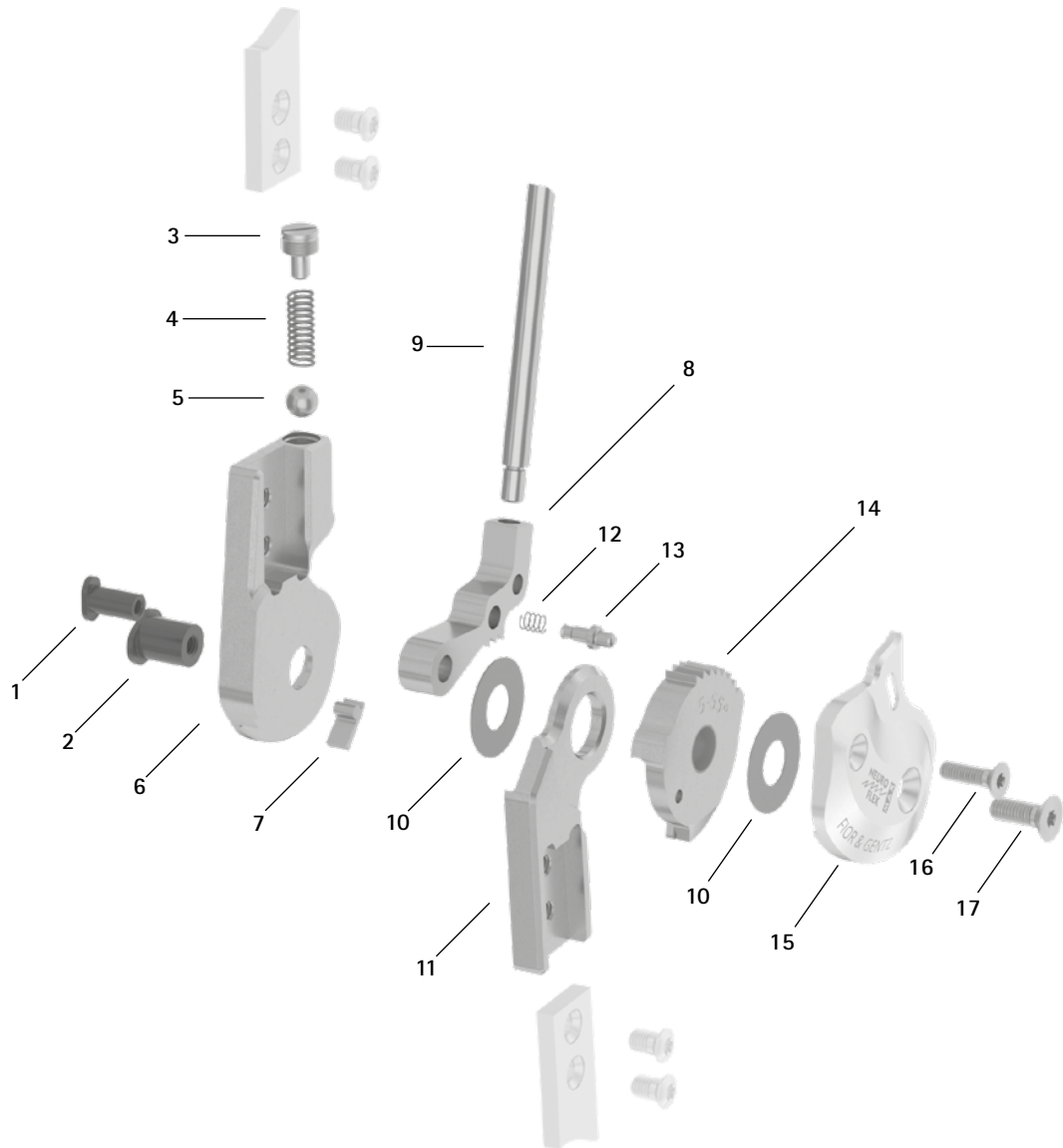
NEURO LOCK MAX

NEURO FLEX MAX
Lock Function

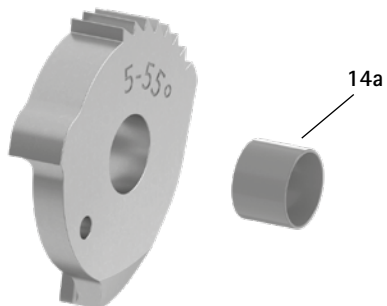
NEURO FLEX MAX
Step Lock Function

NEURO LOCK Carbon

Spare Parts



Step Lock Stop Disc with Sliding Bushing, Preassembled (14)



Spare Parts					
Item	Article Number for System Width				Description
	12mm	14mm	16mm	20mm	
1	SB6049-L0850	SB6049-L0950	SB6049-L1130	SB8559-L1290	bearing nut (step lock pawl)
2	SB7049-L0850	SB8559-L0950	SB9669-L1130	SB1069-L1290	bearing nut (joint axis)
3	SC2106-L04	SC2107-L04	SC9608-L11	SC9609-L04/1	pressure screw
4	FE1414-01	FE1520-01	FE1527-01	FE2726-01	pressure spring
5	KU1005-ST	KU1006-ST	KU1007-ST	KU1008-ST	ball
6	SK0701-2L/TI	SK0702-2L/TI	SK0703-2L/TI	SK0705-2L/TI	upper part, left lateral or right medial, straight, titanium
6	SK0701-2R/TI	SK0702-2R/TI	SK0703-2R/TI	SK0705-2R/TI	upper part, left medial or right lateral, straight, titanium
7	SK9801-E005	SK9802-E005	SK9803-E005	SK9805-E005	5° extension stop
8	SK0761-*	SK0762-*	SK0763-*	SK0765-*	step lock pawl*
9	SK0492-ST	SK0492-ST	SK0495-ST	SK0495-ST	lever extension
10	GS1807-**	GS2009-**	GS2210-**	GS2411-**	sliding washer**
11	SK0711-L/TI	SK0712-L/TI	SK0713-L/TI	SK0715-L/TI	lower part, left lateral or right medial, straight, titanium
11	SK0711-R/TI	SK0712-R/TI	SK0713-R/TI	SK0715-R/TI	lower part, left medial or right lateral, straight, titanium
11	SK0731-L/TI	SK0732-L/TI	SK0733-L/TI	SK0735-L/TI	lower part, left lateral or right medial, bent inwards, titanium
11	SK0731-R/TI	SK0732-R/TI	SK0733-R/TI	SK0735-R/TI	lower part, left medial or right lateral, bent inwards, titanium
12	FE1407-01	FE1411-02	FE1411-02	FE1411-02	pressure spring
13	SK0771-20	SK0772-20	SK0773-20	SK0775-20	locating pin for adjusting the permanent unlock function
14	SK0791-2L/TI	SK0792-2L/TI	SK0793-2L/TI	SK0795-2L/TI	5° step lock stop disc with sliding bushing, 5°-55°, in 10° steps, left lateral or right medial, titanium
14	SK0791-2R/TI	SK0792-2R/TI	SK0793-2R/TI	SK0795-2R/TI	5° step lock stop disc with sliding bushing, 5°-55°, in 10° steps, left medial or right lateral, titanium
14a	BP0807-L056	BP1009-L065	BP1110-L078	BP1211-L090	sliding bushing
15	SK0761-2L/AL	SK0762-2L/AL	SK0763-2L/AL	SK0765-2L/AL	cover plate, left lateral or right medial, aluminium
15	SK0761-2R/AL	SK0762-2R/AL	SK0763-2R/AL	SK0765-2R/AL	cover plate, left medial or right lateral, aluminium
16	SC1404-L12	SC1404-L12	SC1404-L14	SC1405-L14	countersunk flat head screw with hexalobular socket
17	SC1404-L12	SC1405-L12	SC1405-L14	SC1406-L14	countersunk flat head screw with hexalobular socket (axle screw)
w/o fig.	SK0492-VS	SK0492-VS	SK0493-VS	SK0493-VS	connecting tube for lever extension
w/o fig.	SC0403-L08	SC0403-L08	SC0403-L10	SC0403-L10	pan head screw for exchanging extension stops

* Step Lock Pawls				
12mm	Article Number for System Width			
	14mm	16mm	20mm	
SK0761-L/025	SK0762-L/025	SK0763-L/025	SK0765-L/025	
SK0761-L/038	-	SK0763-L/038	-	
SK0761-L/050	SK0762-L/050	SK0763-L/050	SK0765-L/050	
SK0761-L/063	SK0762-L/063	SK0763-L/063	SK0765-L/063	
SK0761-L/075	SK0762-L/075	SK0763-L/075	SK0765-L/075	
-	SK0762-L/088	SK0763-L/088	SK0765-L/088	
-	SK0762-L/100	SK0763-L/100	-	



The step lock pawls are marked with the last three digits of the article number. The larger the number, the longer the step lock pawl. Please, note and respect when reordering: mount the next longer step lock pawl if there is any play resulting from usage.

If you need a step lock pawl for right lateral or left medial as opposed to a step lock pawl for left lateral or right medial listed here, you have to replace the L in the article number with an R. *Example: SK0775-R/025.*

→ The step lock pawl and step lock stop disc may be subject to higher wear.

** Sliding Washers				
12mm	Article Number for System Width			
	14mm	16mm	20mm	
∅ = 18mm	∅ = 20mm	∅ = 22mm	∅ = 24mm	
GS1807-040	GS2009-040	GS2210-040	GS2411-040	
GS1807-045	GS2009-045	GS2210-045	GS2411-045	
GS1807-050	GS2009-050	GS2210-050	GS2411-050	
GS1807-055	GS2009-055	GS2210-055	GS2411-055	
GS1807-060	GS2009-060	GS2210-060	GS2411-060	

The last three digits of the article number stand for the thickness of the sliding washer, e.g. GS1807-040. The thickness of this sliding washer is 0.40mm. In total, the sliding washers are available in five different thicknesses. The thickness of a sliding washer is indicated by the markings. For example, a sliding washer with two notches is 0.40mm thick, whereas a sliding washer with one notch is 0.55mm thick.



→ You will find system side bars and system anchors on catalogue page I1ff.

NEURO LOCK

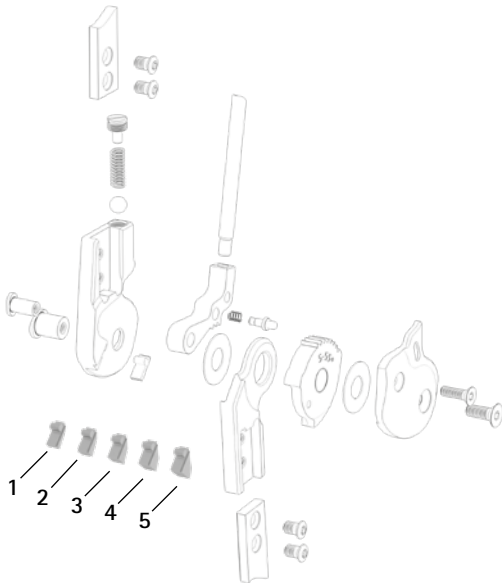
NEURO LOCK MAX

NEURO FLEX MAX
Lock Function

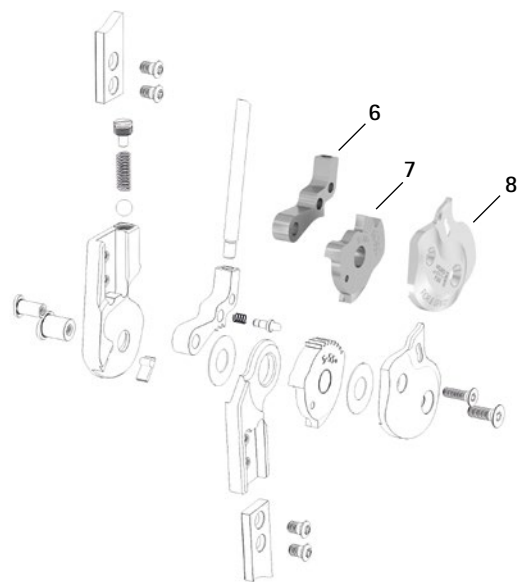
NEURO FLEX MAX
Step Lock Function

NEURO LOCK Carbon

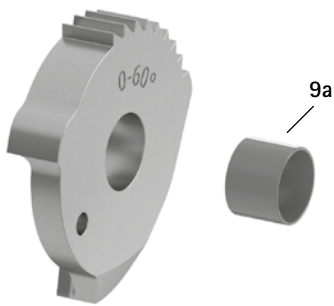
Extension Stops



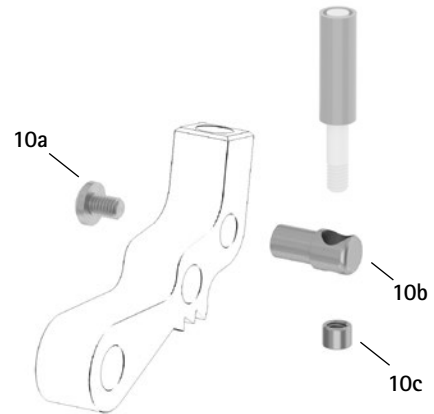
Locking Pawl, Flexion Stop Disc and Cover Plate for Alternative Function



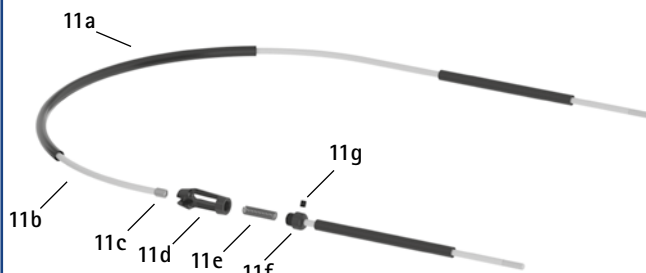
0° Step Lock Stop Disc with Sliding Bushing, Preassembled (9)



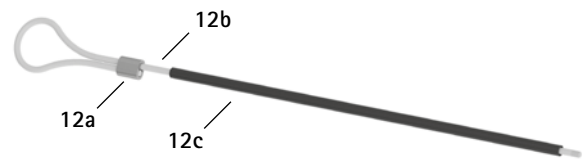
Pulling Cable Adaptor (10)



Pulling Cable, Separable (11)



Pulling Cable, Unilateral (12)



Accessory Parts					
Item	Article Number for System Width				Description
	12mm	14mm	16mm	20mm	
1	SK9801-E010	SK9802-E010	SK9803-E010	SK9805-E010	10° extension stop
2	SK9801-E015	SK9802-E015	SK9803-E015	SK9805-E015	15° extension stop
3	SK9801-E020	SK9802-E020	SK9803-E020	SK9805-E020	20° extension stop
4	SK9801-E025	SK9802-E025	SK9803-E025	SK9805-E025	25° extension stop
5	SK9801-E030	SK9802-E030	SK9803-E030	SK9805-E030	30° extension stop
6	SK0771-*	SK0772-*	SK0773-*	SK0775-*	locking pawl*
7	SK0741-2L50F	SK0742-2L50F	SK0743-2L50F	SK0745-2L50F	5° flexion stop disc AF, with sliding bushing, 5°-30°, left lateral or right medial, titanium
7	SK0741-2R50F	SK0742-2R50F	SK0743-2R50F	SK0745-2R50F	5° flexion stop disc AF, with sliding bushing, 5°-30°, left medial or right lateral, titanium
7	SK0741-L50F	SK0742-L50F	SK0743-L50F	SK0745-L50F	0° flexion stop disc AF, with sliding bushing, 0°-30°, left lateral or right medial, titanium
7	SK0741-R50F	SK0742-R50F	SK0743-R50F	SK0745-R50F	0° flexion stop disc AF, with sliding bushing, 0°-30°, left medial or right lateral, titanium
8	SK0761-4L/AL	SK0762-4L/AL	SK0763-4L/AL	SK0765-4L/AL	cover plate AF, left lateral or right medial, aluminium
8	SK0761-4R/AL	SK0762-4R/AL	SK0763-4R/AL	SK0765-4R/AL	cover plate AF, left medial or right lateral, aluminium
9	SK0791-L/TI	SK0792-L/TI	SK0793-L/TI	SK0795-L/TI	0° step lock stop disc with sliding bushing, 0°-60°, in 10° steps, left lateral or right medial, titanium
9	SK0791-R/TI	SK0792-R/TI	SK0793-R/TI	SK0795-R/TI	0° step lock stop disc with sliding bushing, 0°-60°, in 10° steps, left medial or right lateral, titanium
9a	BP0807-L056	BP1009-L065	BP1110-L078	BP1211-L090	sliding bushing
10	ZS3701	ZS3702	ZS3703	ZS3705	pulling cable adaptor
10a	SC4303-L04	SC4303-L04	SC4303-L04	SC4304-L08	pan head screw with cross recess H
10b	ZS0324-06	ZS0324-07	ZS0324-08	ZS0326-10	pulling cable holder
10c	ZS0233	ZS0233	ZS0233	ZS0235	threaded sleeve
w/o fig.	ZS1000-L400**	ZS1000-L400**	ZS1000-L400**	ZS1000-L400**	pulling cable, nylon cable with cover, 400mm**
w/o fig.	ZS1000-L500**	ZS1000-L500**	ZS1000-L500**	ZS1000-L500**	pulling cable, nylon cable with cover, 500mm**
w/o fig.	ZS1000-L600**	ZS1000-L600**	ZS1000-L600**	ZS1000-L600**	pulling cable, nylon cable with cover, 600mm**
w/o fig.	ZS1000-L700**	ZS1000-L700**	ZS1000-L700**	ZS1000-L700**	pulling cable, nylon cable with cover, 700mm**
11	ZS1100-L400**	ZS1100-L400**	ZS1100-L400**	ZS1100-L400**	pulling cable, separable through coupler, 400mm**
11	ZS1100-L500**	ZS1100-L500**	ZS1100-L500**	ZS1100-L500**	pulling cable, separable through coupler, 500mm**
11a	ZS0102	ZS0102	ZS0102	ZS0102	cable cover, 1000mm long
11b	ZS0002	ZS0002	ZS0002	ZS0002	nylon cable, 1000mm long
11c	ZS0235	ZS0235	ZS0235	ZS0235	threaded sleeve
11d	VE0101-AL	VE0101-AL	VE0101-AL	VE0101-AL	coupler case, aluminium
11e	FE1420-01	FE1420-01	FE1420-01	FE1420-01	pressure spring
11f	VE0102-AL	VE0102-AL	VE0102-AL	VE0102-AL	connecting screw for coupler
11g	SC9603-L03	SC9603-L03	SC9603-L03	SC9603-L03	headless pin with hexagon socket
11c-11g	VE1000-AL	VE1000-AL	VE1000-AL	VE1000-AL	coupler, aluminium
12	ZS1400-L600**	ZS1400-L600**	ZS1400-L600**	ZS1400-L600**	pulling cable with ferrule for unilateral lock, nylon cable with cover, 600mm long**
12a	ZS0403-AL	ZS0403-AL	ZS0403-AL	ZS0403-AL	ferrule for 3mm nylon cable, aluminium
12b	ZS0001-L600	ZS0001-L600	ZS0001-L600	ZS0001-L600	nylon cable with thread
12c	ZS0102-L500	ZS0102-L500	ZS0102-L500	ZS0102-L500	cable cover, 500mm long

* Locking Pawls				
12mm	Article Number for System Width			20mm
	14mm	16mm	16mm	
SK0771-L/025	-	-	-	SK0775-L/025
SK0771-L/038	SK0772-L/038	SK0773-L/038	SK0773-L/038	SK0775-L/038
SK0771-L/050	SK0772-L/050	SK0773-L/050	SK0773-L/050	SK0775-L/050
SK0771-L/063	SK0772-L/063	SK0773-L/063	SK0773-L/063	SK0775-L/063
-	SK0772-L/075	SK0773-L/075	SK0773-L/075	SK0775-L/075
-	SK0772-L/088	SK0773-L/088	SK0773-L/088	SK0775-L/088
-	SK0772-L/100	SK0773-L/100	SK0773-L/100	-



The locking pawls are marked with the last three digits of the article number. The larger the number, the longer the locking pawl. Please, note and respect when reordering: mount the next longer locking pawl if there is any play resulting from usage.

If you need a locking pawl for right lateral or left medial as opposed to a locking pawl for left lateral or right medial listed here, you have to replace the L in the article number with an R. *Example:* SK0775-R/025.

** You need one pulling cable adaptor for each locking pawl to mount a pulling cable on.

➔ The step lock stop disc may be subject to higher wear.

NEURO LOCK

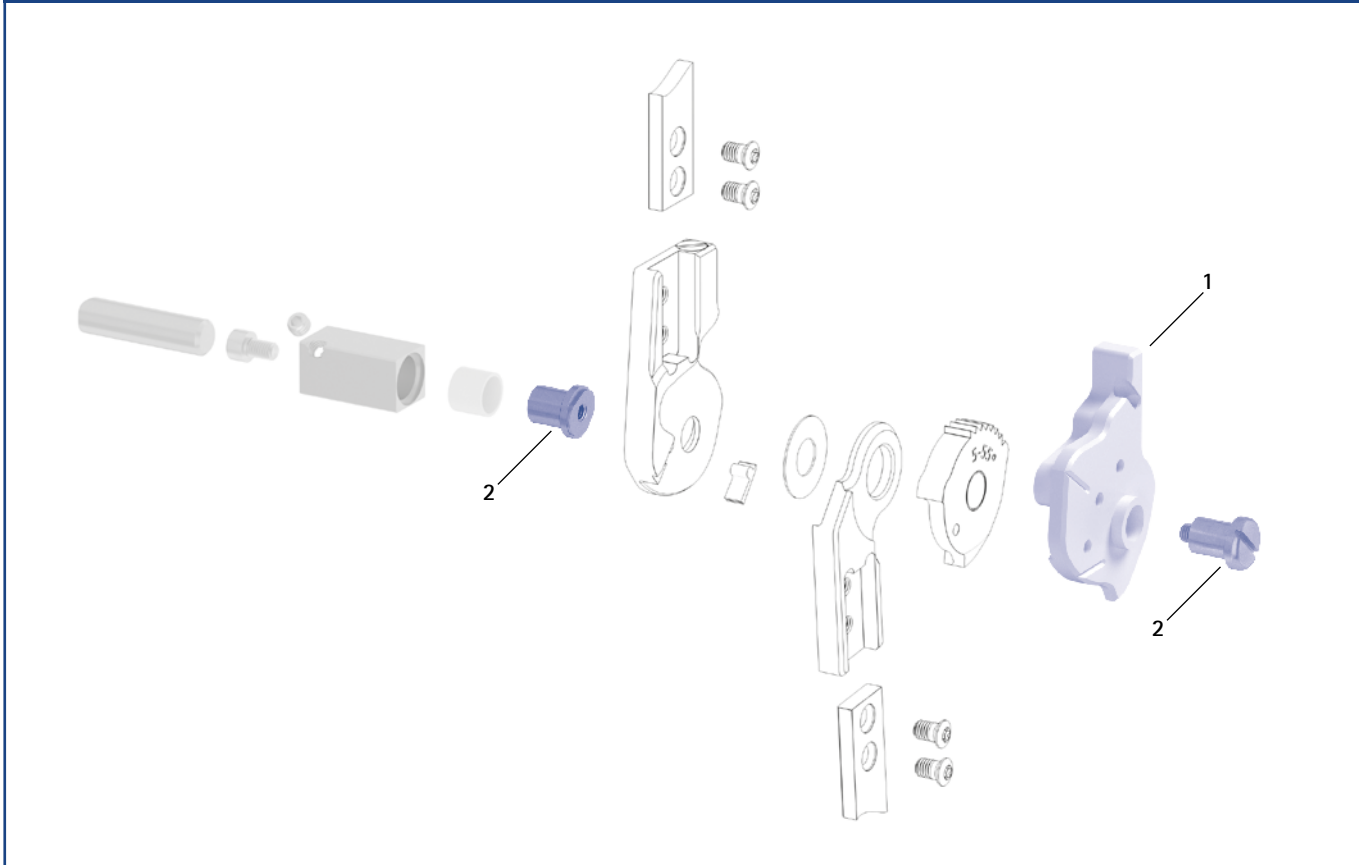
NEURO LOCK MAX

NEURO FLEX MAX
Lock Function

NEURO FLEX MAX
Step Lock Function

NEURO LOCK Carbon

Assembly/Lamination Dummies and Joint Retainers



Assembly/Lamination Dummies and Joint Retainers						
Item	Article Number for System Width				Description	Unit
	12mm	14mm	16mm	20mm		
1	SK0971-L	SK0972-L	SK0973-L	SK0975-L	assembly/lamination dummy, left lateral or right medial	piece
1	SK0971-R	SK0972-R	SK0973-R	SK0975-R	assembly/lamination dummy, left medial or right lateral	piece
2	PE1121-LR	PE1122-LR	PE1123-LR	PE1125-LR	joint retainer	piece
	2/A	10/B	9/C	8/C	laser marking	-

- ➔ Assembly/lamination dummies are included in the scope of delivery of the system joints.
- ➔ You will find an overview of our tools on catalogue page J1ff.
- ➔ You will also find the joint retainers and the corresponding laser markings in the tool case on the catalogue pages J13 and J14.

NEURO HiSWING – the **First Hydraulic** Ankle Joint in Orthotics



NEURO LOCK



NEURO LOCK MAX

NEURO FLEX MAX
Lock Function

NEURO FLEX MAX
Step Lock Function

NEURO LOCK Carbon



Main Function



lock function
monocentric, locked with posterior offset

- unlocking via lock lever/pulling cable
- permanent unlocking via lock lever/pulling cable and fixing pawl
- locked in 5° extension

Type of Extension Stop

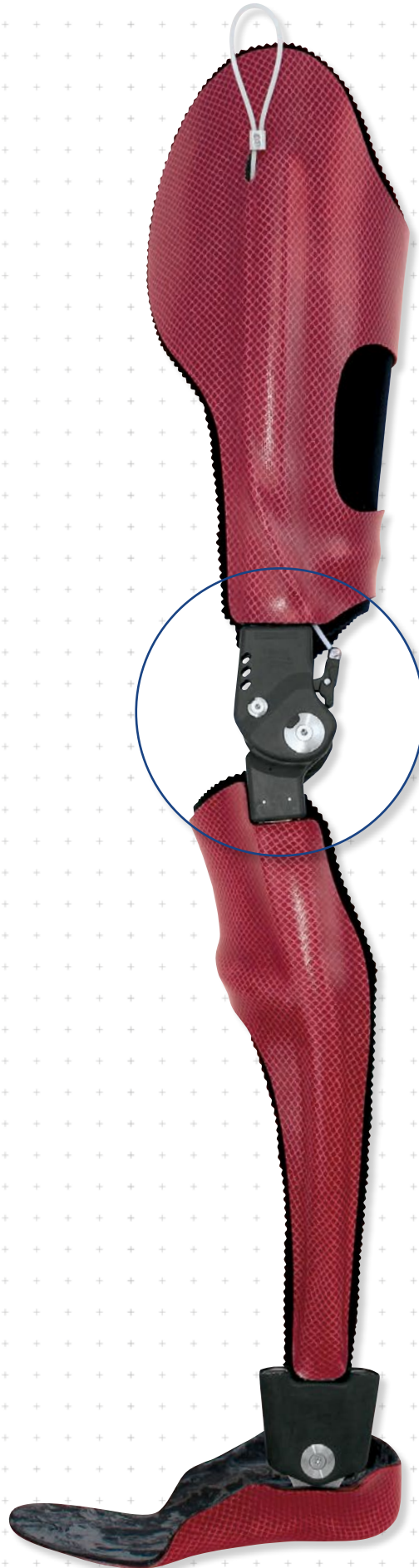


static extension stop

The NEURO LOCK Carbon is a water-resistant ultralight system knee joint made of carbon fibre reinforced plastics.

The NEURO LOCK Carbon system knee joint can be functionally converted into the NEURO CLASSIC Carbon system knee joint by removing the locking pawl, the spring guide and the coil spring.

The NEURO CLASSIC Carbon system knee joint can be used as a supporting joint for the NEURO LOCK Carbon system knee joint.



NEURO LOCK

NEURO LOCK MAX

NEURO FLEX MAX
Lock Function

NEURO FLEX MAX
Step Lock Function

NEURO LOCK Carbon

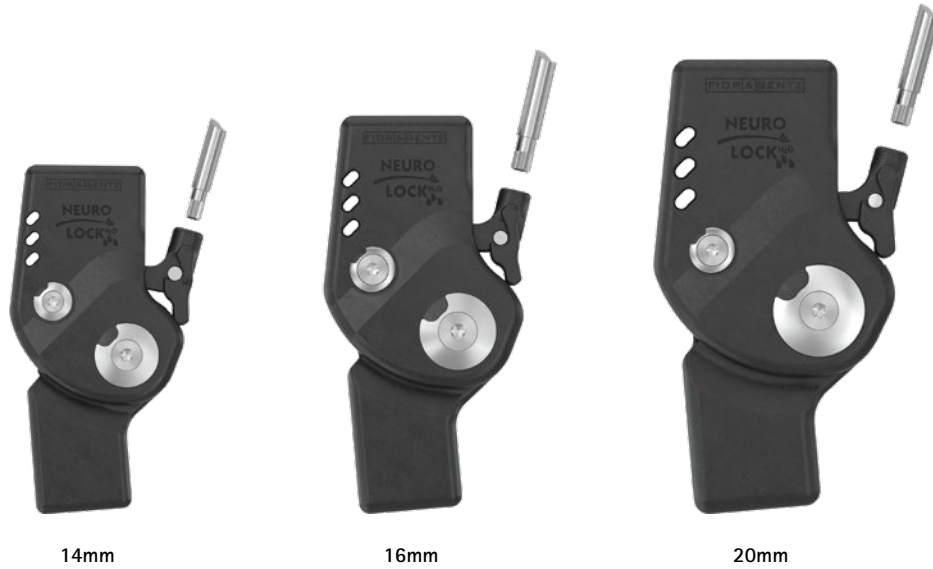
NEURO LOCK

NEURO LOCK MAX

NEURO FLEX MAX
Lock Function

NEURO FLEX MAX
Step Lock Function

NEURO LOCK Carbon

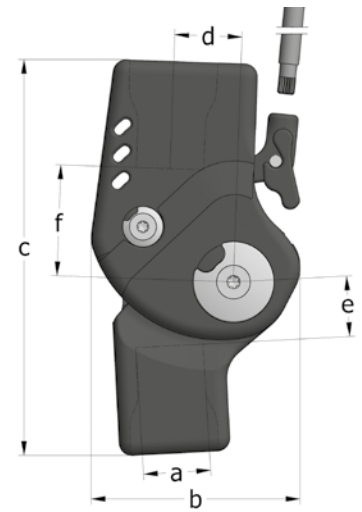


Joint Dimensions [mm]		System Width a		
Dimension	Description	14mm	16mm	20mm
b	joint head width	45	54	62
c	joint height	92	103	118
d	posterior offset*	14	16	20
e	distance pivot point – lower system case	14	18	18
f	distance pivot point – upper system case	24	29	33
	joint thickness	18	19	23

* important for the permanent unlock function

Joint Weights** [g]		System Width		
Material	Unit	14mm	16mm	20mm
carbon	piece	83	96	150

** without lever extension



The NEURO LOCK Carbon system knee joint is delivered with the following articles:
set 2-component adhesive and primer
orthosis joint grease, 3g
assembly/lamination dummy
lever extension
connecting tube for lever extension

- ➔ Please order system anchors separately.
- ➔ You will find pulling cables and pulling cable adaptors on catalogue page G50.7.
- ➔ You will find special system anchors for the NEURO LOCK Carbon on catalogue page I10f.



straight
fig. 1

Straight (Fig. 1)					
Material	Leg	Unit	Article Number for System Width		
			14mm	16mm	20mm
carbon	left or right	piece	SK8302-C/LR	SK8303-C/LR	SK8305-C/LR

NEURO LOCK

NEURO LOCK MAX

NEURO FLEX MAX
Lock Function

NEURO FLEX MAX
Step Lock Function

NEURO LOCK Carbon

NEURO LOCK

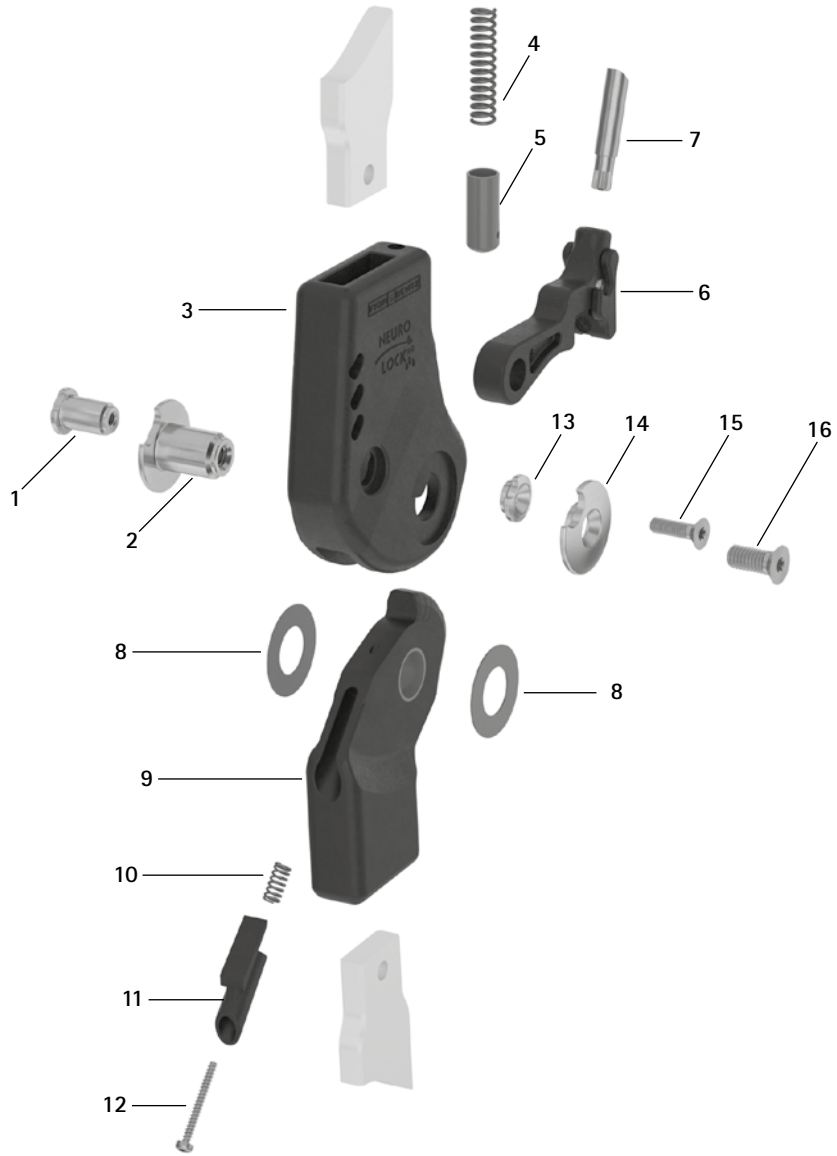
NEURO LOCK MAX

NEURO FLEX MAX
Lock Function

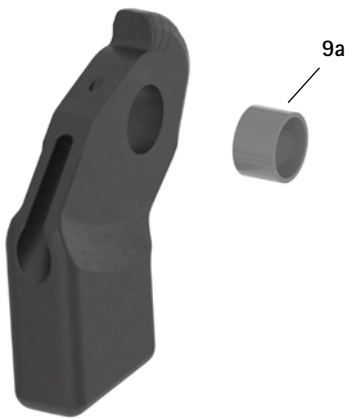
NEURO FLEX MAX
Step Lock Function

NEURO LOCK Carbon

Spare Parts



Lower Part with Sliding Bushing, Preassembled (9)

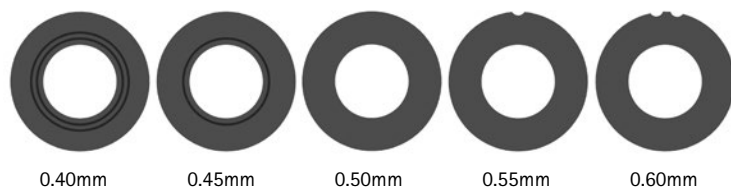


Item	Article Number for System Width			Description
	14mm	16mm	20mm	
1	SK0892-3/C	SK0893-3/C	SK0895-3/C	bearing nut (locking pawl)
2	SK0892-1/C	SK0893-1/C	SK0895-1/C	bearing nut (joint axis)
3	SK0802-C	SK0803-C	SK0805-C	upper part, straight, carbon
4	FE1526-01	FE1526-01	FE1733-02	coil spring
5	SK0872-10/C	SK0872-10/C	SK0875-10/C	spring guide
6	SK0872-5/C	SK0873-5/C	SK0875-5/C	locking pawl with fixing pawl, carbon-titanium hybrid
7	SK0872-51/C	SK0875-51/C	SK0875-51/C	lever extension
8	GS2009-*	GS2311-*	GS2413-*	sliding washer*
9	SK0812-2/C	SK0813-2/C	SK0815-2/C	5° lower part with sliding bushing, straight, carbon-titanium hybrid
9a	BP1009-L059	BP1211-L077	BP1412-L090	sliding bushing
10	FE1510-02	FE1510-02	FE1510-02	coil spring
11	SK9802-E005/C**	SK9803-E005/C**	SK9805-E005/C**	5° extension stop**
12	SC4402-L22	SC4402-L22	SC4402-L22	cheese head screw
13	SK0892-4/C	SK0895-4/C	SK0895-4/C	cover disc (locking pawl)
14	SK0892-2/C	SK0893-2/C	SK0895-2/C	cover disc (joint axis)
15	SC1403-L08	SC1404-L12	SC1404-L14	countersunk flat head screw with hexalobular socket
16	SC1404-L10	SC1405-L14	SC1406-L14	countersunk flat head screw with hexalobular socket (axle screw)

** You can correct play in the system joint by using the precisely adjustable extension stop.

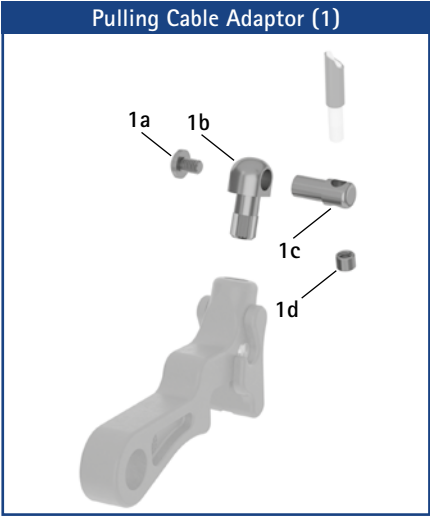
* Sliding Washers			
	Article Number for System Width		
	14mm	16mm	20mm
Ø = 20mm	Ø = 23mm	Ø = 24mm	
GS2009-040	GS2311-040	GS2413-040	
GS2009-045	GS2311-045	GS2413-045	
GS2009-050	GS2311-050	GS2413-050	
GS2009-055	GS2311-055	GS2413-055	
GS2009-060	GS2311-060	GS2413-060	

The last three digits of the article number stand for the thickness of the sliding washer, e.g. GS2009-040. The thickness of this sliding washer is 0.40mm. In total, the sliding washers are available in five different thicknesses. The thickness of a sliding washer is indicated by the markings. For example, a sliding washer with two notches is 0.40mm thick, whereas a sliding washer with one notch is 0.55mm thick. Please use the sliding washer centring pin to position the sliding washers.

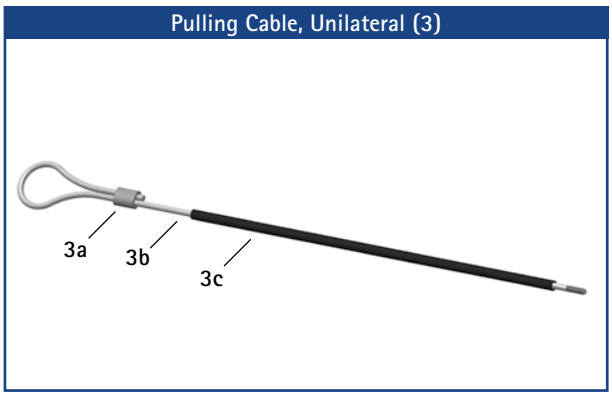
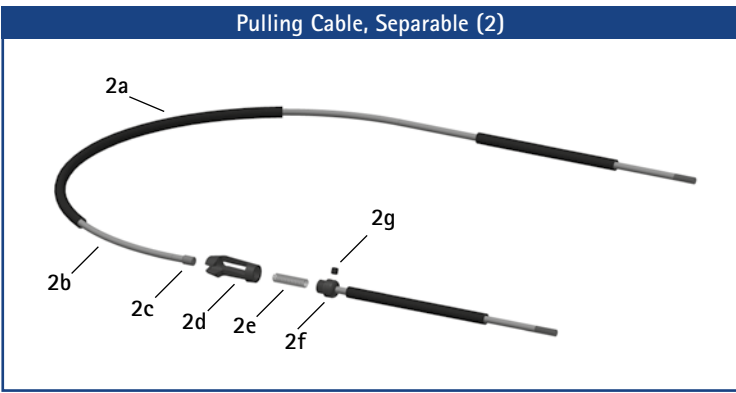


→ You will find special system anchors for the NEURO LOCK Carbon on catalogue page I10f.

NEURO LOCK



NEURO LOCK MAX



NEURO FLEX MAX
Lock Function

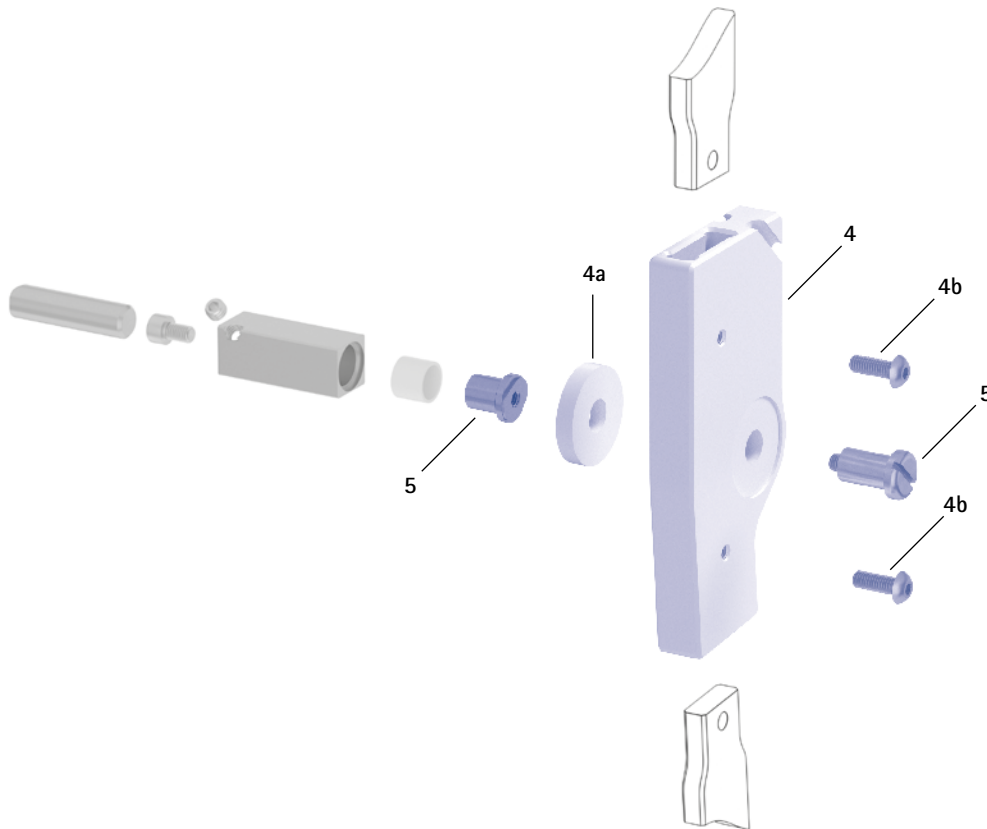
NEURO FLEX MAX
Step Lock Function

Accessory Parts				
Item	Article Number for System Width			Description
	14mm	16mm	20mm	
1	SK0872-50/C	SK0875-50/C	SK0875-50/C	pulling cable adaptor
1a	SC4303-L04	SC4303-L04	SC4303-L04	pan head screw with cross recess H
1b	SK0872-50/C/0	SK0875-50/C/0	SK0875-50/C/0	retainer for pulling cable holder
1c	ZS0324-07	ZS0324-07	ZS0324-07	pulling cable holder
1d	ZS0233	ZS0233	ZS0233	threaded sleeve
w/o fig.	ZS1000-L400*	ZS1000-L400*	ZS1000-L400*	pulling cable, nylon cable with cover, 400mm*
w/o fig.	ZS1000-L500*	S1000-L500*	ZS1000-L500*	pulling cable, nylon cable with cover, 500mm*
w/o fig.	ZS1000-L600*	ZS1000-L600*	ZS1000-L600*	pulling cable, nylon cable with cover, 600mm*
w/o fig.	ZS1000-L700*	ZS1000-L700*	ZS1000-L700*	pulling cable, nylon cable with cover, 700mm*
2	ZS1100-L400*	ZS1100-L400*	ZS1100-L400*	pulling cable, separable through coupler, 400mm*
2	ZS1100-L500*	ZS1100-L500*	ZS1100-L500*	pulling cable, separable through coupler, 500mm*
2a	ZS0102	ZS0102	ZS0102	cable cover, 1000mm long
2b	ZS0002	ZS0002	ZS0002	nylon cable, 1000mm long
2c	ZS0235	ZS0235	ZS0235	threaded sleeve
2d	VE0101-AL	VE0101-AL	VE0101-AL	coupler case, aluminium
2e	FE1420-01	FE1420-01	FE1420-01	pressure spring
2f	VE0102-AL	VE0102-AL	VE0102-AL	connecting screw for coupler
2g	SC9603-L03	SC9603-L03	SC9603-L03	headless pin with hexagon socket
2c-g	VE1000-AL	VE1000-AL	VE1000-AL	coupler, aluminium
3	ZS1400-L600*	ZS1400-L600*	ZS1400-L600*	pulling cable with ferrule for unilateral lock, nylon cable with cover, 600mm long*
3a	ZS0403-AL	ZS0403-AL	ZS0403-AL	ferrule for 3mm nylon cable, aluminium
3b	ZS0001-L600	ZS0001-L600	ZS0001-L600	nylon cable with thread, 625mm
3c	ZS0102-L500	ZS0102-L500	ZS0102-L500	cable cover, 500mm long

* You need one pulling cable adaptor for each locking pawl to mount a pulling cable on.

NEURO LOCK Carbon

Assembly/Lamination Dummies and Joint Retainers



Assembly/Lamination Dummies and Joint Retainers

Item	Article Number for System Width			Description	Unit
	14mm	16mm	20mm		
4	SK0982-C/LR1	SK0983-C/LR1	SK0985-C/LR1	assembly/lamination dummy (1 dummy with distance ring and two screws)	piece
4a	SK0982-C/LR/2	SK0983-C/LR/2	SK0985-C/LR/2	distance ring for assembly/lamination dummy	piece
4b	SC0005-L12	SC0005-L12	SC0005-L14	pan head screw with hexagon socket	piece
5	PE1012-LR	PE1122-LR	PE1123-LR	joint retainer	piece
	4/B	10/B	9/C	laser marking	-

- ➔ Assembly/lamination dummies are included in the scope of delivery of the system joints.
- ➔ You will find an overview of our tools on catalogue page J1ff.
- ➔ You will also find the joint retainers and the corresponding laser markings in the tool case on the catalogue pages J13 and J14.



<p>Description</p>	<p>The NEURO SWING FIT AFO Test Orthosis is a preproduced ankle-foot orthosis which is used for a later treatment with an AFO with a system ankle joint with dynamic dorsiflexion and plantar flexion stop, such as the NEURO SWING. The test orthosis is not suitable for permanent patient treatment or for sale to patients.</p>
<p>Features</p>	<ul style="list-style-type: none"> - premounted water-resistant NEURO SWING Carbon system ankle joint - antimicrobial lower leg shell pad with a towelling coating and a velour coating - adjustable hook and loop fastener for fixing orthoses on the leg
<p>Material</p>	<ul style="list-style-type: none"> - lower leg shell and foot piece made of resistant carbon fibre reinforced plastics - integrated system anchor consisting of high-strength aluminium - integrated system stirrup made of stainless steel

The NEURO SWING FIT AFO test orthoses are premounted and delivered in two cloth bags for orthoses.

- ➔ The NEURO SWING FIT AFO test orthoses are only available as a set consisting of a left and a right test orthosis.
- ➔ The spring units are not included in the scope of delivery and have to be ordered separately.



Set NEURO SWING FIT AFO Test Orthosis*							
Leg	Unit	Shoe Size	Orthosis Size	Article Number for System Width			
				12mm	14mm	16mm	20mm
left right	set	29-31	XXS	AC5201-XXS/LR	AC5202-XXS/LR	-	-
left right	set	32-34	XS	-	AC5202-XS/LR	-	-
left right	set	35-37	S	-	-	AC5203-S/LR	-
left right	set	38-40	M	-	-	AC5203-M/LR	-
left right	set	41-43	L	-	-	-	AC5205-L/LR
left right	set	44-46	XL	-	-	-	AC5205-XL/LR

* Determine the shoe size and select the respective orthosis size. For patients with a heavy body weight or of sturdy build, it may be necessary to select a larger orthosis size.

The NEURO SWING FIT AFO Test Orthosis should be worn with a knee stocking or a knee high compression stocking.

Spare Parts
Padding Set

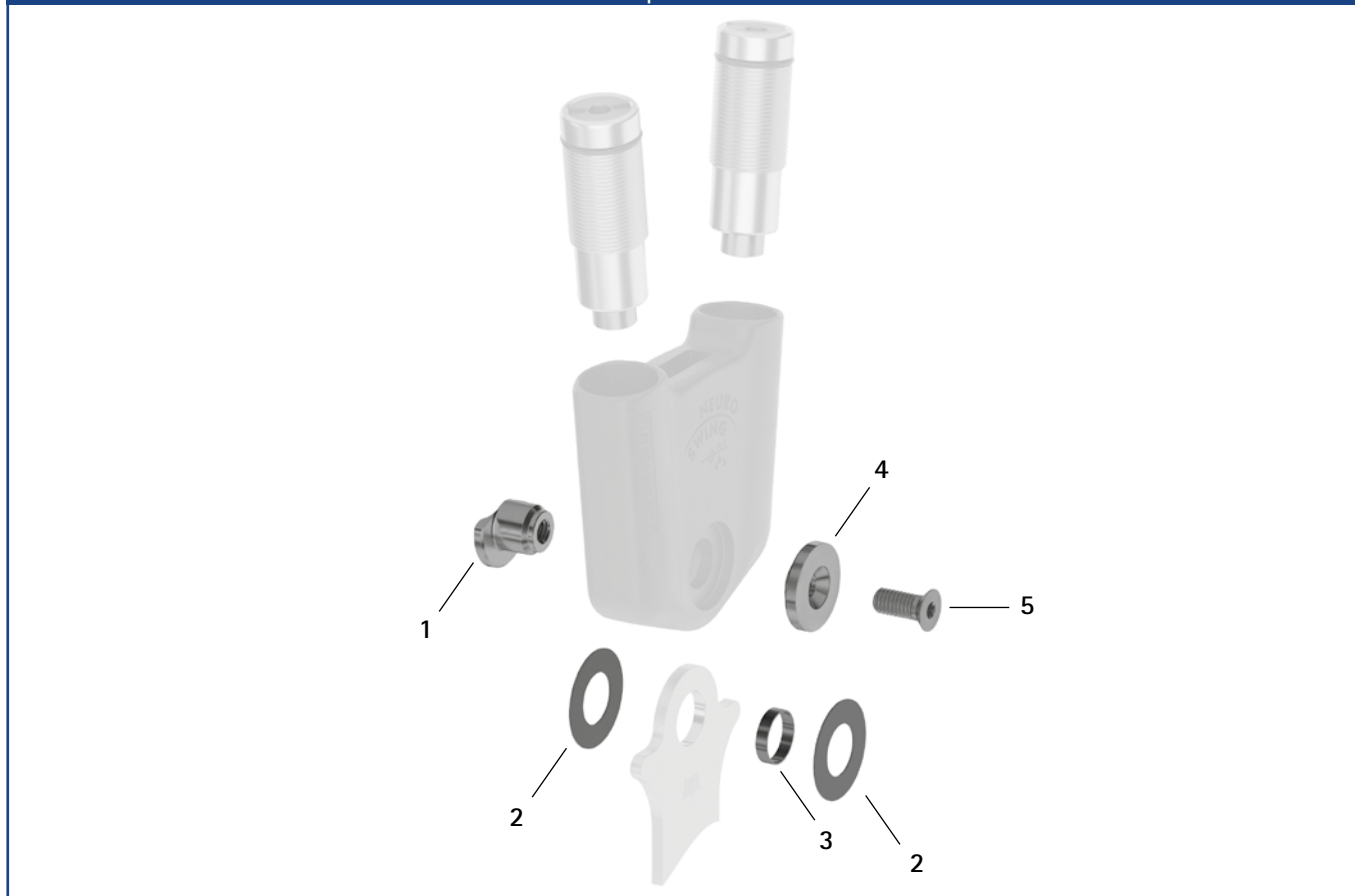


Padding Set*

Article Number for System Width		Orthosis Size	Padding Set Components
12mm, left	12mm, right		
AC5201-XXS/P/L	AC5201-XXS/P/R	XXS	PL3751-XXS/L (pre-cut padding material, black, left) PL3751-XXS/R (pre-cut padding material, black, right) KV1004-L450 (hook and loop fastener with loop) GP1000-L090 (strap pad) GP1201-L070 (strap pad holder)
14mm, left	14mm, right	Orthosis Size	Padding Set Components
AC5202-XXS/P/L	AC5202-XXS/P/R	XXS	PL3751-XXS/L (pre-cut padding material, black, left) PL3751-XXS/R (pre-cut padding material, black, right) KV1004-L450 (hook and loop fastener with loop) GP1000-L090 (strap pad) GP1201-L070 (strap pad holder)
AC5202-XS/P/L	AC5202-XS/P/R	XS	PL3752-XS/L (pre-cut padding material, black, left) PL3752-XS/R (pre-cut padding material, black, right) KV1004-L450 (hook and loop fastener with loop) GP1000-L090 (strap pad) GP1201-L070 (strap pad holder)
16mm, left	16mm, right	Orthosis Size	Padding Set Components
AC5203-S/P/L	AC5203-S/P/R	S	PL3753-S/L (pre-cut padding material, black, left) PL3753-S/R (pre-cut padding material, black, right) KV1004-L500 (hook and loop fastener with loop) GP1000-L130 (strap pad) GP1201-L100 (strap pad holder)
AC5203-M/P/L	AC5203-M/P/R	M	PL3753-M/L (pre-cut padding material, black, left) PL3753-M/R (pre-cut padding material, black, right) KV1004-L500 (hook and loop fastener with loop) GP1000-L130 (strap pad) GP1201-L100 (strap pad holder)
20mm, left	20mm, right	Orthosis Size	Padding Set Components
AC5205-L/P/L	AC5205-L/P/R	L	PL3755-L/L (pre-cut padding material, black, left) PL3755-L/R (pre-cut padding material, black, right) KV1004-L550 (hook and loop fastener with loop) GP1000-L130 (strap pad) GP1201-L100 (strap pad holder)
AC5205-XL/P/L	AC5205-XL/P/R	XL	PL3755-XL/L (pre-cut padding material, black, left) PL3755-XL/R (pre-cut padding material, black, right) KV1004-L550 (hook and loop fastener with loop) GP1000-L170 (strap pad) GP1201-L130 (strap pad holder)

* The padding set contains the pre-cut padding material (left or right depending on the order) made of xDRY towelling padding material, the hook and loop fastener with loop, the strap pad and the strap pad holder with 2 self-adhesive hook dots.

Spare Parts



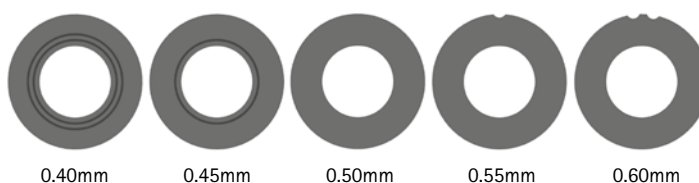
Spare Parts					
Item	Article Number for System Width				Description
	12mm	14mm	16mm	20mm	
1	SF0591-C/1	SF0592-C/1	SF0593-C/1	SF0595-C/1	bearing nut
2	GS1409-*	GS1911-*	GS2413-*	GS2815-*	sliding washer*
3	BR1009-L020	BR1211-L025	BR1312-L030	BR1514-L030	sliding bushing
4	SF0591-C/2	SF0592-C/2	SF0593-C/2	SF0595-C/2	cover disc
5	SC1404-L10	SC1405-L11	SC1406-L14	SC1406-L14	countersunk flat head screw with hexalobular socket

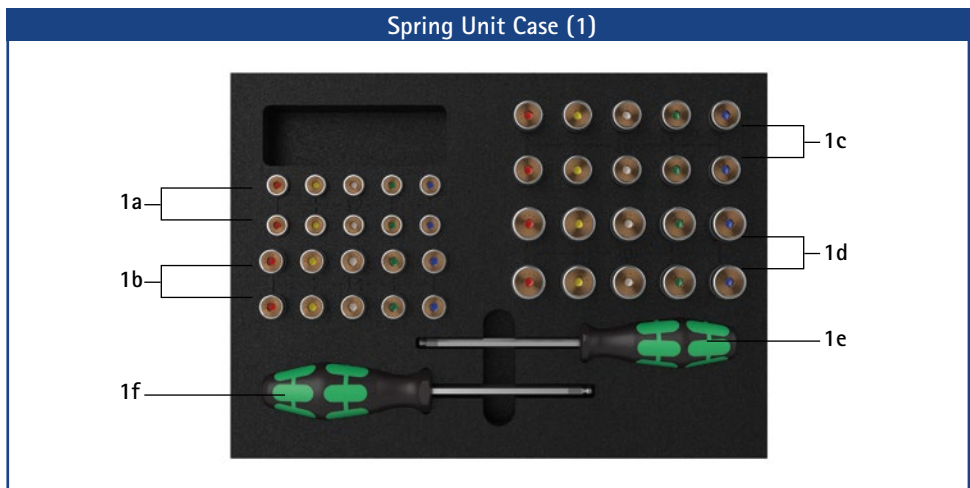
* Sliding Washers

	Article Number for System Width			
	12mm	14mm	16mm	20mm
$\varnothing = 14\text{mm}$	$\varnothing = 19\text{mm}$	$\varnothing = 24\text{mm}$	$\varnothing = 28\text{mm}$	
GS1409-040	GS1911-040	GS2413-040	GS2815-040	
GS1409-045	GS1911-045	GS2413-045	GS2815-045	
GS1409-050	GS1911-050	GS2413-050	GS2815-050	
GS1409-055	GS1911-055	GS2413-055	GS2815-055	
GS1409-060	GS1911-060	GS2413-060	GS2815-060	

The last three digits of the article number stand for the thickness of the sliding washer, e. g. GS1409-040. The thickness of this sliding washer is 0.40mm. In total, the sliding washers are available in five different thicknesses. The thickness of a sliding washer is indicated by the markings. For example, a sliding washer with two notches is 0.40mm thick, whereas a sliding washer with one notch is 0.55mm thick. Please use the sliding washer centring pin to position the sliding washer centring pin (article no.: WE5500).

Sliding Washer Centring Pin





Spring Unit Case		
Item	Article Number	Description
1	SF5800-C	1 x spring unit set in a case with tools
w/o fig.	SF5800-C/0	1 x spring unit case for filling by yourself with tools (without spring units)
1a	see table spring units	2 x of each blue, green, white, yellow and red spring unit for NEURO SWING Carbon 12mm
1b	see table spring units	2 x of each blue, green, white, yellow and red spring unit for NEURO SWING Carbon 14mm
1c	see table spring units	2 x of each blue, green, white, yellow and red spring unit for NEURO SWING Carbon 16mm
1d	see table spring units	2 x of each blue, green, white, yellow and red spring unit for NEURO SWING Carbon 20mm
1e	WZ5112-4010	1 x hexagonal screwdriver with spherical head, 4 x 100mm
1f	WZ5112-5010	1 x hexagonal screwdriver with spherical head, 5 x 100mm

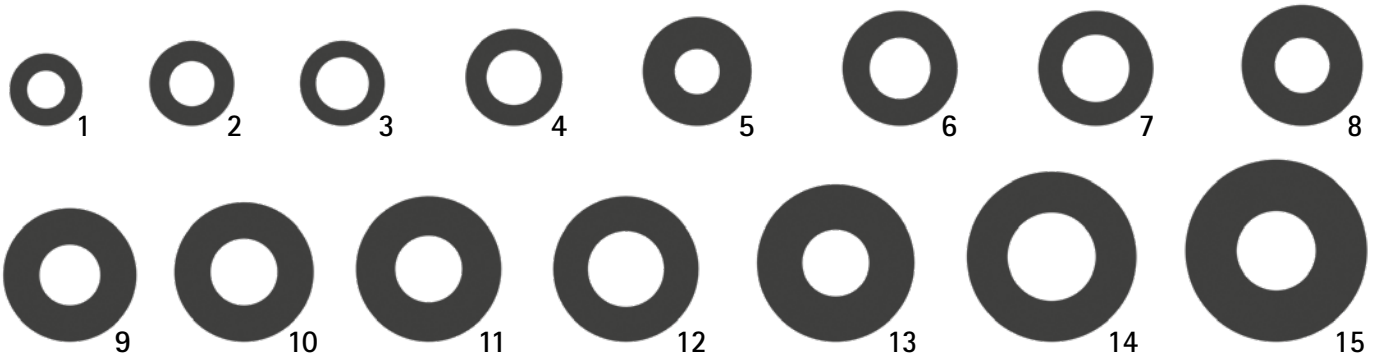
Spring Units (You Need Two of the Following Spring Units for the NEURO SWING Carbon System Ankle Joint):					
12mm	Article Number for System Width			Description	Unit
	14mm	16mm	20mm		
SF5801-C/15/03	SF5802-C/15/05	SF5803-C/15/07	SF5805-C/15/18	spring unit, blue, normal, max. 15° range of motion	piece
SF5801-C/15/06	SF5802-C/15/11	SF5803-C/15/15	SF5805-C/15/25	spring unit, green, medium, max. 15° range of motion	piece
SF5801-C/10/12	SF5802-C/09/16	SF5803-C/10/21	SF5805-C/10/40	spring unit, white, strong, max. 10° range of motion	piece
SF5801-C/10/19	SF5802-C/10/29	SF5803-C/10/31	SF5805-C/10/60	spring unit, yellow, very strong, max. 10° range of motion	piece
SF5801-C/05/33	SF5802-C/05/53	SF5803-C/05/63	SF5805-C/05/99	spring unit, red, extra strong, max. 5° range of motion	piece

Spare Parts Spring Units					
Item	Article Number for System Width				Description
	12mm	14mm	16mm	20mm	
2	VE3771-085/13	VE3771-100/12	VE3771-12/12	VE3771-15/13	O-ring for securing the spring unit*

* An additional O-ring is part of the scope of delivery of the spring units.

Spring Units Weights [g]					
Spring Unit	Article Number	System Width			
		12mm	14mm	16mm	20mm
spring unit, blue, normal, max. 15° range of motion	see table spring units	12	19	33	64
spring unit, green, medium, max. 15° range of motion	see table spring units	14	25	43	69
spring unit, white, strong, max. 10° range of motion	see table spring units	17	29	48	78
spring unit, yellow, very strong, max. 10° range of motion	see table spring units	18	29	47	86
spring unit, red, extra strong, max. 5° range of motion	see table spring units	18	28	49	86

→ Spring units have to be ordered separately.



Item	Ø	Article Number	System Joints	
			System Ankle Joints	System Knee Joints
1	12mm	GS1206-040 GS1206-045 GS1206-050 GS1206-055 GS1206-060	NEURO CLASSIC, 10mm NEURO CLASSIC-SPRING, 10mm NEURO CLASSIC-SWING, 10mm NEURO VARIO-CLASSIC 2, 10mm NEURO VARIO, 10mm NEURO VARIO 2, 10mm NEURO VARIO-SPRING 2, 10mm NEURO VARIO-SWING, 10mm NEURO SWING-CLASSIC, 10mm NEURO SWING, 10mm NEURO SWING 2, 10mm	
2	14mm	GS1407-040 GS1407-045 GS1407-050 GS1407-055 GS1407-060	NEURO CLASSIC, 12mm NEURO CLASSIC-SPRING, 12mm NEURO CLASSIC-SWING, 12mm NEURO VARIO-CLASSIC 2, 12mm NEURO VARIO, 12mm NEURO VARIO 2, 12mm NEURO VARIO-SPRING 2, 12mm NEURO VARIO-SWING, 12mm NEURO SWING-CLASSIC, 12mm NEURO SWING, 12mm NEURO SWING 2, 12mm	
3	14mm	GS1409-040 GS1409-045 GS1409-050 GS1409-055 GS1409-060	NEURO SWING Carbon, 12mm	
4	16mm	GS1609-040 GS1609-045 GS1609-050* GS1609-055 GS1609-060	NEURO VARIO, 14mm	NEURO CLASSIC zero, 12mm NEURO VARIO zero, 12mm NEURO CLASSIC, 12mm NEURO VARIO, 12mm NEURO VARIO 2, 12mm NEURO VARIO-SWING, 12mm NEURO ACTIVE articulated system side bar, 10 and 14mm NEURO LOCK, 14mm
5	18mm	GS1807-040 GS1807-045 GS1807-050 GS1807-055 GS1807-060		NEURO LOCK MAX, 12mm NEURO FLEX MAX lock function, 12mm NEURO FLEX MAX step lock function, 12mm
6	19mm	GS1910-040 GS1910-045 GS1910-050 GS1910-055 GS1910-060		NEURO CLASSIC zero, 14mm NEURO VARIO zero, 14mm NEURO CLASSIC, 14mm NEURO VARIO, 14mm NEURO VARIO 2, 14 mm NEURO VARIO-SWING, 14mm NEURO MATIC, 16mm NEURO TRONIC, 16mm NEURO LOCK, 16mm
7	19mm	GS1911-040 GS1911-045 GS1911-050 GS1911-055 GS1911-060	NEURO SWING Carbon, 14mm	

Item	Ø	Article Number	System Joints	
			System Ankle Joints	System Knee Joints
8	20mm	GS2009-040 GS2009-045 GS2009-050 GS2009-055 GS2009-060	NEURO CLASSIC, 14mm NEURO CLASSIC-SPRING, 14mm NEURO CLASSIC-SWING, 14mm NEURO VARIO-CLASSIC, 14mm NEURO VARIO-CLASSIC 2, 14mm NEURO VARIO 2, 14mm NEURO VARIO-SPRING, 14mm NEURO VARIO-SPRING 2, 14mm NEURO VARIO-SWING, 14mm NEURO SWING-CLASSIC, 14mm NEURO SWING, 14mm NEURO SWING 2, 14mm	NEURO CLASSIC Carbon, 14mm NEURO LOCK MAX, 14mm NEURO FLEX MAX lock function, 14mm NEURO FLEX MAX step lock function, 14mm NEURO LOCK Carbon, 14 mm
9	22mm	GS2210-040 GS2210-045 GS2210-050* GS2210-055 GS2210-060	NEURO CLASSIC, 16mm NEURO CLASSIC-SPRING, 16mm NEURO CLASSIC-SWING, 16mm NEURO VARIO-CLASSIC, 16mm NEURO VARIO-CLASSIC 2, 16mm NEURO VARIO, 16mm NEURO VARIO 2, 16mm NEURO VARIO-SPRING, 16mm NEURO VARIO-SPRING 2, 16mm NEURO VARIO-SWING, 16mm NEURO SWING-CLASSIC, 16mm NEURO SWING, 16mm NEURO SWING 2, 16mm	NEURO ACTIVE, 16mm NEURO ACTIVE articulated system side bar, 16 and 20mm NEURO LOCK, 20mm NEURO LOCK MAX, 16mm NEURO FLEX MAX lock function, 16mm NEURO FLEX MAX step lock function, 16mm
10	23mm	GS2311-040 GS2311-045 GS2311-050 GS2311-055 GS2311-060		NEURO CLASSIC zero, 16mm NEURO VARIO zero, 16mm NEURO CLASSIC, 16mm NEURO VARIO, 16mm NEURO VARIO 2, 16mm NEURO VARIO-SWING, 16mm NEURO CLASSIC Carbon, 16mm NEURO LOCK Carbon, 16mm
11	24mm	GS2411-040 GS2411-045 GS2411-050 GS2411-055 GS2411-060		NEURO MATIC, 20mm NEURO TRONIC, 20mm NEURO HiTRONIC, 20mm NEURO LOCK MAX, 20mm NEURO FLEX MAX lock function, 20mm NEURO FLEX MAX step lock function, 20mm
12	24mm	GS2413-040 GS2413-045 GS2413-050 GS2413-055 GS2413-060	NEURO CLASSIC Carbon, 16 mm NEURO SWING Carbon, 16mm	NEURO CLASSIC Carbon, 20mm NEURO LOCK Carbon, 20mm
13	26mm	GS2611-040 GS2611-045 GS2611-050 GS2611-055 GS2611-060	NEURO CLASSIC, 20mm NEURO CLASSIC-SPRING, 20mm NEURO CLASSIC-SWING, 20mm NEURO VARIO-CLASSIC, 20mm NEURO VARIO-CLASSIC 2, 20mm NEURO VARIO, 20mm NEURO VARIO 2, 20mm NEURO VARIO-SPRING, 20mm NEURO VARIO-SPRING 2, 20mm NEURO VARIO-SWING, 20mm NEURO SWING-CLASSIC, 20mm NEURO SWING, 20mm NEURO SWING 2, 20mm NEURO HiSWING, 20 mm	NEURO CLASSIC zero, 20mm NEURO VARIO zero, 20mm NEURO CLASSIC, 20mm NEURO VARIO, 20mm NEURO VARIO 2, 20mm NEURO VARIO-SWING, 20mm
14	28mm	GS2815-040 GS2815-045 GS2815-050 GS2815-055 GS2815-060	NEURO SWING Carbon, 20mm	
15	30 mm	GS3013-040 GS3013-045 GS3013-050 GS3013-055 GS3013-060	NEURO SWING, 24 mm	

On these pages, all sliding washers are shown in their original size. You can check which sliding washer you have by placing it on the appropriate picture. Below you find a list of the system joints for which the sliding washer can be used.

* This sliding washer is used for all system joints listed below. This is, however, the only sliding washer that is used for the NEURO ACTIVE articulated system side bar/the NEURO ACTIVE system knee joint.

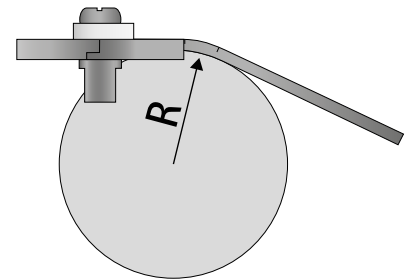
System side bars and system anchors are connecting elements. A system side bar can, for example, directly connect a system knee joint with a system ankle joint. A system anchor connects a system knee joint or a system ankle joint with the shell of a laminated orthosis. It is embedded into the laminate. System side bars can be processed using a production technique of your choice.

System side bars and system anchors are available in different system widths and materials for three production techniques which can be used for unilateral as well as bilateral constructions.

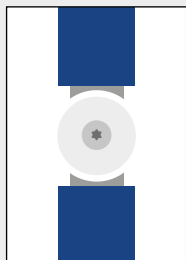
To ensure an optimum choice of system side bar and system anchor material for each orthosis type, use our Orthosis Configurator. It determines the most suitable system side bar and system anchor material based on the patient data and the desired production technique and according to the principle **As light as possible and as strong as necessary!**

Information Concerning Material Properties					
Description	Material	Strength	Breaking Elongation	Weight	Calculation of the Min. Bending Radius [R]
AL	aluminium	high	average	low	$R = 11 \times \text{material thickness}$
TI G2	titanium grade 2	high	high	average	$R = 5 \times \text{material thickness}$
TI G5	titanium grade 5	very high	low	average	$R = 10 \times \text{material thickness}$

To avoid fractures when bending a system side bar/system anchor, make sure not to fall below the radii indicated in the table. The bending radius depends on the thickness of the material (see table).

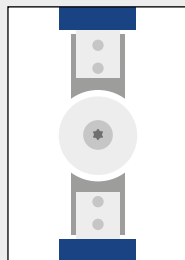


Production Techniques



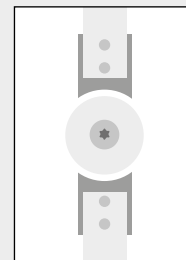
Joint Lamination/Prepreg Technique

In this production technique, the system anchors and the joints' system cases are embedded into the laminate.



Anchor Lamination/Prepreg Technique

In this production technique, only the system anchors are embedded into the laminate. The joints' system cases remain free.

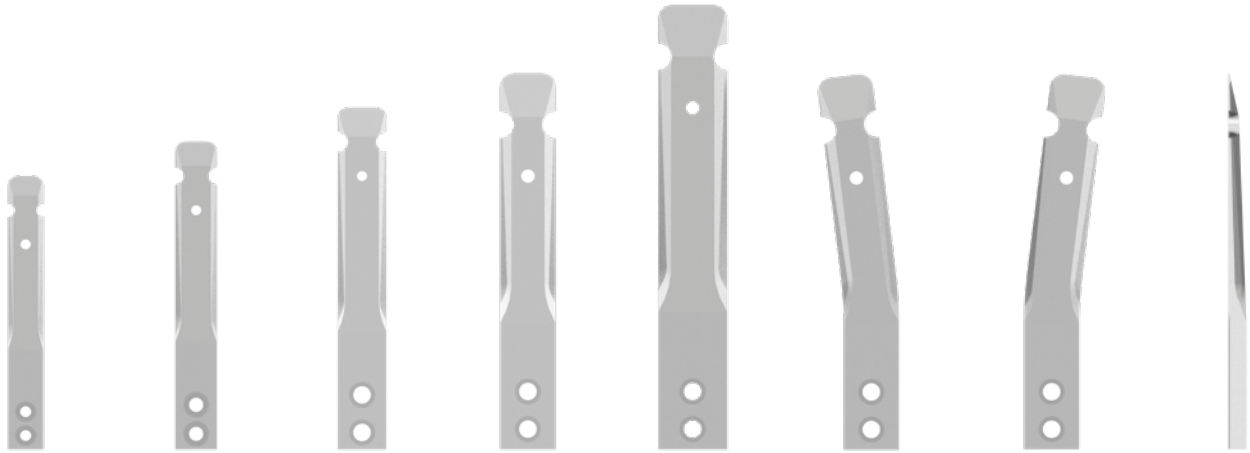


Side Bar Shell Technique

System side bars can be processed using a production technique of your choice.

All system side bars and system anchors can withstand the load only if they are processed correctly according to the production technique and mounted correctly into the orthosis. For information about system side bar and system anchor processing read the **Instructions for Use for Orthotists or Qualified/Trained Experts System Side Bars and System Anchors (PB1000-SA-DE/GB)** which is included in the scope of delivery.

You will find detailed information about our production techniques in the section "Online Tutorials" and "Producing the Orthosis" on our website www.fior-gentz.com.



straight 10mm fig. 1 straight 12mm fig. 2 straight 14mm fig. 3 straight 16mm fig. 4 straight 20mm fig. 5 calf curved left fig. 6 calf curved right fig. 7 side view straight

Aluminium System Anchors*				
Fig.	Article Number	Description	Length x Width x Thickness [mm]	Weight [g]
1	SA1040-AL	system anchor for 10mm system joints, straight	80 x 10 x 3	5
2	SA1041-AL	system anchor for 12mm system joints, straight	90 x 12 x 3.5	7
3	SA1042-AL	system anchor for 14mm system joints, straight	100 x 14 x 4	11
4	SA1063-AL	system anchor for 16mm system joints, straight	110 x 16 x 5	17
5	SA1085-AL	system anchor for 20mm system joints, straight	130 x 20 x 6	30
6	SA1241-L/AL	system anchor for 12mm system joints, calf curved left	90 x 12 x 3.5	7
6	SA1242-L/AL	system anchor for 14mm system joints, calf curved left	100 x 14 x 4	11
6	SA1263-L/AL	system anchor for 16mm system joints, calf curved left	110 x 16 x 5	17
6	SA1285-L/AL	system anchor for 20mm system joints, calf curved left	130 x 20 x 6	30
7	SA1241-R/AL	system anchor for 12mm system joints, calf curved right	90 x 12 x 3.5	7
7	SA1242-R/AL	system anchor for 14mm system joints, calf curved right	100 x 14 x 4	11
7	SA1263-R/AL	system anchor for 16mm system joints, calf curved right	110 x 16 x 5	17
7	SA1285-R/AL	system anchor for 20mm system joints, calf curved right	130 x 20 x 6	30

*The scope of delivery of a system anchor always contains two fastening screws.

Fastening Screw for System Side Bars and System Anchors (Fig. 8)			
Article Number	System Width	Description	Unit
SC5303-L05	10mm	raised countersunk head screw with hexalobular socket, M3 x 5	piece
SC5404-L06	12mm	raised countersunk head screw with hexalobular socket, M4 x 6	piece
SC5405-L08	14 and 16mm	raised countersunk head screw with hexalobular socket, M5 x 8	piece
SC5405-L09	20mm	raised countersunk head screw with hexalobular socket, M5 x 9	piece





straight 10mm
fig. 9

straight 12mm
fig. 10

straight 14mm
fig. 11

straight 16mm
fig. 12

straight 20mm
fig. 13

calf curved left
fig. 14

calf curved right
fig. 15

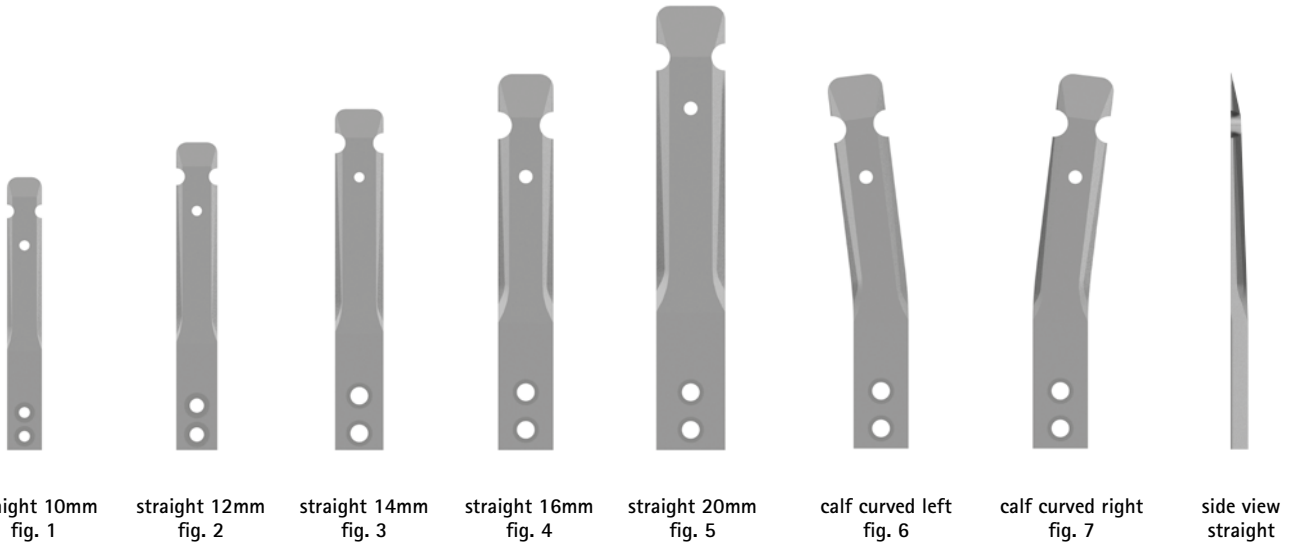
Aluminium System Side Bars*				
Fig.	Article Number	Description	Length x Width x Thickness [mm]	Weight [g/cm]
9	SS1040-AL	system side bar for 10mm system joints, straight	200 x 10 x 3	0.8
10	SS1041-AL	system side bar for 12mm system joints, straight	225 x 12 x 3.5	1.1
11	SS1042-AL	system side bar for 14mm system joints, straight	250 x 14 x 4	1.5
12	SS1063-AL	system side bar for 16mm system joints, straight	410 x 16 x 5	2.1
13	SS1085-AL	system side bar for 20mm system joints, straight	480 x 20 x 6	3.1
14	SS1241-L/AL	system side bar for 12mm system joints, calf curved left	265 x 12 x 3.5	1.1
14	SS1242-L/AL	system side bar for 14mm system joints, calf curved left	300 x 14 x 4	1.5
14	SS1263-L/AL	system side bar for 16mm system joints, calf curved left	450 x 16 x 5	2.1
14	SS1285-L/AL	system side bar for 20mm system joints, calf curved left	530 x 20 x 6	3.1
15	SS1241-R/AL	system side bar for 12mm system joints, calf curved right	265 x 12 x 3.5	1.1
15	SS1242-R/AL	system side bar for 14mm system joints, calf curved right	300 x 14 x 4	1.5
15	SS1263-R/AL	system side bar for 16mm system joints, calf curved right	450 x 16 x 5	2.1
15	SS1285-R/AL	system side bar for 20mm system joints, calf curved right	530 x 20 x 6	3.1

* The scope of delivery of a system side bar always contains two fastening screws.

One-Metre System Side Bars				
Fig.	Article Number	Description	Length x Thickness [mm]	Weight [g/cm]
similar to fig. 10 without bore	SS1041-AL/00	one-metre system side bar for 12mm system joints	1000 x 3.5	1.1
similar to fig. 11 without bore	SS1042-AL/00	one-metre system side bar for 14mm system joints	1000 x 4	1.5
similar to fig. 12 without bore	SS1063-AL/00	one-metre system side bar for 16mm system joints	1000 x 5	2.1
similar to fig. 13 without bore	SS1085-AL/00	one-metre system side bar for 20mm system joints	1000 x 6	3.1

Fastening Screw for System Side Bars and System Anchors (Fig. 16)			
Article Number	System Width	Description	Unit
SC5303-L05	10mm	raised countersunk head screw with hexalobular socket, M3 x 5	piece
SC5404-L06	12mm	raised countersunk head screw with hexalobular socket, M4 x 6	piece
SC5405-L08	14 and 16mm	raised countersunk head screw with hexalobular socket, M5 x 8	piece
SC5405-L09	20mm	raised countersunk head screw with hexalobular socket, M5 x 9	piece





Titanium Grade 2 System Anchors*				
Fig.	Article Number	Description	Length x Width x Thickness [mm]	Weight [g]
1	SA1040-TI	system anchor for 10mm system joints, straight	80 x 10 x 3	8
2	SA1041-TI	system anchor for 12mm system joints, straight	90 x 12 x 3.5	12
3	SA1042-TI	system anchor for 14mm system joints, straight	100 x 14 x 4	18
4	SA1063-TI	system anchor for 16mm system joints, straight	110 x 16 x 5	28
5	SA1085-TI	system anchor for 20mm system joints, straight	130 x 20 x 6	51
6	SA1241-L/TI	system anchor for 12mm system joints, calf curved left	90 x 12 x 3.5	12
6	SA1242-L/TI	system anchor for 14mm system joints, calf curved left	100 x 14 x 4	18
6	SA1263-L/TI	system anchor for 16mm system joints, calf curved left	110 x 16 x 5	28
6	SA1285-L/TI	system anchor for 20mm system joints, calf curved left	130 x 20 x 6	51
7	SA1241-R/TI	system anchor for 12mm system joints, calf curved right	90 x 12 x 3.5	12
7	SA1242-R/TI	system anchor for 14mm system joints, calf curved right	100 x 14 x 4	18
7	SA1263-R/TI	system anchor for 16mm system joints, calf curved right	110 x 16 x 5	28
7	SA1285-R/TI	system anchor for 20mm system joints, calf curved right	130 x 20 x 6	51

* The scope of delivery of a system anchor always contains two fastening screws.

Fastening Screw for System Side Bars and System Anchors (Fig. 8)			
Article Number	System Width	Description	Unit
SC5303-L05	10mm	raised countersunk head screw with hexalobular socket, M3 x 5	piece
SC5404-L06	12mm	raised countersunk head screw with hexalobular socket, M4 x 6	piece
SC5405-L08	14 and 16mm	raised countersunk head screw with hexalobular socket, M5 x 8	piece
SC5405-L09	20mm	raised countersunk head screw with hexalobular socket, M5 x 9	piece





straight 10mm
fig. 9



straight 12mm
fig. 10



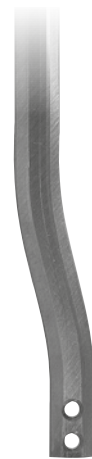
straight 14mm
fig. 11



straight 16mm
fig. 12



straight 20mm
fig. 13



calf curved left
fig. 14



calf curved right
fig. 15

Titanium Grade 2 System Side Bars*

Fig.	Article Number	Description	Length x Width x Thickness [mm]	Weight [g/cm]
9	SS1040-TI	system side bar for 10mm system joints, straight	200 x 10 x 3	1.3
10	SS1041-TI	system side bar for 12mm system joints, straight	225 x 12 x 3.5	1.8
11	SS1042-TI	system side bar for 14mm system joints, straight	250 x 14 x 4	2.4
12	SS1063-TI	system side bar for 16mm system joints, straight	410 x 16 x 5	3.4
13	SS1085-TI	system side bar for 20mm system joints, straight	480 x 20 x 6	5.0
14	SS1241-L/TI	system side bar for 12mm system joints, calf curved left	265 x 12 x 3.5	1.8
14	SS1242-L/TI	system side bar for 14mm system joints, calf curved left	300 x 14 x 4	2.4
14	SS1263-L/TI	system side bar for 16mm system joints, calf curved left	450 x 16 x 5	3.4
14	SS1285-L/TI	system side bar for 20mm system joints, calf curved left	530 x 20 x 6	5.0
15	SS1241-R/TI	system side bar for 12mm system joints, calf curved right	265 x 12 x 3.5	1.8
15	SS1242-R/TI	system side bar for 14mm system joints, calf curved right	300 x 14 x 4	2.4
15	SS1263-R/TI	system side bar for 16mm system joints, calf curved right	450 x 16 x 5	3.4
15	SS1285-R/TI	system side bar for 20mm system joints, calf curved right	530 x 20 x 6	5.0

* The scope of delivery of a system side bar always contains two fastening screws.

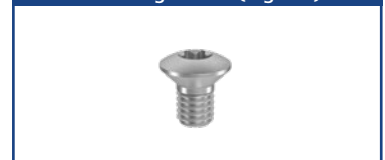
One-Metre System Side Bars

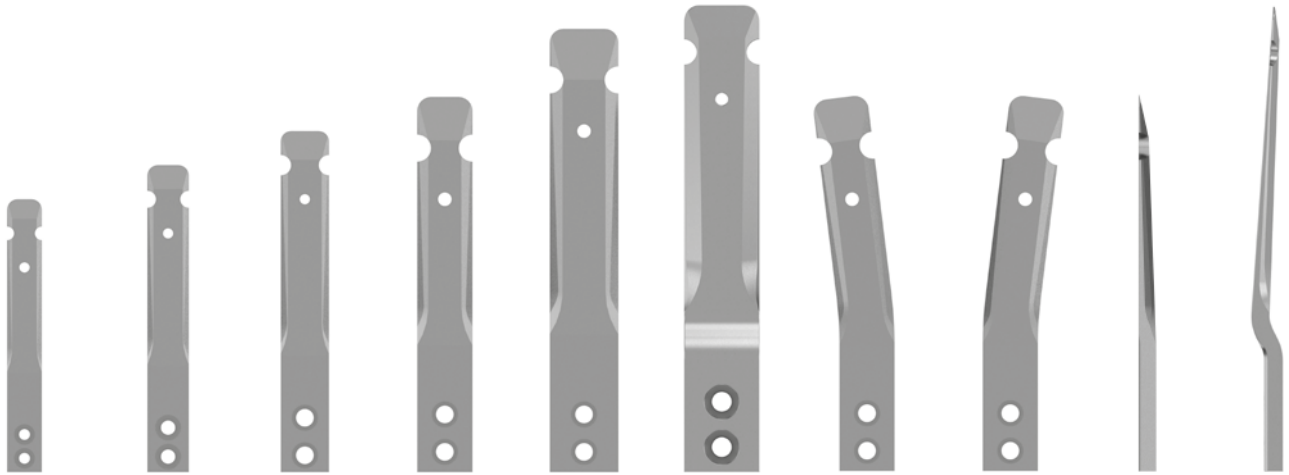
Fig.	Article Number	Description	Length x Thickness [mm]	Weight [g/cm]
similar to fig. 10 without bore	SS1041-TI/00	one-metre system side bar for 12mm system joints	1000 x 3.5	1.8
similar to fig. 11 without bore	SS1042-TI/00	one-metre system side bar for 14mm system joints	1000 x 4	2.4
similar to fig. 12 without bore	SS1063-TI/00	one-metre system side bar for 16mm system joints	1000 x 5	3.5
similar to fig. 13 without bore	SS1085-TI/00	one-metre system side bar for 20mm system joints	1000 x 6	4.5

Fastening Screw for System Side Bars and System Anchors (Fig. 16)

Article Number	System Width	Description	Unit
SC5303-L05	10mm	raised countersunk head screw with hexalobular socket, M3 x 5	piece
SC5404-L06	12mm	raised countersunk head screw with hexalobular socket, M4 x 6	piece
SC5405-L08	14 and 16mm	raised countersunk head screw with hexalobular socket, M5 x 8	piece
SC5405-L09	20mm	raised countersunk head screw with hexalobular socket, M5 x 9	piece

Fastening Screw (Fig. 16)





straight 10mm fig. 1 straight 12mm fig. 2 straight 14mm fig. 3 straight 16mm fig. 4 straight 20mm fig. 5 bent 24mm fig. 6 calf curved left fig. 7 calf curved right fig. 8 side view straight side view bent

Titanium Grade 5 System Anchors*

Fig.	Article Number	Description	Length x Width x Thickness [mm]	Weight [g]
1	SA2040-TI	system anchor for 10mm system joints, straight	80 x 10 x 3	8
2	SA2041-TI	system anchor for 12mm system joints, straight	90 x 12 x 3.5	12
3	SA2042-TI	system anchor for 14mm system joints, straight	100 x 14 x 4	18
4	SA2063-TI	system anchor for 16mm system joints, straight	110 x 16 x 5	25
5	SA2085-TI	system anchor for 20mm system joints, straight	130 x 20 x 6	41
6	SA2197-TI	system anchor for 24mm system joints, bent	150 x 24 x 6	66
7	SA2241-L/TI	system anchor for 12mm system joints, calf curved left	90 x 12 x 3.5	12
7	SA2242-L/TI	system anchor for 14mm system joints, calf curved left	100 x 14 x 4	18
7	SA2263-L/TI	system anchor for 16mm system joints, calf curved left	110 x 16 x 5	25
7	SA2285-L/TI	system anchor for 20mm system joints, calf curved left	130 x 20 x 6	41
8	SA2241-R/TI	system anchor for 12mm system joints, calf curved right	90 x 12 x 3.5	12
8	SA2242-R/TI	system anchor for 14mm system joints, calf curved right	100 x 14 x 4	18
8	SA2263-R/TI	system anchor for 16mm system joints, calf curved right	110 x 16 x 5	25
8	SA2285-R/TI	system anchor for 20mm system joints, calf curved right	130 x 20 x 6	41

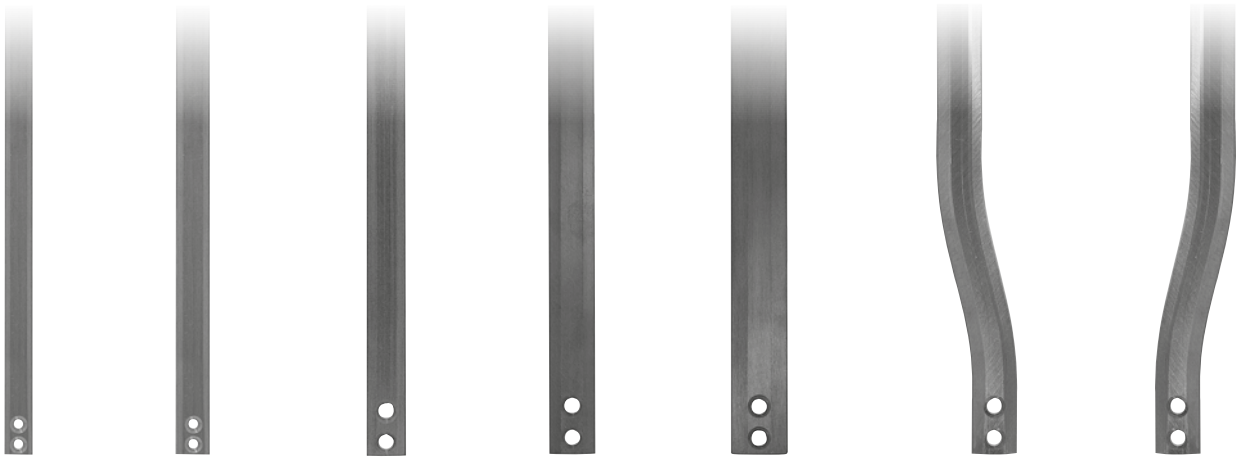
* The scope of delivery of a system anchor always contains two fastening screws.

Fastening Screw for System Side Bars and System Anchors (Fig. 9)

Article Number	System Width	Description	Unit
SC5303-L05	10mm	raised countersunk head screw with hexalobular socket, M3 x 5	piece
SC5404-L06	12mm	raised countersunk head screw with hexalobular socket, M4 x 6	piece
SC5405-L08	14 and 16mm	raised countersunk head screw with hexalobular socket, M5 x 8	piece
SC5405-L09	20mm	raised countersunk head screw with hexalobular socket, M5 x 9	piece
SC5406-L10	24mm	raised countersunk head screw with hexalobular socket, M6 x 10	piece

Fastening Screw (Fig. 9)



straight 10mm
fig. 10straight 12mm
fig. 11straight 14mm
fig. 12straight 16mm
fig. 13straight 20mm
fig. 14calf curved left
fig. 15calf curved right
fig. 16

Titanium Grade 5 System Side Bars*

Fig.	Article Number	Description	Length x Width x Thickness [mm]	Weight [g/cm]
10	SS2040-TI	system side bar for 10mm system joints, straight	200 x 10 x 3	1.3
11	SS2041-TI	system side bar for 12mm system joints, straight	225 x 12 x 3.5	1.8
12	SS2042-TI	system side bar for 14mm system joints, straight	250 x 14 x 4	2.4
13	SS2063-TI	system side bar for 16mm system joints, straight	410 x 16 x 4.5	3.0
14	SS2085-TI	system side bar for 20mm system joints, straight	480 x 20 x 6	4.1
15	SS2241-L/TI	system side bar for 12mm system joints, calf curved left	265 x 12 x 3.5	1.8
15	SS2242-L/TI	system side bar for 14mm system joints, calf curved left	300 x 14 x 4	2.4
15	SS2263-L/TI	system side bar for 16mm system joints, calf curved left	450 x 16 x 4.5	3.0
15	SS2285-L/TI	system side bar for 20mm system joints, calf curved left	530 x 20 x 6	4.1
16	SS2241-R/TI	system side bar for 12mm system joints, calf curved right	265 x 12 x 3.5	1.8
16	SS2242-R/TI	system side bar for 14mm system joints, calf curved right	300 x 14 x 4	2.4
16	SS2263-R/TI	system side bar for 16mm system joints, calf curved right	450 x 16 x 4.5	3.0
16	SS2285-R/TI	system side bar for 20mm system joints, calf curved right	530 x 20 x 6	4.1

* The scope of delivery of a system side bar always contains two fastening screws.

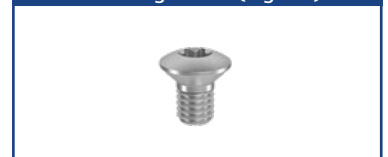
One-Metre System Side Bars

Fig.	Article Number	Description	Length x Thickness [mm]	Weight [g/cm]
similar to fig. 11 without bore	SS2041-TI/00	one-metre system side bar for 12mm system joints	1000 x 3.5	1.8
similar to fig. 12 without bore	SS2042-TI/00	one-metre system side bar for 14mm system joints	1000 x 4	2.4
similar to fig. 13 without bore	SS2063-TI/00	one-metre system side bar for 16mm system joints	1000 x 5	3.1
similar to fig. 14 without bore	SS2085-TI/00	one-metre system side bar for 20mm system joints	1000 x 6	4.2

Fastening Screw for System Side Bars and System Anchors (Fig. 17)

Article Number	System Width	Description	Unit
SC5303-L05	10mm	raised countersunk head screw with hexalobular socket, M3 x 5	piece
SC5404-L06	12mm	raised countersunk head screw with hexalobular socket, M4 x 6	piece
SC5405-L08	14 and 16mm	raised countersunk head screw with hexalobular socket, M5 x 8	piece
SC5405-L09	20mm	raised countersunk head screw with hexalobular socket, M5 x 9	piece

Fastening Screw (Fig. 17)



System Side Bars and System Anchors for Carbon System Joints

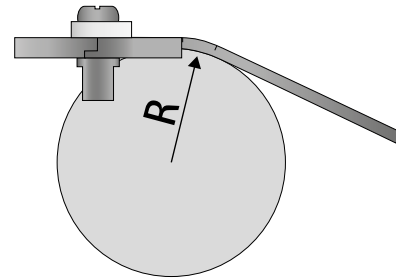
System side bars and system anchors are connecting elements. The system anchor for water-resistant carbon system joints connects the system joint to the shell of a laminated orthosis. We developed this anchor for the production of a laminated orthosis using the anchor lamination technique. In this production technique, the system anchors are embedded into the laminate. System side bars can be processed using a production technique of your choice.

The system anchor for water-resistant carbon system joints can be used for unilateral as well as bilateral constructions.

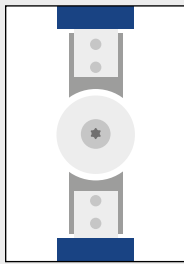
Information Concerning Material Characteristics

Description	Material	Strength	Breaking Elongation	Weight	Calculation of the Min. Bending Radius [R]
AL	aluminium	high	average	low	$R = 11 \times \text{material thickness}$

To avoid fractures when bending a system anchor, make sure not to fall below the radii indicated in the table. The bending radius depends on the thickness of the material (see table).

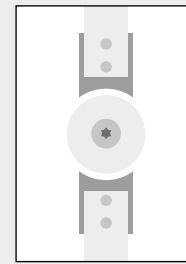


Production Techniques



Anchor Lamination/Prepreg Technique

In this production technique, only the system anchors are embedded into the laminate. The joints' system cases remain free.

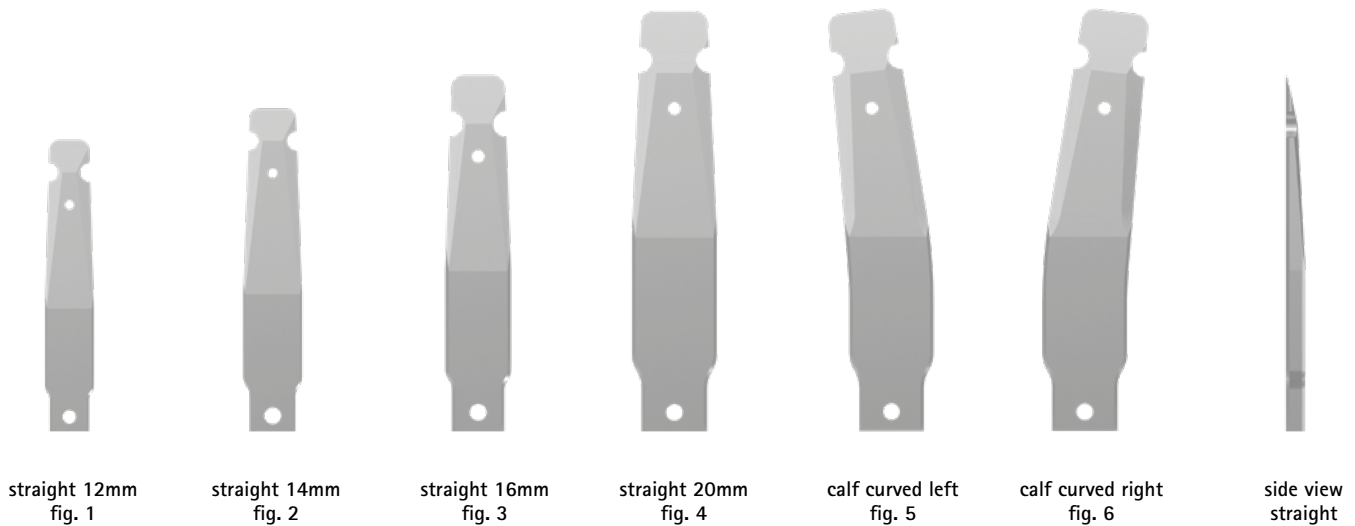


Side Bar Shell Technique

System side bars can be processed using a production technique of your choice.

All system side bars and system anchors can withstand the load only if they are processed correctly according to the production technique and mounted correctly into the orthosis. For information about the processing of system side bars and system anchors for water-resistant carbon system joints, read the Instructions for Use for Qualified Specialists in Orthopaedic Technology System Side Bars and System Anchors for Carbon System Joints (PB5000-SA-DE/GB) which is included in the scope of delivery.

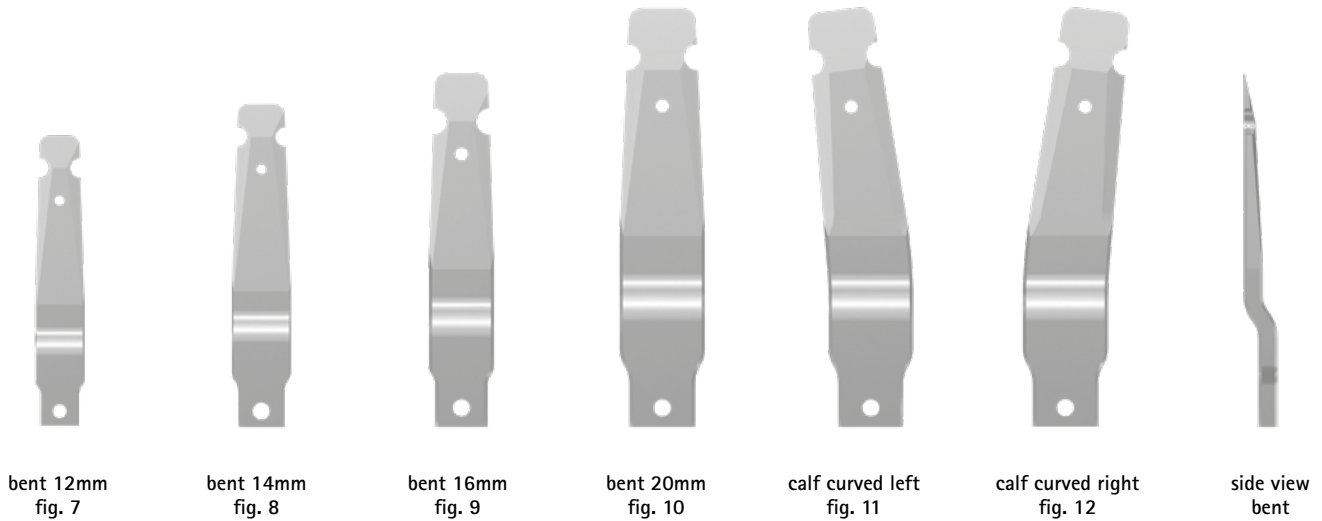
You will find detailed information about our production techniques in the section "Online Tutorials" and "Producing the Orthosis" on our website www.fior-gentz.com.



Straight System Anchors for the NEURO SWING Carbon System Ankle Joint				
Fig.	Article Number	Description	Length x Width x Thickness [mm]	Weight [g]
1	SA5051-AL	system anchor for 12mm system joints, straight	90 x 15 x 4.7	12
2	SA5052-AL	system anchor for 14mm system joints, straight	100 x 18 x 4.9	17
3	SA5063-AL	system anchor for 16mm system joints, straight	110 x 20 x 5.9	25
4	SA5075-AL	system anchor for 20mm system joints, straight	130 x 26 x 7	47

Straight System Anchors for the NEURO CLASSIC Carbon System Ankle Joint				
Fig.	Article Number	Description	Length x Width x Thickness [mm]	Weight [g]
3	SA5063-AL	system anchor for 16mm system joints, straight	110 x 20 x 5,9	25

Straight System Anchors for the NEURO LOCK Carbon and the NEURO CLASSIC Carbon System Knee Joints				
Fig.	Article Number	Description	Length x Width x Thickness [mm]	Weight [g]
2	SA5052-AL	system anchor for 14mm system joints, straight	100 x 18 x 4.9	17
3	SA5063-AL	system anchor for 16mm system joints, straight	110 x 20 x 5.9	25
4	SA5075-AL	system anchor for 20mm system joints, straight	130 x 26 x 7	47
5	SA5252-L/AL	system anchor for 14mm system joints, calf curved left, straight	100 x 18 x 4.9	17
5	SA5263-L/AL	system anchor for 16mm system joints, calf curved left, straight	110 x 20 x 5.9	25
5	SA5275-L/AL	system anchor for 20mm system joints, calf curved left, straight	130 x 26 x 7	47
6	SA5252-R/AL	system anchor for 14mm system joints, calf curved right, straight	100 x 18 x 4.9	17
6	SA5263-R/AL	system anchor for 16mm system joints, calf curved right, straight	110 x 20 x 5.9	25
6	SA5275-R/AL	system anchor for 20mm system joints, calf curved right, straight	130 x 26 x 7	47



Bent System Anchors for the NEURO SWING Carbon System Ankle Joint				
Fig.	Article Number	Description	Length x Width x Thickness [mm]	Weight [g]
7	SA5151-AL	system anchor for 12mm system joints, bent	90 x 15 x 4.7	12
8	SA5152-AL	system anchor for 14mm system joints, bent	100 x 18 x 4.9	17
9	SA5163-AL	system anchor for 16mm system joints, bent	110 x 20 x 5.9	25
10	SA5175-AL	system anchor for 20mm system joints, bent	130 x 26 x 7	47

Bent System Anchors for the NEURO CLASSIC Carbon System Ankle Joint				
Fig.	Article Number	Description	Length x Width x Thickness [mm]	Weight [g]
9	SA5163-AL	system anchor for 16mm system joints, bent	110 x 20 x 5.9	25

Bent System Anchors for the NEURO LOCK Carbon and the NEURO CLASSIC Carbon System Knee Joints				
Fig.	Article Number	Description	Length x Width x Thickness [mm]	Weight [g]
8	SA5152-AL	system anchor for 14mm system joints, bent	90 x 15 x 4.7	12
9	SA5163-AL	system anchor for 16mm system joints, bent	110 x 20 x 5.9	25
10	SA5175-AL	system anchor for 20mm system joints, bent	130 x 26 x 7	47
11	SA5352-L/AL	system anchor for 14mm system joints, calf curved left, bent	110 x 20 x 5.9	17
11	SA5363-L/AL	system anchor for 16mm system joints, calf curved left, bent	110 x 20 x 5.9	25
11	SA5375-L/AL	system anchor for 20mm system joints, calf curved left, bent	130 x 26 x 7	47
12	SA5352-R/AL	system anchor for 14mm system joints, calf curved right, bent	100 x 18 x 4.9	17
12	SA5363-R/AL	system anchor for 16mm system joints, calf curved right, bent	110 x 20 x 5.9	25
12	SA5375-R/AL	system anchor for 20mm system joints, calf curved right, bent	130 x 26 x 7	47



straight 12mm
fig. 13



straight 14mm
fig. 14



straight 16mm
fig. 15



straight 20mm
fig. 16

Straight System Side Bars for Carbon System Knee and Ankle Joints

Fig.	Article Number	Description	Length x Width x Thickness [mm]	Weight [g/cm]
13	SS5051-AL	system side bar for 12mm system joints, straight	265 x 15 x 4.6	1.6
14	SS5052-AL	system side bar for 14mm system joints, straight	300 x 18 x 4.9	1.9
15	SS5063-AL	system side bar for 16mm system joints, straight	450 x 20 x 5.9	2.6
16	SS5075-AL	system side bar for 20mm system joints, straight	530 x 26 x 6.9	3.8



bent 12mm
fig. 17



bent 14mm
fig. 18



bent 16mm
fig. 19

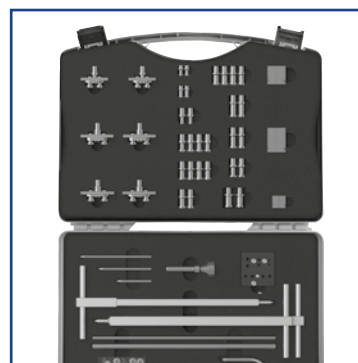


bent 20mm
fig. 20

Bent System Side Bars for Carbon System Knee and Ankle Joints

Fig.	Article Number	Description	Length x Width x Thickness [mm]	Weight [g/cm]
17	SS5151-AL	system side bar for 12mm system joints, bent	265 x 15 x 4.6	1.6
18	SS5152-AL	system side bar for 14mm system joints, bent	300 x 18 x 4.9	1.9
19	SS5163-AL	system side bar for 16mm system joints, bent	450 x 20 x 5.9	2.6
20	SS5175-AL	system side bar for 20mm system joints, bent	530 x 26 x 6.9	3.8

FIOR & GENTZ Tools



Catalogue Pages of the Tools

Section	Page
Making the Negative Cast	K2
Positioning the Pivot Points	K3
Tools for the Parallel Alignment of the System Ankle Joints and Tools' Assignment	K5
Tools for the Parallel Alignment of the System Knee Joints/Articulated System Side Bars and Tools' Assignment	K7
Spare Parts for the Tools	K9
Other Tools	K11
Tool Case	K13

h-Cast



e-Cast



h-Cast		
Fig.	Article Number	Description
1	WE3200	h-Cast
1a	WE3200-1/5	cover plate
1b	WE3200-1/4	plate with tenon, 5mm
1c	WE3200-1/3	plate with tenon, 10mm
1d	WE3200-1/2	plate with tenon, 20mm
1e	WE3200-1/1	base plate with tenon

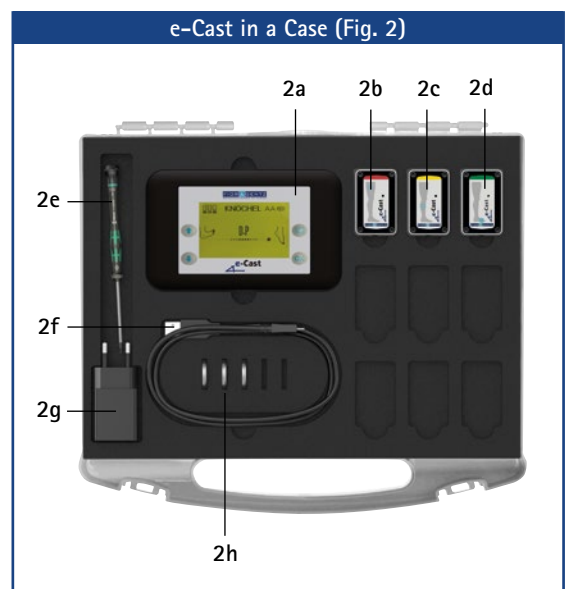
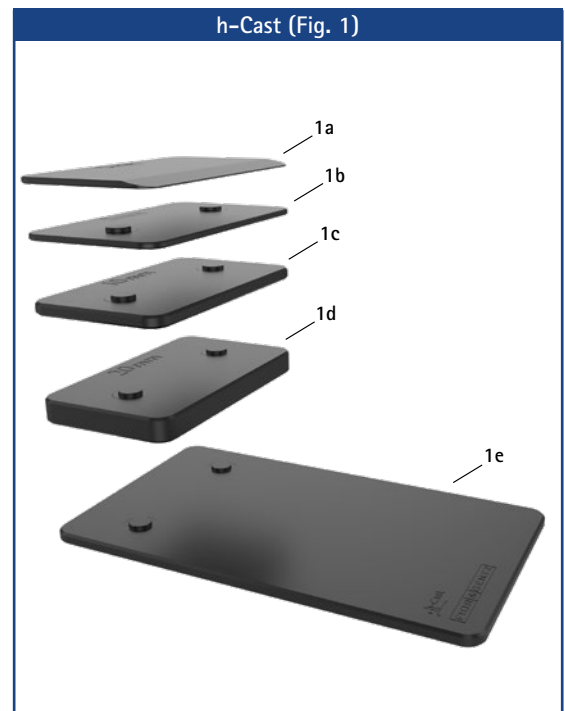
Application: to determine a heel height/leg length discrepancy.
For positioning the patient in a physiological position.

e-Cast in a Case		
Fig.	Article Number	Description
2	WE3400	e-Cast in a case
2a	ET3400-T	operator device
2b	ET3410-WE	sensor for the thigh
2c	ET3420-WE	sensor for the lower leg
2d	ET3430-WE	sensor for the foot
2e	WZ2067-T08	screwdriver, hexalobular socket, T8 x 60mm
2f	ET0710	cable
2g	ET0780	adapter
2h	ET0830-2450*	3 x batteries for e-Cast sensors*
w/o fig.	KL4200	glue dots for the fixation of the sensors, 48 pieces
w/o fig.	KL4601	washers for marking the mechanical pivot points, self-adhesive, 28 pieces

* When reordering the article, only one battery is delivered as a sales unit.

Application: for checking the joint angles during the making of the negative cast

e-Cast Accessory Parts		
Fig.	Article Number	Description
2b, 2c and 2d	ET3400-WE	e-Cast sensor set for making the negative cast

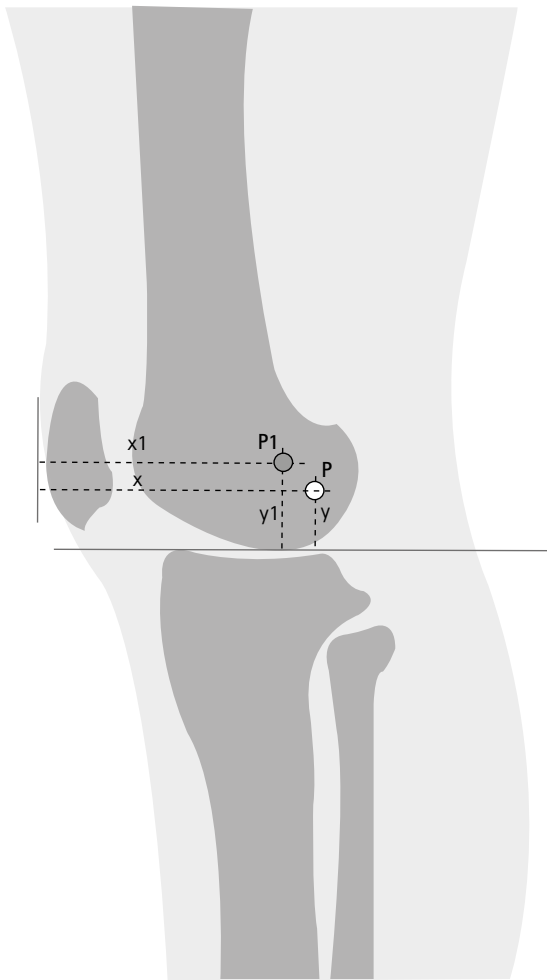


Knee joint: the position of the mechanical pivot point at knee height is calculated by the Orthosis Configurator using the ap measurement.

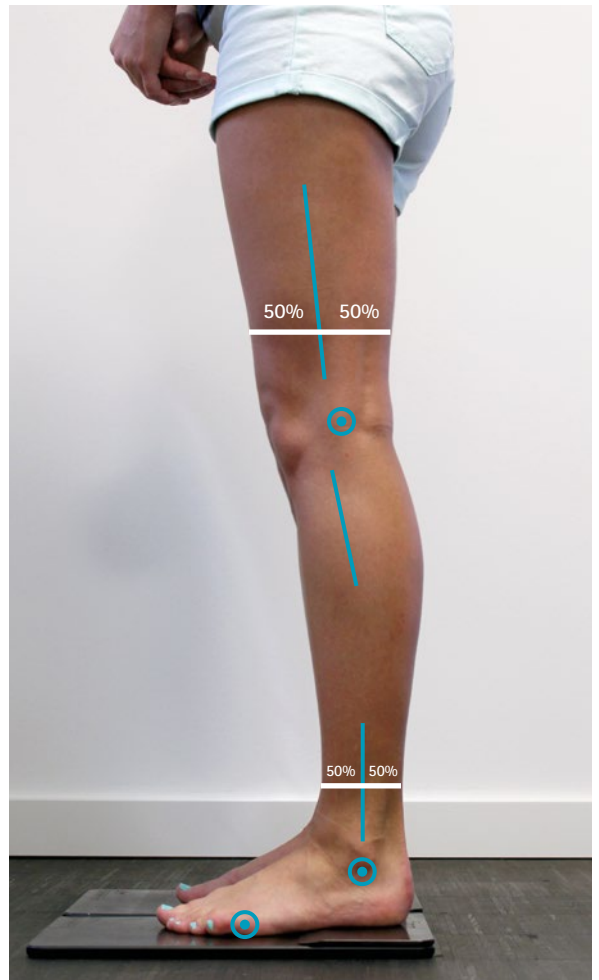
With the Orthosis Configurator, the exact anatomical compromise pivot point according to Nietert P1 and the exact mechanical pivot point P can be calculated for your planned orthosis. We recommend placing the orthotic knee joint exactly on the calculated mechanical pivot point P. To do so, mark point P on the patient's leg according to our production technique. Later, the alignment aid (see catalogue page J4) is pierced through this point P on the negative cast.

Why Does the Mechanical Pivot Point P Differ from the Anatomical Compromise Pivot Point According to Nietert P1?

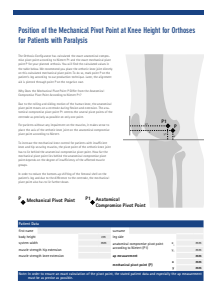
Due to the rolling and sliding motion of the human knee, the anatomical pivot point moves on a centrode during flexion and extension. The anatomical compromise pivot point P1 centres the individual pivot points of the centrode as precisely as possible on only one point. For patients without any impairment on the muscles, it makes sense to place the axis of the orthotic knee joint on the anatomical compromise pivot point according to Nietert. To increase the mechanical knee control for patients with insufficient knee- and hip-securing muscles, the pivot point of the orthotic knee joint has to lie behind the anatomical compromise pivot point. How far the mechanical pivot point lies behind the anatomical compromise pivot point depends on the degree of insufficiency of the affected muscle groups. In order to reduce the bottom-up shifting of the femoral shell on the patient's leg and due to the difference to the centrode, the mechanical pivot point also has to lie further down.



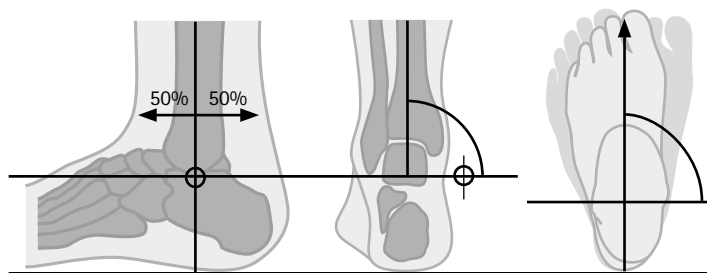
P1 = anatomical compromise pivot point
P = mechanical pivot point



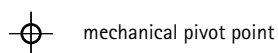
When the pivot point is optimally positioned, the course of the system side bars is approximately 50% due to the integrated posterior offset of the system knee joints. Please use our Orthosis Configurator:



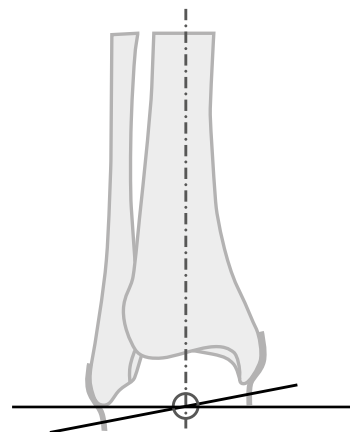
Ankle joint: correct positioning of the mechanical pivot point at ankle height according to the study of Isman/Inman*



The mechanical axis is positioned in the frontal plane at the same level as the distal end of the fibula. The mechanical axis at ankle height is aligned to the centre of the lower leg and is parallel to the ground and perpendicular to the direction of movement under consideration of the individual external rotation.



* Isman RE, Inman VT (1969): Anthropometric Studies of the Human Foot and Ankle. Biomechanics Laboratory University of California.



anatomical axis at ankle height in the frontal plane (Isman and Inman, 1969)

In the recommended position, the mechanical axis intersects all of the functional axes (anatomical axis at ankle height and tibial longitudinal axis). Unintentional shifting of the orthosis and additional load on the ligamentous apparatus are kept to a minimum through the compromise axis. Depending on the footwear, it may be necessary to position the pivot point higher. This can lead to an impaired function of the mechanical joint due to the resulting movement of the orthosis.

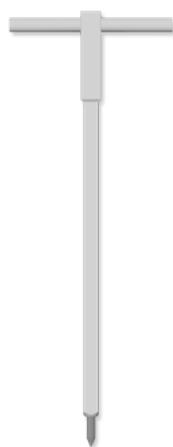


fig. 1

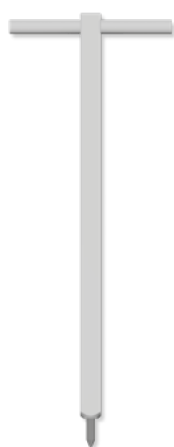


fig. 2



alignment aids in use



fig. 3



fig. 4

Alignment Aid (Fig. 1-2)			
Fig.	Article Number	Description	Unit
1	JA1001	alignment aid 11 x 11 x 300mm for 10 and 12mm system ankle joints	piece
2	JA1000	alignment aid 15 x 15 x 300mm for all 14, 16, 20 and 24mm system joints as well as 12mm system knee joints	piece

Application: the alignment aid is pierced through the mechanical pivot points marked on the negative cast and serves as a placeholder for the holder (see catalogue page K5ff.).

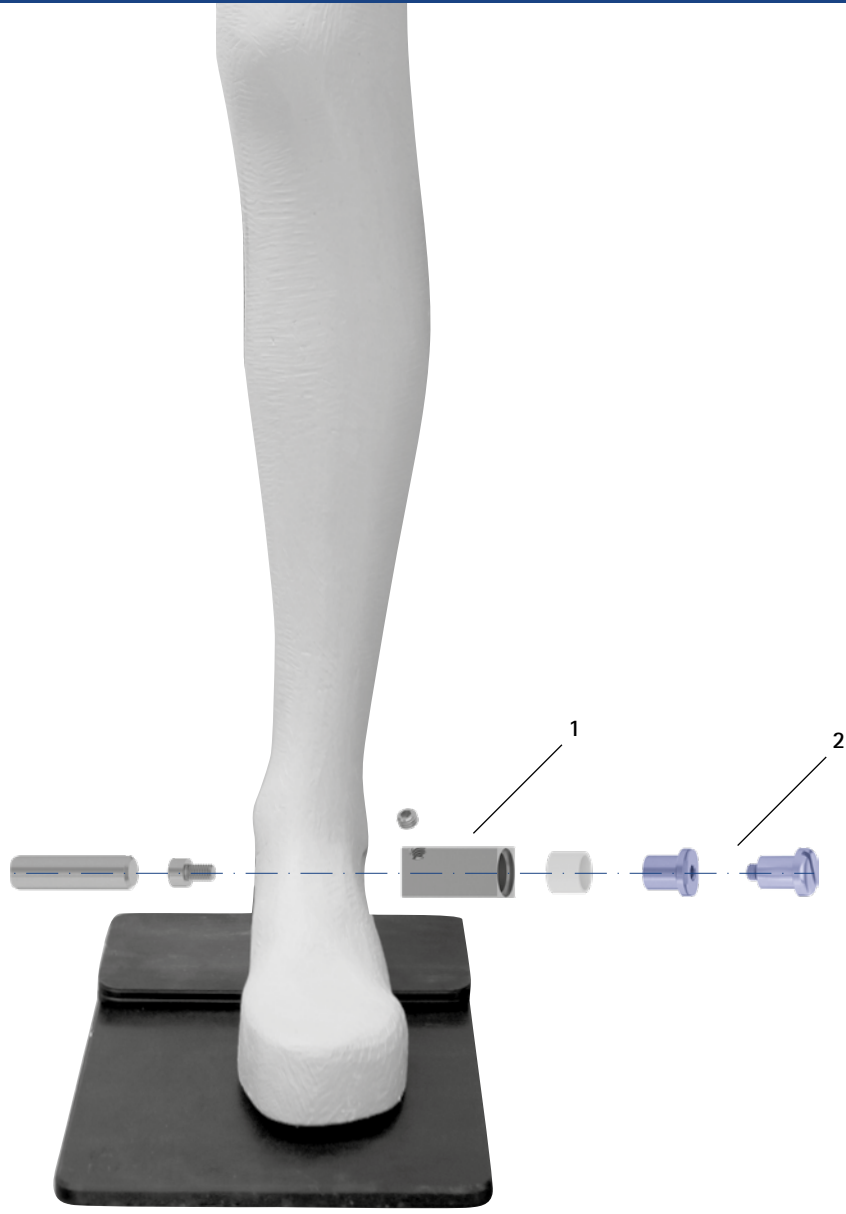
Calliper (Fig. 3)			
Fig.	Article Number	Description	Unit
3	WZ3000-32	calliper, measurement range 0-320mm	piece











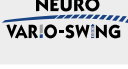





Application: to determine the ap measurement at knee height

Outside Calliper (Fig. 4)			
Fig.	Article Number	Description	Unit
4	WZ3001-02	outside calliper	piece

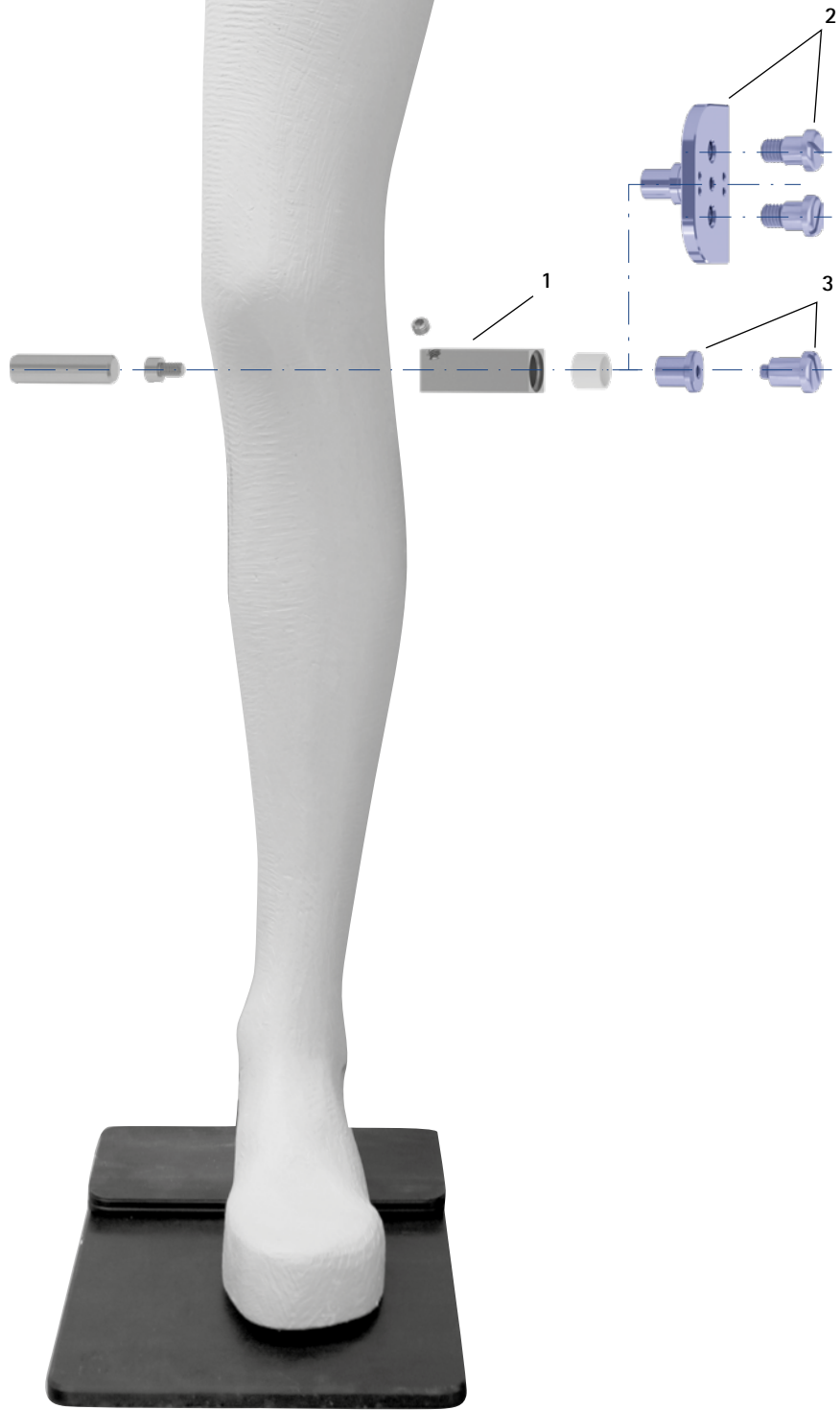
Application: to determine the shoe sole thickness














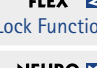
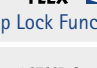

Holders and Joint Retainers

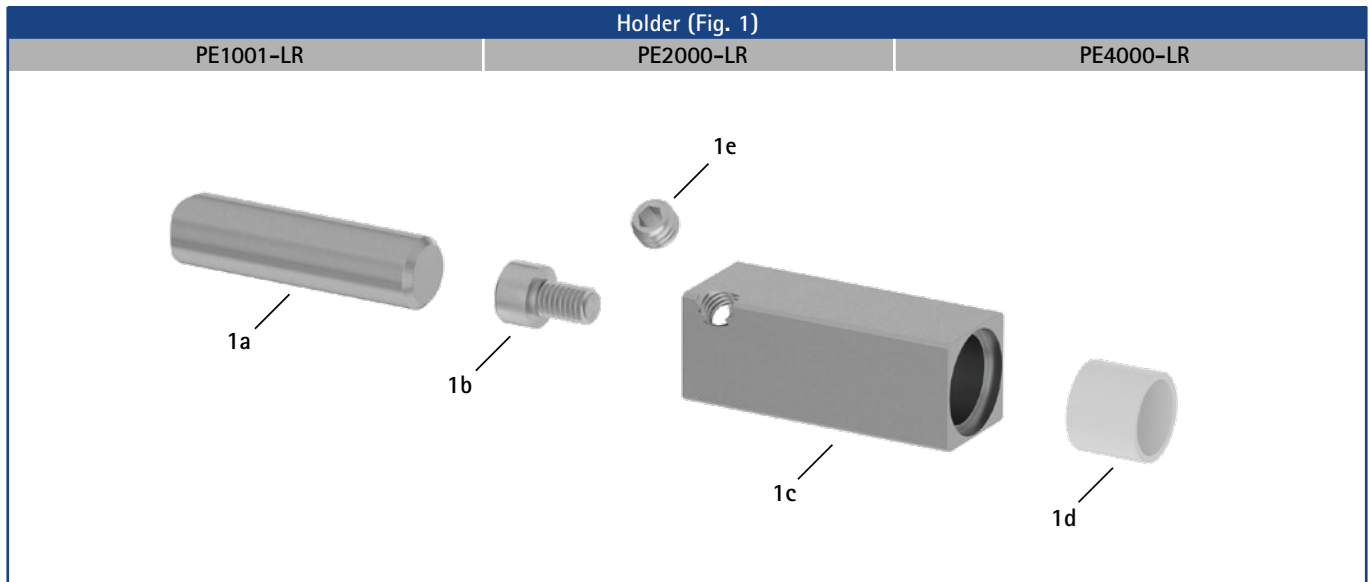


Holders and Joint Retainers							
System Ankle Joints	Tools	Article Numbers for System Width					
		10mm	12mm	14mm	16mm	20mm	24 mm
	holder (1)	PE1001-LR	PE1001-LR	PE4000-LR	PE4000-LR	PE4000-LR	-
	joint retainer (2)	PE1010-01/LR	PE1011-01/LR	PE1012-LR	PE1013-LR	PE1025-LR	-
	holder (1)	-	-	-	PE4000-LR	-	-
	joint retainer (2)	-	-	-	PE1025-LR	-	-
	holder (1)	PE1001-LR	PE1001-LR	PE4000-LR	PE4000-LR	PE4000-LR	-
	joint retainer (2)	PE1010-01/LR	PE1011-01/LR	PE1012-LR	PE1013-LR	PE1025-LR	-
	holder (1)	PE1001-LR	PE1001-LR	PE4000-LR	PE4000-LR	PE4000-LR	-
	joint retainer (2)	PE1010-01/LR	PE1011-01/LR	PE1012-LR	PE1013-LR	PE1025-LR	-
	holder (1)	-	-	PE4000-LR	PE4000-LR	PE4000-LR	-
	joint retainer (2)	-	-	PE1012-LR	PE1013-LR	PE1025-LR	-
	holder (1)	PE1001-LR	PE1001-LR	PE4000-LR	PE4000-LR	PE4000-LR	-
	joint retainer (2)	PE1010-01/LR	PE1011-01/LR	PE1012-LR	PE1013-LR	PE1025-LR	-
	holder (1)	PE1001-LR	PE1001-LR	PE4000-LR	PE4000-LR	PE4000-LR	-
	joint retainer (2)	PE1010-01/LR	PE1011-01/LR	PE1012-LR	PE1013-LR	PE1025-LR	-
	holder (1)	PE1001-LR	PE1001-LR	PE4000-LR	PE4000-LR	PE4000-LR	-
	joint retainer (2)	PE1010-01/LR	PE1011-01/LR	PE1012-LR	PE1013-LR	PE1025-LR	-
	holder (1)	-	-	PE4000-LR	PE4000-LR	PE4000-LR	-
	joint retainer (2)	-	-	PE1012-LR	PE1013-LR	PE1025-LR	-
	holder (1)	PE1001-LR	PE1001-LR	PE4000-LR	PE4000-LR	PE4000-LR	-
	joint retainer (2)	PE1010-01/LR	PE1011-01/LR	PE1012-LR	PE1013-LR	PE1025-LR	-
	holder (1)	PE1001-LR	PE1001-LR	PE4000-LR	PE4000-LR	PE4000-LR	-
	joint retainer (2)	PE1010-01/LR	PE1011-01/LR	PE1012-LR	PE1013-LR	PE1025-LR	-
	holder (1)	PE1001-LR	PE1001-LR	PE4000-LR	PE4000-LR	PE4000-LR	-
	joint retainer (2)	PE1010-01/LR	PE1011-01/LR	PE1012-LR	PE1013-LR	PE1025-LR	-
	holder (1)	PE1001-LR	PE1001-LR	PE4000-LR	PE4000-LR	PE4000-LR	PE4000-LR
	joint retainer (2)	PE1010-01/LR	PE1011-01/LR	PE1012-LR	PE1013-LR	PE1025-LR	PE1127-LR
	holder (1)	PE1001-LR	PE1001-LR	PE4000-LR	PE4000-LR	PE4000-LR	-
	joint retainer (2)	PE1010-01/LR	PE1011-01/LR	PE1012-LR	PE1013-LR	PE1025-LR	-
	holder (1)	-	-	-	-	PE4000-LR	-
	joint retainer (2)	-	-	-	-	PE1025-LR	-
	holder (1)	-	PE1001-LR	PE4000-LR	PE4000-LR	PE4000-LR	-
	joint retainer (2)	-	PE1011-01/LR	PE1012-LR	PE1025-LR	PE1025-LR	-

Holders and Joint Retainers

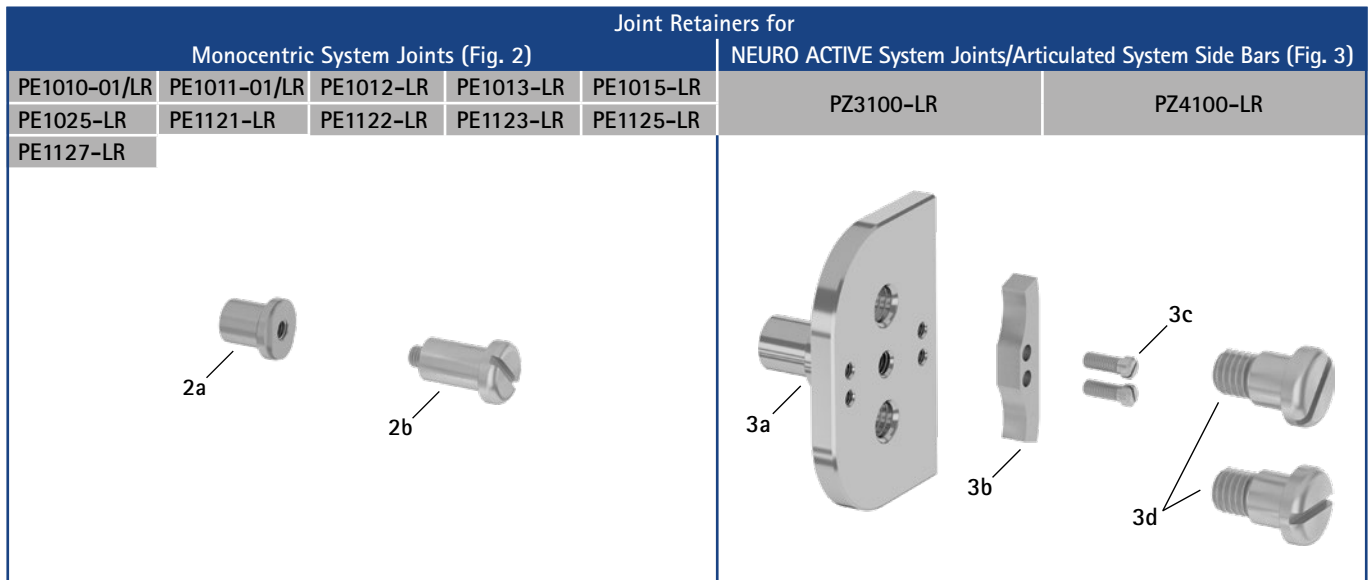


Holders and Joint Retainers						
System Knee Joints and Articulated System Side Bars	Tools	Article Numbers for System Width				
		10mm	12mm	14mm	16mm	20mm
	holder (1)	-	PE2000-LR	PE2000-LR	PE2000-LR	PE2000-LR
	joint retainer (3)	-	PE1012-LR	PE1013-LR	PE1025-LR	PE1025-LR
	holder (1)	-	PE2000-LR	PE2000-LR	PE2000-LR	PE2000-LR
	joint retainer (3)	-	PE1012-LR	PE1013-LR	PE1025-LR	PE1025-LR
	holder (1)	-	PE2000-LR	PE2000-LR	PE2000-LR	PE2000-LR
	joint retainer (3)	-	PE1012-LR	PE1013-LR	PE1025-LR	PE1025-LR
	holder (1)	-	PE2000-LR	PE2000-LR	PE2000-LR	PE2000-LR
	joint retainer (3)	-	PE1012-LR	PE1013-LR	PE1025-LR	PE1025-LR
	holder (1)	-	PE2000-LR	PE2000-LR	PE2000-LR	PE2000-LR
	joint retainer (3)	-	PE1012-LR	PE1013-LR	PE1025-LR	PE1025-LR
	holder (1)	-	PE2000-LR	PE2000-LR	PE2000-LR	PE2000-LR
	joint retainer (3)	-	PE1012-LR	PE1013-LR	PE1025-LR	PE1025-LR
	holder (1)	PE2000-LR	-	PE2000-LR	PE2000-LR	PE2000-LR
	joint retainer (2)	PZ4100-LR	-	PZ4100-LR	PZ3100-LR	PZ3100-LR
	holder (1)	-	-	PE2000-LR	PE2000-LR	PE2000-LR
	joint retainer (3)	-	-	PE1012-LR	PE1122-LR	PE1123-LR
	holder (1)	-	-	-	PE2000-LR	PE2000-LR
	joint retainer (3)	-	-	-	PE1015-LR	PE1025-LR
	holder (1)	-	-	-	PE2000-LR	PE2000-LR
	joint retainer (3)	-	-	-	PE1015-LR	PE1025-LR
	holder (1)	-	-	-	-	PE2000-LR
	joint retainer (3)	-	-	-	-	PE1025-LR
	holder (1)	-	-	PE2000-LR	PE2000-LR	PE2000-LR
	joint retainer (3)	-	-	PE1012-LR	PE1013-LR	PE1015-LR
	holder (1)	-	PE2000-LR	PE2000-LR	PE2000-LR	PE2000-LR
	joint retainer (3)	-	PE1121-LR	PE1122-LR	PE1123-LR	PE1125-LR
	holder (1)	-	PE2000-LR	PE2000-LR	PE2000-LR	PE2000-LR
	joint retainer (3)	-	PE1121-LR	PE1122-LR	PE1123-LR	PE1125-LR
	holder (1)	-	PE2000-LR	PE2000-LR	PE2000-LR	PE2000-LR
	joint retainer (3)	-	PE1121-LR	PE1122-LR	PE1123-LR	PE1125-LR
	holder (1)	-	-	PE2000-LR	PE2000-LR	PE2000-LR
	joint retainer (3)	-	-	PE1012-LR	PE1122-LR	PE1123-LR



Holder (Fig. 1)				
Tool	Fig.	Description	Article Number	Quantity
PE1001-LR	1a	round material, aluminium	RM0050-AL060	1
	1b	slotted pan head screw	SC2104-L04	1
	1c	square: 11 x 11 x 20mm	PE0102-02	1
	1d	polyamide bushing	BP0908-L05	1
	1e	headless pin with hexagon socket	SC9604-L04	1
PE2000-LR	1a	round material, aluminium	RM0120-AL100	1
	1b	cheese head screw with hexagon socket	SC4005-L08	1
	1c	square: 15 x 15 x 40mm	PE0102-01	1
	1d	polyamide bushing	BP1210-L10	1
	1e	headless pin with hexagon socket	SC9606-L04ST	1
PE4000-LR	1a	round material, aluminium	RM0080-AL100	1
	1b	cheese head screw with hexagon socket	SC4005-L08	1
	1c	square: 15 x 15 x 30mm	PE0102-00	1
	1d	polyamide bushing	BP1210-L10	1
	1e	headless pin with hexagon socket	SC9606-L04ST	1

Spare Parts Round Material			
Article Number	Fig.	Description	Unit
RM0300-AL100	w/o fig.	round material, aluminium, 300mm long	piece



Joint Retainers for Monocentric System Joints (Fig. 2)

Tool	Fig.	Scope of Delivery	Article Number	Quantity
PE1010-01/LR	2a	joint retainer	PE0102-07	1
	2b	retaining screw	SC4034-L14/1	1
PE1011-01/LR	2a	joint retainer	PE0102-08	1
	2b	retaining screw	SC4034-L18/1	1
PE1012-LR	2a	joint retainer	PE0102-10	1
	2b	retaining screw	SC4035-L13	1
PE1013-LR	2a	joint retainer	PE0102-11	1
	2b	retaining screw	SC4035-L14	1
PE1015-LR	2a	joint retainer	PE0102-11	1
	2b	retaining screw	SC4035-L15	1
PE1025-LR	2a	joint retainer	PE0102-11	1
	2b	retaining screw	SC4035-L15/1	1
PE1121-LR	2a	joint retainer	PE0102-09	1
	2b	retaining screw	SC4034-L18/1	1
PE1122-LR	2a	joint retainer	PE0102-10	1
	2b	retaining screw	SC4035-L17	1
PE1123-LR	2a	joint retainer	PE0102-11	1
	2b	retaining screw	SC4035-L20	1
PE1125-LR	2a	joint retainer	PE0102-11	1
	2b	retaining screw	SC4035-L22/1	1
PE1127-LR	2a	joint retainer	PE0102-12	1
	2b	retaining screw	SC4035-L18	1

Joint Retainers for NEURO ACTIVE System Joints/Articulated System Side Bars (Fig. 3)

Tool	Fig.	Scope of Delivery	Article Number	Quantity
PZ3100-LR	3a	joint retainer	PZ0310	1
	3b	5° flexion stop	BK9051-F005	1
	3c	slotted pan head screw	SC2103-L08	2
	3d	retaining screw	SC4048-L16	2
PZ4100-LR	3a	joint retainer	PZ0410	1
	w/o fig.	0° flexion stop	KS9402-F000	1
	3b	5° flexion stop	KS9402-F005	1
	3c	slotted pan head screw	SC2103-L05	2
	3d	retaining screw	SC4038-L16	2



Fig. 1



Fig. 2



Fig. 3



Fig. 4



Fig. 5

Bolts for Trial with Knurled Nut (Fig. 1)

Article Number	Description	Unit
PS2000-010	10 x bolts for trial with knurled nut (bolt M3 x 20)	package

Application: used to screw together the bands and system side bars for producing a trial fitting orthosis

Reamer (Fig. 2)

Article Number	Description	Unit
WZ1225-070	reamer 7.0mm, H7	piece
WZ1225-080	reamer 8.0mm, H7	piece
WZ1225-096	reamer 9.6mm, H7	piece
WZ1225-105	reamer 10.5mm, H7	piece
WZ1225-115	reamer 11.5mm, H7	piece
WZ1225-130	reamer 13mm, H7	piece
WZ1225-150	reamer 15mm, H7	piece

Application: for reaming the bearing nut bore before inserting a repair bushing

Assembly Aid for Cover Plate (Fig. 3)

Article Number	Description	Unit
WE9303-SF	assembly aid for cover plate for NEURO VARIO-SPRING system ankle joints, 16 and 20mm system width	piece

Application: for an easier tensioning of the functional unit's pressure spring when assembling the NEURO VARIO-SPRING system ankle joint

Sliding Washer Centring Pin (Fig. 4)

Article Number	Description	Unit
WE5500	sliding washer centring pin for NEURO SWING Carbon system ankle joint, NEURO CLASSIC Carbon system ankle joint, NEURO LOCK Carbon and NEURO CLASSIC Carbon system knee joints	piece

Application: for positioning the sliding washers when assembling the NEURO SWING Carbon system ankle joint, NEURO CLASSIC Carbon system ankle joint, the NEURO LOCK Carbon and NEURO CLASSIC Carbon system knee joints

Assembly/Lamination Dummy for System Stirrup (Fig. 5)

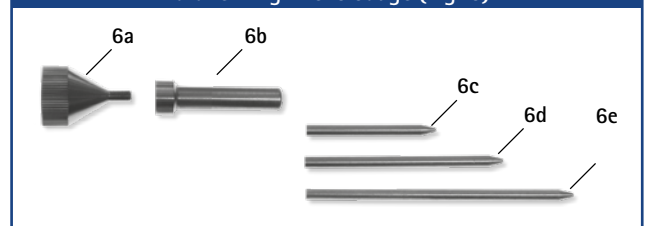
Article Number for System Width			Description	Unit
14mm	16mm	20mm		
SF0912-1	SF0913-1	SF0915-1	assembly/lamination dummy for system stirrup	piece

Application: for positioning the system stirrup when making a new foot piece or when replacing the system stirrup. Due to the assembly/lamination dummy replacing the joint's upper part, there is no need to produce a new orthosis.

Parallel Alignment Gauge

Fig.	Article Number	Description
6	PS1000	parallel alignment gauge
6a	PS0102	centering screw
6b	PS0101	guide bushing
6c	PS0100-L060	aligning pin, length: 60mm
6d	PS0100-L090	aligning pin, length: 90mm
6e	PS0100-L120	aligning pin, length: 120mm

Parallel Alignment Gauge (Fig. 6)



Application: for checking the parallel alignment of system knee and system ankle joints as well as system stirrups on orthoses

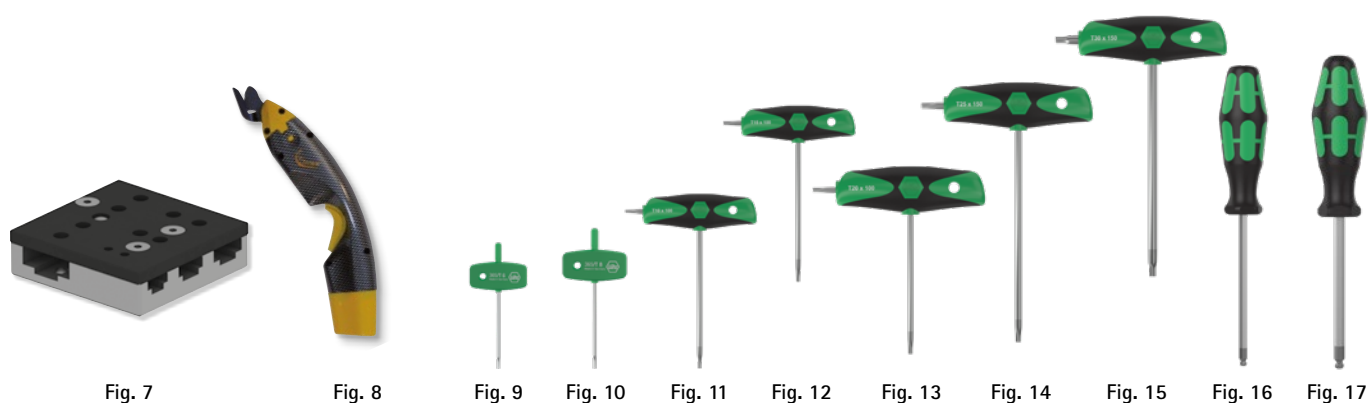


Fig. 7

Fig. 8

Fig. 9

Fig. 10

Fig. 11

Fig. 12

Fig. 13

Fig. 14

Fig. 15

Fig. 16

Fig. 17

Drilling Jig (Fig. 7)		
Article Number	Description	Unit
BS1000	drilling jig for all system widths	piece

Application: for precisely drilling holes in the system side bars of all system widths (for system side bars see catalogue page J1)

Easy Cutter (Fig. 8)		
Article Number	Description	Unit
WZ8083-01	electric scissors to cut aramid and carbon fibres	piece

Spare Parts Easy Cutter		
Article Number	Description	Unit
WZ8083-01/1	cutting head for electrical scissors Easy Cutter	piece

Application: for precisely cutting curves and straight cuts into technical and synthetic as well as natural materials (for materials see catalogue page L1ff.)

Hexalobular Screwdriver (Fig. 9–15)			
Fig.	Article Number	Description	Unit
9	WZ5114-T06	hexalobular screwdriver, T-handle, T6	piece
10	WZ5114-T08	hexalobular screwdriver, T-handle, T8	piece
11	WZ5114-T10	hexalobular screwdriver, T-handle, T10	piece
12	WZ5114-T15	hexalobular screwdriver, T-handle, T15	piece
13	WZ5114-T20	hexalobular screwdriver, T-handle, T20	piece
14	WZ5114-T25	hexalobular screwdriver, T-handle, T25	piece
15	WZ5114-T30	Innensechsrundschlüssel, T-Griff, T30	piece

Application: for screwing and unscrewing hexalobular socket screws

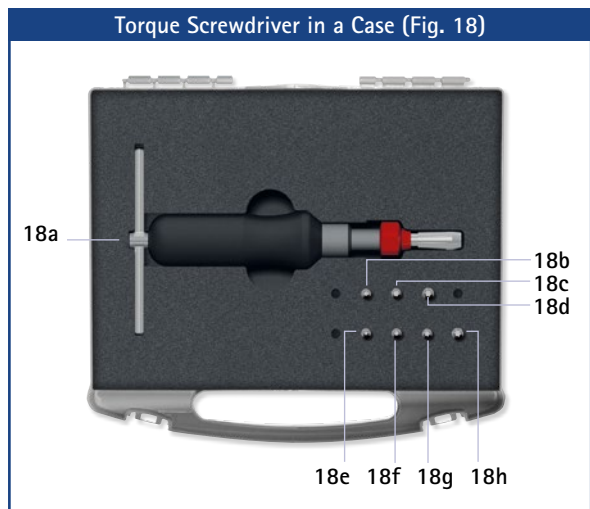
Alignment Hexagonal Screwdriver with Spherical Head (Fig. 16–17)			
Fig.	Article Number	Description	Unit
16	WZ5112-3010	hexagonal screwdriver with spherical head, 3 x 100mm	piece
16	WZ5112-4010	hexagonal screwdriver with spherical head, 4 x 100mm	piece
17	WZ5112-5010	hexagonal screwdriver with spherical head, 5 x 100mm	piece

Application: for screwing and unscrewing the alignment screw

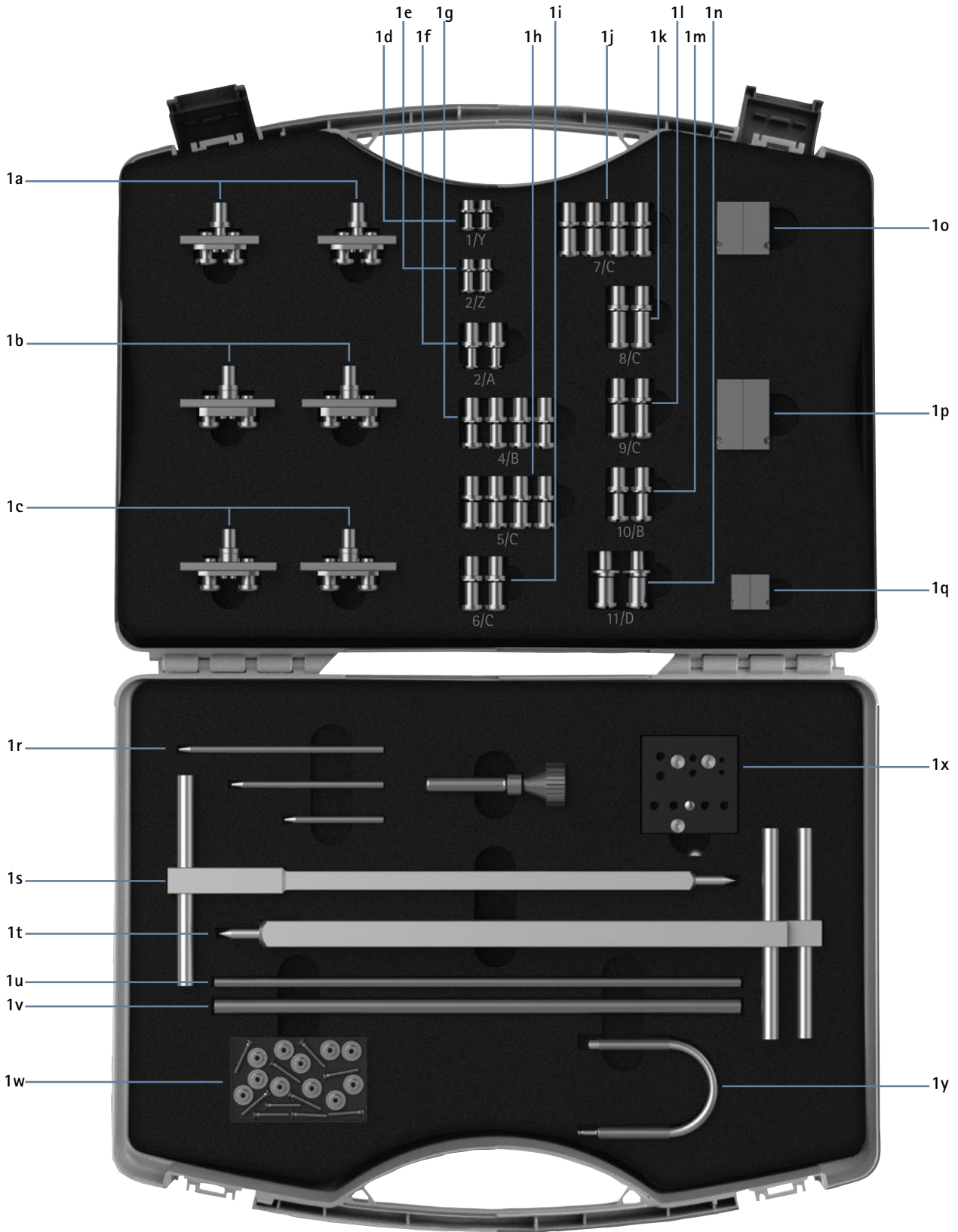
Torque Screwdriver in a Case		
Fig.	Article Number	Description
18	WZ5500	torque screwdriver in a case with 7 bits
18a	-	torque screwdriver, 1–6Nm
18b	WZ5600-I30	bit, hexagon socket, 3mm, 25mm long, for M5 screws
18c	WZ5600-I40	bit, hexagon socket, 4mm, 25mm long, for M6 screws
18d	WZ5604-T10	bit, hexalobular socket, TX10, 25mm long, for M3 screws and for pressing screw* 10mm
18e	WZ5604-T15	bit, hexalobular socket, TX15, 25mm long, for M4 screws
18f	WZ5604-T20	bit, hexalobular socket, TX20, 25mm long, for M5/M6 screws and for pressing screw* 12mm
18g	WZ5604-T25	bit, hexalobular socket, TX25, 25mm long, only for pressing screw* 14/16/20mm
18h	WZ5604-T30	bit, hexalobular socket, TX25, 25mm long, for M6 screws

* NEURO CLASSIC-SPRING, NEURO CLASSIC-SWING, NEURO VARIO-CLASSIC 2, NEURO VARIO 2, NEURO VARIO-SPRING 2, NEURO VARIO-SWING, NEURO SWING-CLASSIC, NEURO SWING, NEURO SWING 2 and NEURO HISWING

Application: for tightening screws with a defined torque



Tool Case (Fig. 1)



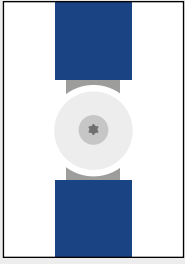
Tool Case				
Fig.	Art.-No.	Description	Quantity	Catalogue Page
1	WK1000	tool case complete, filled with tools	1	K13
-	WK1000-0	tool case with empty storage foam inlays, for filling by yourself	1	-
1a	PZ4100-LR	joint retainers for 10 and 14mm NEURO ACTIVE system joints/articulated system side bars as well as articulated side bars with gear segments*, 16mm centre distance	2	K10 -
1b	PZ3100-LR	joint retainers for 16 and 20mm NEURO ACTIVE system joints/articulated system side bars	2	K10
1c	PZ2100-LR	joint retainers for articulated side bars with gear segments, 22mm centre distance	2	-
1d	PE1010-01/LR	joint retainers for all 10mm system ankle joints (laser marking: 1/Y)	2	
1e	PE1011-01/LR	joint retainers for all 12mm system ankle joints (laser marking: 2/Z)	2	
1f	PE1121-LR	joint retainers for 12mm NEURO FLEX MAX and NEURO LOCK MAX (laser marking: 2/A)	2	
1g	PE1012-LR	joint retainers for all 14mm system ankle joints as well as for the system knee joints 12mm NEURO CLASSIC zero, NEURO VARIO zero, NEURO CLASSIC, NEURO VARIO, NEURO VARIO 2 and NEURO VARIO-SWING and 14mm NEURO CLASSIC Carbon, NEURO LOCK and NEURO LOCK Carbon (laser marking: 4/B)	4	
1h	PE1013-LR	joint retainers for all 16mm system ankle joints, excluding 16mm NEURO SWING Carbon and NEURO CLASSIC Carbon, as well as for the system knee joints 14mm NEURO CLASSIC zero, NEURO VARIO zero, NEURO CLASSIC, NEURO VARIO, NEURO VARIO 2 and NEURO VARIO-SWING and 16mm NEURO LOCK (laser marking: 5/C)	4	
1i	PE1015-LR	joint retainers for 16mm NEURO MATIC and NEURO TRONIC as well as 20mm NEURO LOCK (laser marking: 6/C)	2	K10
1j	PE1025-LR	joint retainers for all 20mm system ankle joints and 16mm NEURO SWING Carbon, for the system knee joints 20mm NEURO MATIC, NEURO TRONIC and NEURO HiTRONIC as well as 16 and 20mm NEURO CLASSIC zero, NEURO VARIO zero, NEURO CLASSIC, NEURO VARIO, NEURO VARIO 2 and NEURO VARIO-SWING (laser marking: 7/C)	4	
1k	PE1125-LR	joint retainers for 20mm NEURO FLEX MAX and NEURO LOCK MAX (laser marking: 8/C)	2	
1l	PE1123-LR	joint retainers for 16mm NEURO FLEX MAX and NEURO LOCK MAX as well as 20mm NEURO LOCK Carbon and NEURO CLASSIC Carbon (laser marking: 9/C)	2	
1m	PE1122-LR	joint retainers for 14mm NEURO FLEX MAX and NEURO LOCK MAX as well as 16mm NEURO CLASSIC Carbon and NEURO LOCK Carbon (laser marking: 10/B)	2	
1n	PE1127-LR	joint retainers for 24mm NEURO SWING (laser marking: 11/D)	2	
1o	PE4000-LR	holder, model technique, square: 15 x 15 x 30mm for all 14, 16, 20 und 24mm system ankle joints	2	
1p	PE2000-LR	holder, model technique, square: 15 x 15 x 40mm for all system knee joints	2	K9
1q	PE1001-LR	holder, model technique, square: 11 x 11 x 20mm for all 10 and 12mm system ankle joints	2	
1r	PS1000	parallel alignment gauge	1	K11
1s	JA1001	alignment aid 11 x 11 x 300mm for 10 and 12mm system ankle joints	1	
1t	JA1000	alignment aid 15 x 15 x 300mm for all 14, 16, 20 and 24mm system ankle/system knee joints as well as for 12mm system knee joints	2	K4
1u	RM0300-AL060	round material, aluminium, 6 x 300mm	1	
1v	RM0300-AL100	round material, aluminium, 10 x 300mm	1	K9
1w	PS2000-010	bolts for trial with knurled nut	10	K11
1x	BS1000	drilling jig	1	K12
1y	WE9303-SF	assembly aid for cover plate for system ankle joints with dorsiflexion assist, 16 and 20mm system width	1	K11

* You can find articulated side bars with gear segments in our product catalogue **Articulated Side Bars for Knee Orthoses**.

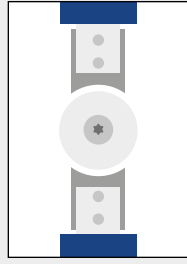
Application: the tools included in the tool case are i.e. used for the parallel alignment of the FIOR & GENTZ system joints. Detailed information concerning each tool is given on the corresponding catalogue pages.

You can store already bought FIOR & GENTZ tools in the tool case with empty foam inlays.

Materials for Lamination/Prepreg Technique



Joint Lamination/
Prepreg Technique



Anchor Lamination/
Prepreg Technique



epoxy resin and hardener
page K5



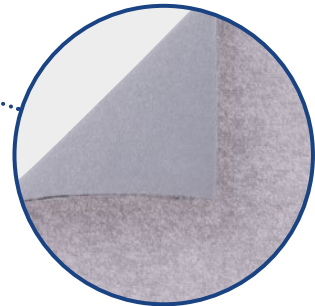
insulating wax for lamination
page K4



colour pastes
page K5



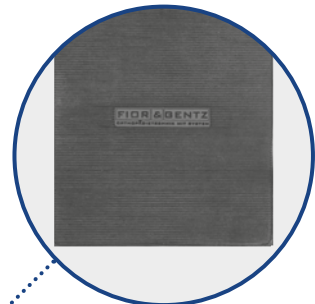
hook and loop fasteners, loops
and strap pads
page K13f.



padding materials
page K11



reinforcement materials
page K7f.

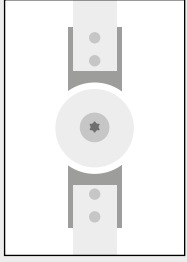


outsole material
page K15



You can find further information at www.fior-gentz.com.

Materials for Side Bar Shell Technique



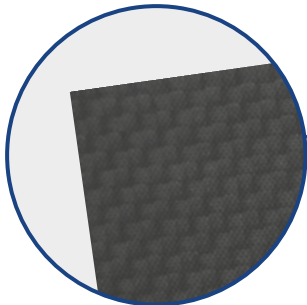
Side Bar Shell Technique



adhesive LOCTITE® 638
page K6



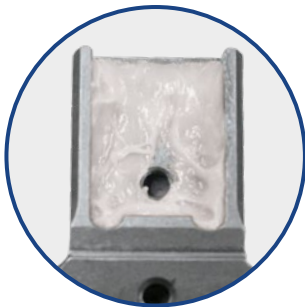
adhesive AGOMET® F330
page K5



CTC BIDIREKTIONAL
carbon fibre sheets page K9
carbon fibre pre-cut bands page K10



LOCTITE® adhesive 243
page K6



adhesive AGOMET® F330
page K5



CTS KNITTED FABRIC
carbon fibre sheet
page K9

You can find further information at www.fior-gentz.com.



fig. 1



fig. 2



fig. 3



fig. 4

Compression Film (Fig. 1)

Article Number	Description	Length [m]	Width [cm]	Film Thickness [mm]	Unit
KL9010	compression film, transparent	300	10	0.01	roll

Application: for compressing as well as insulating extremities and as adhesive base for the glue dots of the e-Cast sensors when producing the negative cast

Cutting Aid (Fig. 2)

Article Number	Description	Length [cm]	Diameter [mm]	Unit
KL9050	cutting aid made of silicone, transparent	120	12	piece

Application: for an easier opening and removing of the negative cast from the patient's leg with scissors

Trial Shell Material (Fig. 3)

Article Number	Description	Length x Width x Thickness [mm]	Unit
PL1086-5/02	trial shell material, Vivak	1250 x 600 x 5	sheet

Application: for producing trial shells

Material properties: thermoformable material which can be processed directly on moist plaster, is transparent and very stiff

Notes: the recommended processing temperature is at 160°C. Depending on the quality of the oven or heating plate, bubbles can form from heating the material.

👍 no measurable shrinkage

Sisal Rope (Fig. 4)

Article Number	Description	Length [m]	Diameter [mm]	Unit
KL9031-06/20	sisal rope	20	6	roll

Application: for designing the orthosis' edges on the positive cast



fig. 5



fig. 6 fig. 7



fig. 8



fig. 9

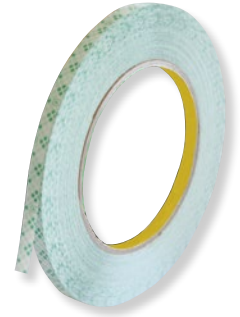


fig. 10

CA Activator (Fig. 5)

Article Number	Description	Content [ml]	Unit
KL2900	CA activator, spray for adhesives	150	tin

Application: for accelerating the hardening of cyanoacrylate adhesives

Fast-Acting Adhesive (Fig. 6–7)

Fig.	Article Number	Description	Content [g]	Unit
6	KL2100*	fast-acting adhesive based on ethyl-cyanoacrylate, low viscous	20	bottle
7	KL2101**	fast-acting adhesive based on ethyl-cyanoacrylate, medium viscous	20	bottle

Application: for adhering materials with a small (* e.g. adhering the wire of NEURO MATIC with the pin of NEURO VARIO-SPRING) or a medium size joint gap (** e.g. adhering profile core and system anchor for the Lamination/Prepreg Technique)

Insulating Wax (Fig. 8)

Article Number	Description	Content [g]	Unit
WA1000	insulating wax for lamination	425	tin

Application: for filling up empty spaces, seal gaps and openings before lamination. When heated, it can be easily removed with compressed air.

Adhesive Spray (Fig. 9)

Article Number	Description	Content [ml]	Unit
KL6030	3M Super 77 adhesive spray	500	tin

Application: for fixing reinforcement layers

Adhesive Transfer Tape without Backing Material (Fig. 10)

Article Number	Description	Length [m]	Width [mm]	Unit
KL4050-06	adhesive transfer tape without backing material	55	6	roll
KL4050-12	adhesive transfer tape without backing material	55	12	roll

Application: for fixing cutting edges and attaching reinforcement layers



fig. 1



fig. 2



fig. 3



fig. 4



fig. 5

Set of Epoxy Resin and Hardener (Fig. 1)

Fig.	Article Number	Description	Content	Unit
-	KL1201	set of epoxy resin and hardener	1kg resin and 0.19kg hardener	set
-	KL1201-0	epoxy resin	1kg resin	tin
-	KL1201-H	hardener	0,19kg hardener	tin
1	KL1202	set of epoxy resin and hardener	5kg resin and 0.95kg hardener	set
1	KL1202-0	epoxy resin	5kg resin	tin
1	KL1202-H	hardener	0,95kg hardener	tin

Application: for laminating orthoses

👍 specially adapted and tested for our materials

Material Properties: after hardening, the material **cannot** be thermoformed.

Colour Pastes (Fig. 2)

Article Number	Description	Content [g]	Unit
KL1910	colour paste for epoxy resin, blue	250	tin
KL1911	colour paste for epoxy resin, black	250	tin
KL1912	colour paste for epoxy resin, white	250	tin
KL1913	colour paste for epoxy resin, yellow	250	tin
KL1914	colour paste for epoxy resin, orange	250	tin
KL1915	colour paste for epoxy resin, red	250	tin
KL1916	colour paste for epoxy resin, green	250	tin

Application: for colouring epoxy resins

Material Properties: for an individual design of laminated orthoses. The different colours can be mixed.

The colour proportion of the colour-epoxy resin mix should be from 2 to 5% and not higher than 5%.

Adhesive AGOMET® F330 (Fig. 3)

Article Number	Description	Content [g]	Unit
KL1100	adhesive, AGOMET® F330	800	tin

Hardener AGOMET® F330 (Fig. 4)

Article Number	Description	Content [g]	Unit
KL1100-H	hardener, AGOMET® F330	30	tube

Set AGOMET® F330

Fig.	Article Number	Description	Content [g]	Unit
-	KL1101	set of adhesive and hardener powder, AGOMET® F330	5	tin

Application: for adhering CTC and CTS materials to each other as well as to metals

Material Properties: after hardening, the material **cannot** be thermoformed.

Adhesive Set (Fig. 5)

Article Number	Description	Content	Unit
KL1110	set 2-component adhesive and primer	2.5mg adhesive component A and B each, 2.5ml primer, cotton swab for applying the primer	tube

Application: for adhering the system anchors for water-resistant system joints as well as the retainer for the pulling cable holder and the lever extension for the NEURO LOCK Carbon system knee joint



fig. 5a

fig. 6

fig. 7

fig. 8

fig. 9

fig. 10

fig. 11

Mixing Tube for 2-Component Adhesive (Fig. 5a)

Article Number	Description	Unit
KL1110-M/O	mixing tube for 2-component adhesive	piece

Application: for mixing the adhesive components when mounting water-resistant system joints

Orthosis Joint Grease (Fig. 6)

Article Number	Description	Content [g]	Unit
FT1000	orthosis joint grease	3	tube

Application: for greasing the system components

Orthosis Joint Grease for Joints with Gear Segments, 3g (Fig. 7)

Article Number	Description	Content [g]	Unit
FT2000	orthosis joint grease for joints with gear segments	3	tube

Application: for greasing the spaces between the gear segments

Spray Oil (Fig. 8)

Article Number	Description	Content [ml]	Unit
FT3000-15	spray oil	150	tin

Application: for greasing the spring units of all system ankle joints and system knee joints of the NEURO SWING product series (excluding NEURO SWING Carbon) during maintenance

Adhesive LOCTITE® 243 (Fig. 9)

Article Number	Description	Content [ml]	Unit
KL2000	adhesive, LOCTITE® 243	5	tube

Application: for medium-strength screw retentions

Adhesive LOCTITE® 638 (Fig. 10)

Article Number	Description	Content [ml]	Unit
KL2020	adhesive, LOCTITE® 638	10	tube

Application: for adhering materials with a joint gap of up to 0.25mm. Prevents self-loosening due to shocks and vibrations.

Super Clean LOCTITE® SF 7063 (Fig. 11)

Article Number	Description	Content [ml]	Unit
WZ7063	Super Clean, LOCTITE® SF 7063	400	tin

Application: for residue-free removal of insulating wax from all surfaces and for cleaning surfaces in preparation for adhering materials



fig. 1



fig. 2



fig. 3



fig. 4

Profile Cores (Fig. 1)

Article Number	Description	Length x Width x Thickness [cm]	Unit
VP2012-L200	PVC profile core for 10mm system joints	200 x 0.9 x 0.3	piece
VP2021-L200	PVC profile core for 12mm system joints	200 x 1.1 x 0.3	piece
VP2022-L200	PVC profile core for 14mm system joints	200 x 1.3 x 0.3	piece
VP2032-L200	PVC profile core for 16mm system joints	200 x 1.5 x 0.3	piece
VP2033-L200	PVC profile core for 20mm system joints	200 x 1.9 x 0.4	piece

Application: for producing reinforcement profiles in laminates

👍 adapted to our system widths

PA Reinforcement Stockings (Fig. 2)

Article Number	Description	Length [cm]	Unit
VP8030-L110	10 x PA reinforcement stockings with open toes, white	110	package

Application: for final fixation of the reinforcement layers under the PVA film

Material Properties: nylon stockings made of infinite knitted fabric, in a given length, with good sliding characteristics for PVA films and high permeability for lamination resins; transparent after lamination

PVA Film Tubes (Fig. 3)

Article Number	Description	Length x Width [cm]	Circumference [cm]	Film Thickness [mm]	Unit
KL9630	10 x PVA film tubes	100 x 15	30	0.1	package
KL9635	10 x PVA film tubes	100 x 18	35	0.1	package
KL9640	10 x PVA film tubes	100 x 20	40	0.1	package
KL9735	10 x PVA film tubes	130 x 18	35	0.1	package
KL9745	10 x PVA film tubes	130 x 23	45	0.1	package
KL9755	10 x PVA film tubes	130 x 28	55	0.1	package
KL9765	10 x PVA film tubes	130 x 33	65	0.1	package

Application: for Lamination/Prepreg Technique

👍 extra strong and tear-resistant

Carbon-Fibre Braided Tubes (Fig. 4)

Article Number	Description	Length [m]	Width [mm]	Unit
VP1033-L1000	carbon fibre braided tube for 10 and 12mm system joints	10	12	roll
VP1034-L1000	carbon fibre braided tube for 14, 16 and 20mm system joints	10	18	roll

Application: for producing reinforcement profiles in laminates

👍 adapted to our system widths



fig. 5

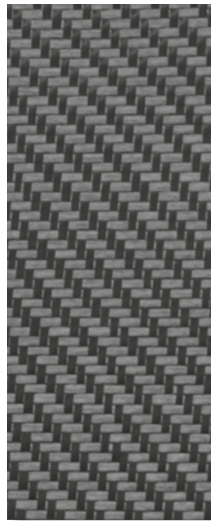


fig. 6

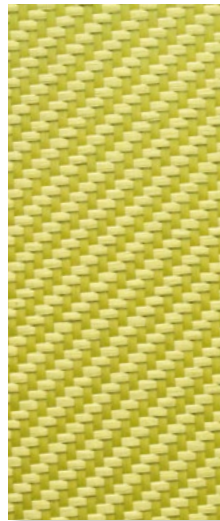


fig. 7



fig. 8



fig. 9



fig. 10

Aramid Fibre Roving (Fig. 5)

Article Number	Description	Length [m]	Width [mm]	Grammage [g/m ²]	Unit
VP3208-L2000	aramid fibre roving	20	0.14	805	roll

Application: for sewing system anchors and reinforcement profiles

Carbon Fibre Fabric (Fig. 6)

Article Number	Description	Structure	Length x Width [m]	Grammage [g/m ²]	Unit
VP5202-10020	carbon fibre fabric, bidirectional	twill 2/2	2 x 1	204	roll
VP5202-10050	carbon fibre fabric, bidirectional	twill 2/2	5 x 1	204	roll

Application: for producing extensive reinforcements in laminates

👍 for use with our adhesive transfer tape without backing material

Aramid Fibre Fabric (Fig. 7)

Article Number	Description	Structure	Length x Width [m]	Grammage [g/m ²]	Unit
VP5221-10020	aramid fibre fabric, bidirectional	twill 2/2	2 x 1	170	roll

Application: for producing flexible areas as part of a laminated orthosis, e.g. for a long partially flexible foot piece or a flexible proximal femoral reinforcement (bearing surface)

Carbon Fibre Band (Fig. 8)

Article Number	Description	Length [m]	Width [mm]	Grammage [g/m ²]	Unit
VP4305-L1000	carbon fibre band, unidirectional	10	50	250	roll
VP4305-L2000	carbon fibre band, unidirectional	20	50	250	roll
VP4310-L1000	carbon fibre band, unidirectional	10	100	250	roll
VP4310-L2000	carbon fibre band, unidirectional	20	100	250	roll

Application: for producing partial reinforcements in laminates

Reinforcing Carbon Fibre Braids (Fig. 9–10)

Fig.	Article Number	Description	Length x Width x Thickness [cm]	Unit
9	VP1226-L120	reinforcing carbon fibre braid with honeycomb core	120 x 1.4 x 0.7	piece
10	VP1237-L120	reinforcing carbon fibre braid with honeycomb core	120 x 1.6 x 0.9	piece

Application: for producing reinforcement profiles in laminates

Material Properties Reinforcing Carbon Fibre Braids

Standard Lay-Up (VP1226-L120)		Reinforced Lay-Up (VP1237-L120)	
1 x honeycomb core		1 x honeycomb core	
1 x layer carbon-glass		2 x layers carbon-glass	
1 x layer carbon-Kevlar		1 x layer carbon-Kevlar	
2 x layers carbon		2 x layers carbon	



fig. 1



fig. 2

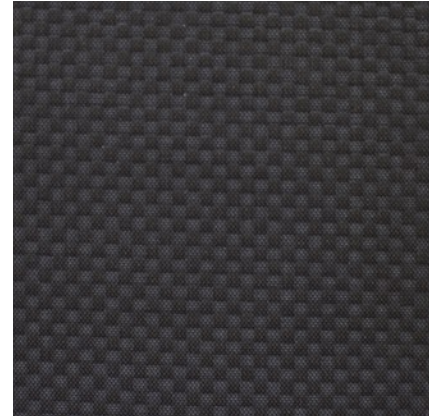


fig. 3

CTS KNITTED FABRIC (Fig. 1)

Article Number	Description	Length x Width [mm]	Thickness [mm]	Unit
PL1456-S	carbon fibre sheet	500 x 500	1.9	sheet
PL1456-M	carbon fibre sheet	500 x 500	2.3	sheet
PL1456-H	carbon fibre sheet	500 x 500	3.2	sheet
PL1456-XH	carbon fibre sheet	500 x 500	4.0	sheet

Application: for producing pieces which are primarily thermoformed three-dimensionally such as short foot pieces (low to middle load), reinforcements, short custom-made insoles with or without heel cap, shells for orthoses, etc.

Not recommended for: long custom-made insoles or foot shells as well as highly loaded areas upon which forces act in one direction

Note: the recommended processing temperature is at approx. 160°C.

Material Properties: CTS KNITTED FABRIC offers a high 3D formability as the carbon fibres are embedded into the matrix as knitted fabric. Since the carbon fibres of the knitted fabric can be stretched and compressed, the material can be precisely formed by using a hot-air gun. Due to the acrylic matrix, the edges can be excellently ground and polished. CTS KNITTED FABRIC can be adhered to metal, leather and several sorts of plastics.

Temperature Marker (Fig. 2)

Article Number	Description	Unit
ZM1001	temperature marker 160°C	piece
ZM1000	temperature marker 175°C	piece

Application: for marking the proper processing temperature of the CTS or CTC material

CTC BIDIREKTIONAL (Fig. 3)

Article Number	Description	Length x Width [mm]	Thickness [mm]	Unit
PL1206-XS	carbon fibre sheet	500 x 500	0.8	sheet
PL1232-S	carbon fibre sheet	500 x 500	1.0	sheet
PL1206-M	carbon fibre sheet	500 x 500	1.2	sheet
PL1246-H	carbon fibre sheet	500 x 500	2.3	sheet
PL1246-XH	carbon fibre sheet	500 x 500	3.0	sheet
PL1246-XXH	carbon fibre sheet	500 x 500	3.7	sheet

Application: for producing pieces which are primarily thermoformed two-dimensionally such as bands for side bars/bands orthoses, reinforcement material, etc.

Not recommended for: medium to strong 3D formings such as foot pieces with heel cap

Note: the recommended processing temperature is at approx. 175°C.

Material Properties: CTC BIDIREKTIONAL offers a good compromise between strength/stiffness and 2D thermoformability. The proportion of fibres is quite high with 55%. It provides a high bending stiffness in 0° and 90° fibre orientation as well as a high torsional stiffness in 45° fibre orientation. Odourless processing.

The fibre orientation of a CTC pre-cut influences its stiffness and deformability. The CTC sheet's fibre orientation can be determined by placing a paper pattern in the desired position on the sheet. The CTC pre-cut bands, in contrast, already have a reproduced fibre orientation of 45°.



fig. 4



fig. 5



fig. 6



fig. 7



fig. 8



fig. 9



fig. 10



fig. 11

CTC BIDIREKTIONAL						
Fig.	Article Number	Description	Application	Length x Width [mm]	Thickness [mm]	Unit
4	PL1230-S	carbon fibre pre-cut bands	lower leg band	150 x 80	1.0	sheet
4	PL1200-M	carbon fibre pre-cut bands	lower leg band	150 x 80	1.2	sheet
5	PL1231-S	carbon fibre pre-cut bands	lower/upper leg band	200 x 80	1.0	sheet
5	PL1201-M	carbon fibre pre-cut bands	lower/upper leg band	200 x 80	1.2	sheet
6	PL1202-M	carbon fibre pre-cut bands	upper leg band	250 x 80	1.2	sheet
6	PL1240-H	carbon fibre pre-cut bands	upper leg band	250 x 80	2.3	sheet
6	PL1240-XH	carbon fibre pre-cut bands	upper leg band	250 x 80	3.0	sheet
7	PL1203-M	carbon fibre pre-cut bands	upper leg band/lower thigh band	300 x 80	1.2	sheet
7	PL1241-H	carbon fibre pre-cut bands	upper leg band/lower thigh band	300 x 80	2.3	sheet
7	PL1241-XH	carbon fibre pre-cut bands	upper leg band/lower thigh band	300 x 80	3.0	sheet
8	PL1204-M	carbon fibre pre-cut bands	lower thigh band	350 x 80	1.2	sheet
8	PL1242-H	carbon fibre pre-cut bands	lower thigh band	350 x 80	2.3	sheet
8	PL1242-XH	carbon fibre pre-cut bands	lower thigh band	350 x 80	3.0	sheet
8	PL1242-XXH	carbon fibre pre-cut bands	lower thigh band	350 x 80	3.7	sheet
9	PL1205-M	carbon fibre pre-cut bands	lower thigh band	400 x 80	1.2	sheet
9	PL1243-XH	carbon fibre pre-cut bands	lower thigh band	400 x 80	3.0	sheet
9	PL1243-XXH	carbon fibre pre-cut bands	lower thigh band	400 x 80	3.7	sheet
10	PL1244-H	carbon fibre pre-cut bands	upper thigh band	350 x 130	2.3	sheet
10	PL1244-XH	carbon fibre pre-cut bands	upper thigh band	350 x 130	3.0	sheet
11	PL1245-H	carbon fibre pre-cut bands	upper thigh band	525 x 150	2.3	sheet
11	PL1245-XH	carbon fibre pre-cut bands	upper thigh band	525 x 150	3.0	sheet



fig. 1

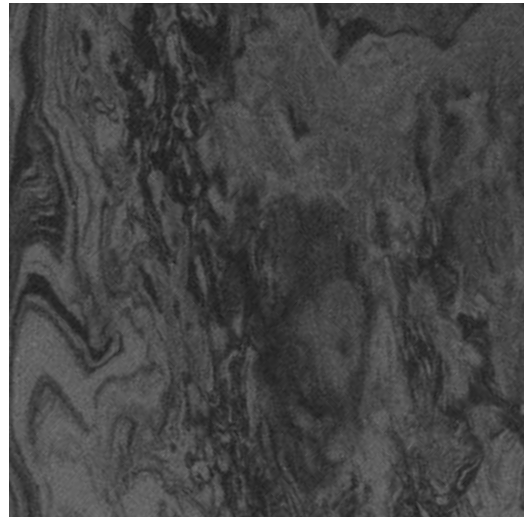


fig. 2

Dummy for Padding Material (Fig. 1)

Article Number	Description	Shore Hardness	Length x Width x Thickness [mm]	Unit
PL3988-04/2	dummy for padding material for orthoses, PE foam, 80° shore, blue	00 of 80 ± 8°	1000 x 1000 x 4	sheet

Application: placeholder for the padding of the orthosis during production. Lamination dummies (e.g. for the production of NEURO MATIC/NEURO TRONIC/NEURO HiTRONIC orthoses) can be fixed on this material with fast-acting adhesive.

Material Properties: thermoformable material which is adjusted to the FIOR & GENTZ production technique

Note: the dummy for the padding of the orthosis is suitable only to a limited extent for the lamination technique with acrylic resin. The produced heat during lamination with acrylic resin has a negative effect on the dummy.

Do not use the dummy for the padding of the orthosis for the prepreg technique because of too high processing temperature.

The recommended processing temperature is at approx. 130°C.

Padding Material (Fig. 2)

Article Number	Description	Shore Hardness	Length x Width x Thickness [mm]	Unit
PL3887-04/1	padding material for orthoses, EVA, 30° shore, black	A of 30 ± 5°	1050 x 900 x 4	sheet

Application: for padding orthoses

Material Properties: thermoformable padding material with closed cell structure which can be washed and disinfected

Note: the recommended processing temperature is at approx. 130°C.

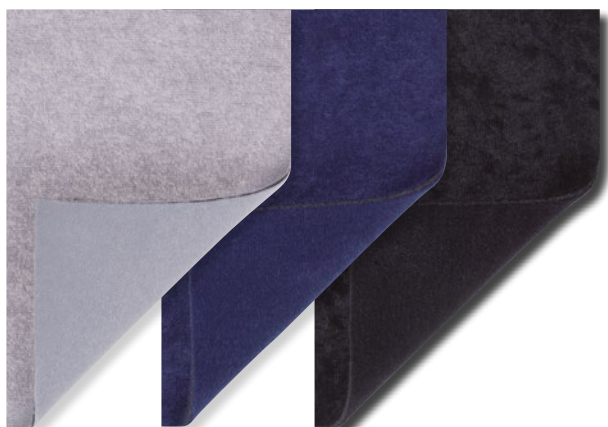


fig. 3

fig. 4

fig. 5



fig. 6





fig. 7

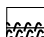
xDRY Towelling Padding Material (Fig. 3-5)				
Fig.	Article Number	Description	Length x Width x Thickness [mm]	Unit
3	PL3687-02/4	xDRY towelling padding material, grey	1000 x 1400 x 4	sheet
4	PL3687-02/2	xDRY towelling padding material, blue	1000 x 1400 x 4	sheet
5	PL3687-02/1	xDRY towelling padding material, black	1000 x 1400 x 4	sheet


Application: for padding orthoses

Material Properties:

 exchangeable and soft padding material. The padding material has a skin-friendly towelling coating on one side and a velour coating on the reverse side.

 The padding material is antimicrobial and can be washed at 60°C.

 Use the hook dots or the hook tape (see below) to attach the padding material firmly to an orthosis.

 If you cut the material with pinking shears, there are no frayed edges. This means that you get a functional edge which does not need to be linked.

Hook Tape (Fig. 6)			
Article Number	Description	Length x Width x Thickness [mm]	Unit
KV4050-L1000	hook tape, self-adhesive, transparent	1000 x 50 x 1	piece

Application: for attaching the towelling padding material to the orthosis

Material Properties: 1mm thin micro hook tape

Hook Dots (Fig. 7)		
Article Number	Description	Unit
KV0020-22/06	6 x hook dots, self-adhesive, transparent	set
KV0020-22/40	40 x hook dots, self-adhesive, transparent	set

Application: for attaching the towelling padding material to the orthosis

Material Properties: 1mm thin micro hook dots with a diameter of 22mm

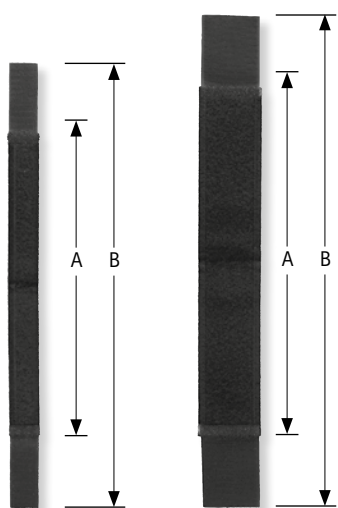


fig. 1

fig. 2

A = length of soft coating side
B = total length

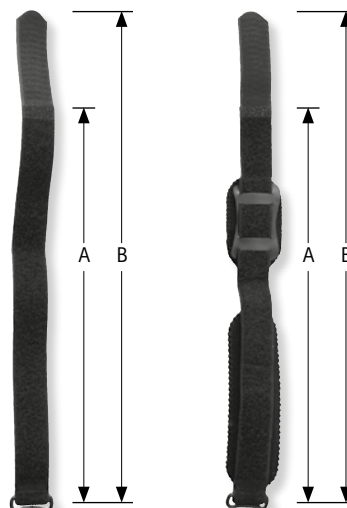


fig. 3

fig. 4

A = length of soft coating side
B = total length

Hook and Loop Fasteners (Fig. 1-2)

Fig.	Article Number	Description	Length of Soft Coating Side A [mm]	Total Length B [mm]	Unit
1	KV1003-L380	hook and loop fastener, 25mm wide, black	240	380	piece
1	KV1003-L440	hook and loop fastener, 25mm wide, black	280	440	piece
2	KV1008-L420	hook and loop fastener, 50mm wide, black	260	420	piece
2	KV1008-L550	hook and loop fastener, 50mm wide, black	380	550	piece
2	KV1008-L650	hook and loop fastener, 50mm wide, black	490	650	piece

Application: for fixing orthoses on the leg. The ca. 25mm wide hook and loop fastener is used as distal and proximal leg strap and as distal thigh strap. The ca. 50mm wide hook and loop fastener is used as proximal thigh strap. You can find appropriate loops on catalogue page K14.

Hook and Loop Fasteners with Loop (Fig. 3-4)

Fig.	Article Number	Description	Length of Soft Coating Side A [mm]	Total Length B [mm]	Circumference* [cm]	Unit
3	KV1004-L450	hook and loop fastener with loop, 25mm wide, black	370	450	33-36	piece
3	KV1004-L500	hook and loop fastener with loop, 25mm wide, black	420	500	37-40	piece
3	KV1004-L550	hook and loop fastener with loop, 25mm wide, black	470	550	41-44	piece
4	KV2004-L450	hook and loop fastener with loop and strap pad with strap pad holder, 25mm wide, black	370	450	33-36	piece
4	KV2004-L500	hook and loop fastener with loop and strap pad with strap pad holder, 25mm wide, black	420	500	37-40	piece
4	KV2004-L550	hook and loop fastener with loop and strap pad with strap pad holder, 25mm wide, black	470	550	41-44	piece

* measured at the highest point of the calf

Application: for fixing orthoses on the leg. The hook and loop fastener with loop is used, among other things, as a calf strap.



fig. 5



fig. 6



fig. 7



fig. 8

Loops (Fig. 5-6)			
Fig.	Article Number	Description	Unit
5	US1000	4 x loops for 25mm hook and loop fasteners, 25mm wide, black	package
5	US1001	20 x loops for 25mm hook and loop fasteners, 25mm wide, black	package
5	US1002	50 x loops for 25mm hook and loop fasteners, 25mm wide, black	package
6	US1100	4 x loops for 50mm hook and loop fasteners, 50mm wide, black	package
6	US1101	20 x loops for 50mm hook and loop fasteners, 50mm wide, black	package
6	US1102	50 x loops for 50mm hook and loop fasteners, 50mm wide, black	package

Application: for fixing hook and loop fasteners on orthoses and prostheses

Strap Pads (Fig. 7)				
Article Number	Description	Length [mm]	Article Number of the Appropriate Strap Pad Holder	Unit
GP1000-L090	strap pad made of padding material, 50mm wide, black	90	GP1201-L070	piece
GP1000-L130	strap pad made of padding material, 50mm wide, black	130	GP1201-L100	piece
GP1000-L170	strap pad made of padding material, 50mm wide, black	170	GP1201-L130	piece
GP1000-L205	strap pad made of padding material, 50mm wide, black	205	-	piece
GP1000-L240	strap pad made of padding material, 50mm wide, black	240	-	piece
GP1000-L275	strap pad made of padding material, 50mm wide, black	275	-	piece

Application: for cushioning the hook and loop fastener that touches the skin

Material Properties: exchangeable, elastic and breathable padding material with a skin-friendly, non-slip coating on the one side and a soft coating on the reverse side. Hook dots or hook tape can be fastened to the soft coating side of the material.

Strap Pad Holders (Fig. 8)				
Article Number	Description	Length [mm]	Article Number of the Appropriate Strap Pad	Unit
GP1201-L070	strap pad holder with 2 hook dots, 50mm wide, black	70	GP1000-L090	piece
GP1201-L100	strap pad holder with 2 hook dots, 50mm wide, black	100	GP1000-L130	piece
GP1201-L130	strap pad holder with 2 hook dots, 50mm wide, black	130	GP1000-L170	piece

Application: the strap pad and the hook and loop fastener are attached to the holder.



fig. 1



fig. 2



fig. 3

Outsole Material (Fig. 1-3)

Fig.	Article Number	Description	Length x Width x Thickness [mm]	Unit
1	F00092-S	outsole material, soft rubber, black	220 x 110 x 1.5	sheet
2	F00092-M	outsole material, soft rubber, black	295 x 145 x 1.5	sheet
3	F00092-L	outsole material, soft rubber, black	357 x 158 x 1.5	sheet

Application: for covering the underside of a foot piece. The outsole material is slip-resistant.



fig. 4



fig. 5



fig. 6






fig. 7

Cloth Bags for Orthoses (Fig. 4-7)

Fig.	Article Number	Description	Length x Width [cm]	Unit
4	OB1000-S	cloth bag made of cotton for orthoses, blue, size S	40 x 30	piece
5	OB1000-M	cloth bag made of cotton for orthoses, blue, size M	70 x 35	piece
6	OB1000-L	cloth bag made of cotton for orthoses, blue, size L	90 x 35	piece
7	OB1000-XL	cloth bag made of cotton for orthoses, blue, size XL	120 x 40	piece

Application: for storing and transporting orthoses

👍 Cleaning Tips

-  Washing: separately and inside out, up to max. 40°C.
-  Drying: do not tumble dry. Before hanging out, pull into shape and allow to air-dry.
-  Ironing: at 180-200°C with steam or with a damp cloth



Description

The orthosis shoe CROSSROADS offers enough space for orthoses with ankle joints and also prevents the deformation of the shoe's upper thanks to the integrated elastic textile material.

Features:

- ➔ anatomically formed upper and integrated heel cap for high stability
- ➔ heel strap for putting on and taking off the shoe easily
- ➔ with lacing (Guide for One-Handed Lacing enclosed with the shoe)
- ➔ 2 insoles as volume compensation
- ➔ brown shoe version with multifunctional outsole
- ➔ black shoe version with vibram® flat sole

Material:

- ➔ high quality leather as upper material
- ➔ elastic textile material

Shoe Design:

- ➔ available as a pair in four different combinations
- ➔ available in the colours brown and black

The orthosis shoe CROSSROADS is delivered with the following articles:

- insole with leather coating
- insole without leather coating
- shoe laces, 80cm (for normal use)
- shoe laces, 110cm (for one-handed lacing)
- Guide for One-Handed Lacing

CROSSROADS

Orthosis shoe. Different.



CROSSROADS, Brown



REGULAR left and right for normal feet with and without orthosis		
Shoe Size	Article Number	Insole Length
36	OS4532-36	235mm
37	OS4532-37	242mm
38	OS4532-38	249mm
39	OS4532-39	254mm
40	OS4532-40	261mm
41	OS4532-41	268mm
42	OS4532-42	275mm
43	OS4532-43	281mm
44	OS4532-44	287mm
45	OS4532-45	294mm
46	OS4532-46	301mm
47	OS4532-47	307mm
48	OS4532-48	314mm



REGULAR left/SLIM right for slender feet with orthosis on the left leg		
Shoe Size	Article Number	Insole Length
36	OS9932-36	235mm
37	OS9932-37	242mm
38	OS9932-38	249mm
39	OS9932-39	254mm
40	OS9932-40	261mm
41	OS9932-41	268mm
42	OS9932-42	275mm
43	OS9932-43	281mm
44	OS9932-44	287mm
45	OS9932-45	294mm
46	OS9932-46	301mm
47	OS9932-47	307mm
48	OS9932-48	314mm



SLIM left/REGULAR right for slender feet with orthosis on the right leg		
Shoe Size	Article Number	Insole Length
36	OS8932-36	235mm
37	OS8932-37	242mm
38	OS8932-38	249mm
39	OS8932-39	254mm
40	OS8932-40	261mm
41	OS8932-41	268mm
42	OS8932-42	275mm
43	OS8932-43	281mm
44	OS8932-44	287mm
45	OS8932-45	294mm
46	OS8932-46	301mm
47	OS8932-47	307mm
48	OS8932-48	314mm



SLIM left and right for slender feet with orthosis without joints		
Shoe Size	Article Number	Insole Length
36	OS4132-36	235mm
37	OS4132-37	242mm
38	OS4132-38	249mm
39	OS4132-39	254mm
40	OS4132-40	261mm
41	OS4132-41	268mm
42	OS4132-42	275mm
43	OS4132-43	281mm
44	OS4132-44	287mm
45	OS4132-45	294mm
46	OS4132-46	301mm
47	OS4132-47	307mm
48	OS4132-48	314mm



CROSSROADS

Orthosis shoe. Different.

CROSSROADS, Black



REGULAR left and right for normal feet with and without orthosis		
Shoe Size	Article Number	Insole Length
36	OS4500-36	235mm
37	OS4500-37	242mm
38	OS4500-38	249mm
39	OS4500-39	254mm
40	OS4500-40	261mm
41	OS4500-41	268mm
42	OS4500-42	275mm
43	OS4500-43	281mm
44	OS4500-44	287mm
45	OS4500-45	294mm
46	OS4500-46	301mm
47	OS4500-47	307mm
48	OS4500-48	314mm



REGULAR left/SLIM right for slender feet with orthosis on the left leg		
Shoe Size	Article Number	Insole Length
36	OS9900-36	235mm
37	OS9900-37	242mm
38	OS9900-38	249mm
39	OS9900-39	254mm
40	OS9900-40	261mm
41	OS9900-41	268mm
42	OS9900-42	275mm
43	OS9900-43	281mm
44	OS9900-44	287mm
45	OS9900-45	294mm
46	OS9900-46	301mm
47	OS9900-47	307mm
48	OS9900-48	314mm



SLIM left/REGULAR right for slender feet with orthosis on the right leg		
Shoe Size	Article Number	Insole Length
36	OS8900-36	235mm
37	OS8900-37	242mm
38	OS8900-38	249mm
39	OS8900-39	254mm
40	OS8900-40	261mm
41	OS8900-41	268mm
42	OS8900-42	275mm
43	OS8900-43	281mm
44	OS8900-44	287mm
45	OS8900-45	294mm
46	OS8900-46	301mm
47	OS8900-47	307mm
48	OS8900-48	314mm



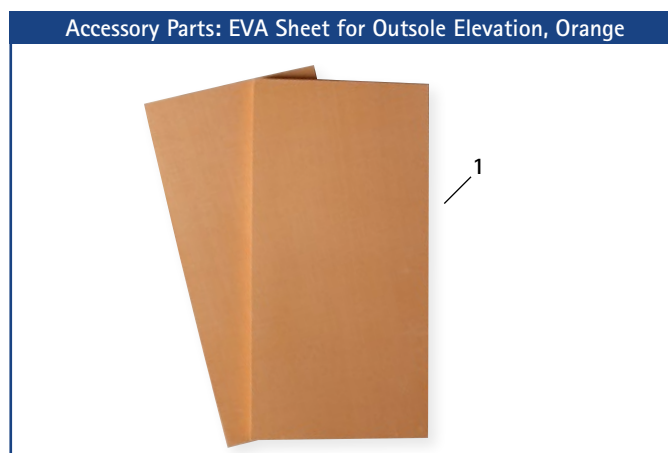
SLIM left and right for slender feet with orthosis without joints		
Shoe Size	Article Number	Insole Length
36	OS4100-36	235mm
37	OS4100-37	242mm
38	OS4100-38	249mm
39	OS4100-39	254mm
40	OS4100-40	261mm
41	OS4100-41	268mm
42	OS4100-42	275mm
43	OS4100-43	281mm
44	OS4100-44	287mm
45	OS4100-45	294mm
46	OS4100-46	301mm
47	OS4100-47	307mm
48	OS4100-48	314mm



Shoe Measurements		Use
pitch*	15mm	h-Cast
heel height**	25mm	Orthosis Configurator

* The height of the pitch corresponds to the height of the h-Cast plate to be used in the physical examination.

** The heel height is used in the Orthosis Configurator as part of the calculation basis.



Accessory Parts for CROSSROADS, Brown

Item	Article Number	Description	Length x Width x Thickness [mm]	Unit
1	PL4532-OS	EVA sheet for outsole elevation, orange	400 x 200 x 20	sheet

Accessory Parts for CROSSROADS, Brown

Item	Shoe Size	Article Number	Description	Unit
2	37/38	FS9701-3738	vibram® flat sole, honey	pair
2	39/40	FS9701-3940	vibram® flat sole, honey	pair
2	41/42	FS9701-4142	vibram® flat sole, honey	pair
2	43/44	FS9701-4344	vibram® flat sole, honey	pair
2	45/46	FS9701-4546	vibram® flat sole, honey	pair
2	47/48	FS9701-4748	vibram® flat sole, honey	pair



Accessory Parts for CROSSROADS, Black

Item	Article Number	Description	Length x Width x Thickness [mm]	Unit
3	PL4500-OS	EVA sheet for outsole elevation, black	400 x 200 x 20	sheet

Accessory Parts for CROSSROADS, Black

Item	Shoe Size	Article Number	Description	Unit
4	37/38	FS9702-3738	vibram® flat sole, black	pair
4	39/40	FS9702-3940	vibram® flat sole, black	pair
4	41/42	FS9702-4142	vibram® flat sole, black	pair
4	43/44	FS9702-4344	vibram® flat sole, black	pair
4	45/46	FS9702-4546	vibram® flat sole, black	pair
4	47/48	FS9702-4748	vibram® flat sole, black	pair



PARKSTREET

Orthosis shoe. Different.

Product Information

The orthosis shoe PARKSTREET offers enough space for orthoses with ankle joints and also prevents the deformation of the shoe's upper thanks to the integrated elastic textile material.

Features:

- ➔ combination of adjustable hook-and-loop fastener and laces provides a wide shoe opening (Guide for One-Handed Lacing enclosed with the shoe);
- ➔ heel strap for putting on and taking off the shoe easily;
- ➔ 2 insoles as volume compensation;
- ➔ multifunctional outsole.

Material:

- ➔ sturdy, durable fabric;
- ➔ elastic textile material.

The orthosis shoe PARKSTREET is delivered with the following articles:

insoles, 2 pieces

shoe lace (for normal use):

- ➔ 95cm for shoe size 32-36
- ➔ 120cm for shoe size 37-42
- ➔ 150cm for shoe size 43-48

shoe lace (for one-handed lacing):

- ➔ 125cm for shoe size 32-36
- ➔ 150cm for shoe size 37-42
- ➔ 180cm for shoe size 43-48

Guide for One-Handed Lacing



PARKSTREET		
Shoe Size	Article Number	Insole Length
32	OS4941-32	209mm
33	OS4941-33	216mm
34	OS4941-34	223mm
35	OS4941-35	229mm
36	OS4941-36	235mm
37	OS4941-37	242mm
38	OS4941-38	249mm
39	OS4941-39	254mm
40	OS4941-40	261mm

PARKSTREET		
Shoe Size	Article Number	Insole Length
41	OS4941-41	268mm
42	OS4941-42	275mm
43	OS4941-43	281mm
44	OS4941-44	287mm
45	OS4941-45	294mm
46	OS4941-46	301mm
47	OS4941-47	307mm
48	OS4941-48	314mm

→ The orthosis shoe PARKSTREET is only sold in pairs.

Shoe Measurements		Use
pitch*	0mm	h-Cast
heel height**	14mm	Orthosis Configurator

* The height of the pitch corresponds to the height of the h-Cast plate to be used in the physical examination.

** The heel height is used in the Orthosis Configurator as part of the calculation basis.



URBANSTREET

Orthosis shoe. Different.

Product Information

The orthosis shoe URBANSTREET offers enough space for orthoses with ankle joints and also prevents the deformation of the shoe's upper thanks to the integrated elastic textile material.

Features:

- ➔ combination of adjustable hook-and-loop fastener and laces provides a wide shoe opening (Guide for One-Handed Lacing enclosed with the shoe);
- ➔ heel strap for putting on and taking off the shoe easily;
- ➔ 2 insoles as volume compensation;
- ➔ multifunctional outsole.

Material:

- ➔ sturdy, durable fabric;
- ➔ elastic textile material.

The orthosis shoe URBANSTREET is delivered with the following articles:

insoles, 2 pieces

shoe lace (for normal use):

- ➔ 95cm for shoe size 32-36
- ➔ 120cm for shoe size 37-42
- ➔ 150cm for shoe size 43-48

shoe lace (for one-handed lacing):

- ➔ 125cm for shoe size 32-36
- ➔ 150cm for shoe size 37-42
- ➔ 180cm for shoe size 43-48

Guide for One-Handed Lacing



URBANSTREET		
Shoe Size	Article Number	Insole Length
32	OS4921-32	209mm
33	OS4921-33	216mm
34	OS4921-34	223mm
35	OS4921-35	229mm
36	OS4921-36	235mm
37	OS4921-37	242mm
38	OS4921-38	249mm
39	OS4921-39	254mm
40	OS4921-40	261mm

URBANSTREET		
Shoe Size	Article Number	Insole Length
41	OS4921-41	268mm
42	OS4921-42	275mm
43	OS4921-43	281mm
44	OS4921-44	287mm
45	OS4921-45	294mm
46	OS4921-46	301mm
47	OS4921-47	307mm
48	OS4921-48	314mm

→ The orthosis shoe URBANSTREET is only sold in pairs.

Shoe Measurements		Use
pitch*	0mm	h-Cast
heel height**	14mm	Orthosis Configurator

* The height of the pitch corresponds to the height of the h-Cast plate to be used in the physical examination.

** The heel height is used in the Orthosis Configurator as part of the calculation basis.



Product Information

The orthosis shoe CITYDRIVE offers enough space for orthoses with ankle joints and also prevents the deformation of the shoe's upper thanks to the integrated elastic textile material.

Features:

- ➔ anatomically formed upper and integrated heel cap for high stability
- ➔ heel strap for putting on and taking off the shoe easily with lacing (Guide for One-Handed Lacing enclosed)
- ➔ 2 insoles as volume compensation
- ➔ light and durable outsole made of polyurethane (PU) with a slip-resistant tread

Material:

- ➔ high quality leather as upper material and inner lining
- ➔ elastic textile material on the outside of the orthosis shoe

The orthosis shoe CITYDRIVE is delivered with the following articles:

- insole with leather coating
- insole without leather coating
- shoe laces, 85cm (for normal use)
- shoe laces, 120cm (for one-handed lacing)
- Guide for One-Handed Lacing



CITYDRIVE

Orthosis Shoe. Different.



CITYDRIVE		
Shoe Size	Article Number	Insole Length
36	OS4110-36	235mm
37	OS4110-37	244mm
38	OS4110-38	249mm
39	OS4110-39	255mm
40	OS4110-40	262mm
41	OS4110-41	270mm
42	OS4110-42	277mm
43	OS4110-43	281mm
44	OS4110-44	289mm
45	OS4110-45	295mm
46	OS4110-46	300mm
47	OS4110-47	307mm
48	OS4110-48	314mm

Shoe Measurements		Use
pitch*	10mm	h-Cast
heel height**	25mm	Orthosis Configurator

* The height of the pitch corresponds to the height of the h-cast plate to be used in the physical examination.

** The heel height is used in the Orthosis Configurator as part of the calculation basis.

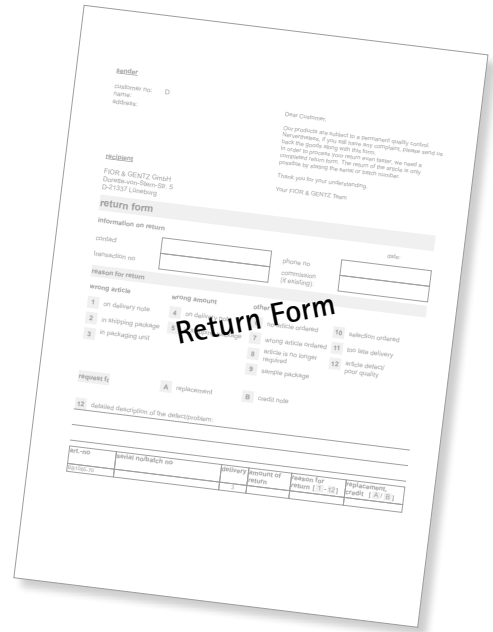
→ The orthosis shoe CITYDRIVE is only sold in pairs.

For returns, please send us the following:

1. goods in original packing including bar code label;
2. delivery note (copy);
3. completed return form;
4. control sheet;
5. completed orthotic treatment sheet (only necessary if article was mounted into the orthosis and broke during usage).

For organisational reasons, freight collect returns will not be accepted.

Return Form (PR9045-DE/GB)



Control Sheet (PB0004)



The return form and the control sheet are enclosed with the goods. Please send us the goods including the completed return form stating the reason for claim and the control sheet to improve our quality. You can also download the return form at www.fior-gentz.com.

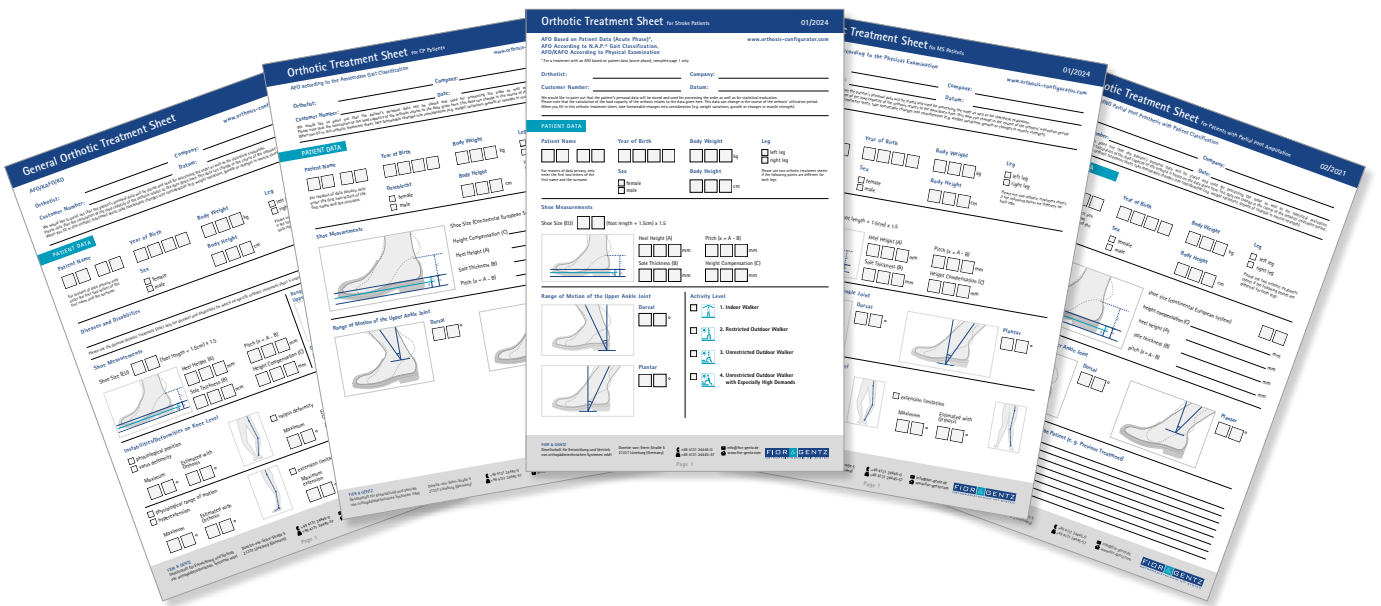
General Orthotic Treatment Sheet (PR9050-GB)

Orthotic Treatment Sheet for CP Patients (PR9051-GB)

Orthotic Treatment Sheet for Stroke Patients (PR9053-GB)

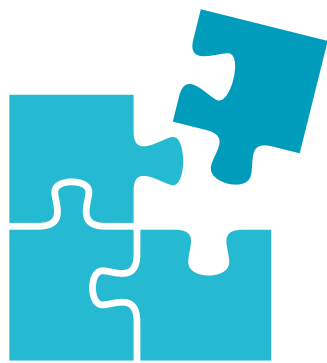
Orthotic Treatment Sheet for MS Patients (PR9055-GB)

Orthotic Treatment Sheet for Patients with Partial Foot Amputation (PR9056-GB)



You can download the current orthotic treatment sheets in the download section at www.fior-gentz.com or order them with the corresponding article number.

The information in this catalogue is valid at the date of printing. The contained product information serve as guidelines. Subject to technical modifications. All rights, particularly the distribution, copy and translation of this catalogue or any part of it, in paper or as electronic document, must be authorised in writing by FIOR & GENTZ Gesellschaft für Entwicklung und Vertrieb von orthopädiotechnischen Systemen mbH. Reprints, copies and any other electronic reproduction, even partial, must be authorised in writing by FIOR & GENTZ Gesellschaft für Entwicklung und Vertrieb von orthopädiotechnischen Systemen mbH.



Orthosis Configurator

KT2100-GB-2022-03

FIOR & GENTZ

Gesellschaft für Entwicklung und Vertrieb
von orthopädietechnischen Systemen mbH

Dorette-von-Stern-Straße 5
21337 Lüneburg (Germany)

☎ +49 4131 24445-0
☎ +49 4131 24445-57

✉ info@fior-gentz.de
🌐 www.fior-gentz.com

FIOR & GENTZ
ORTHOPÄDIETECHNIK MIT SYSTEM