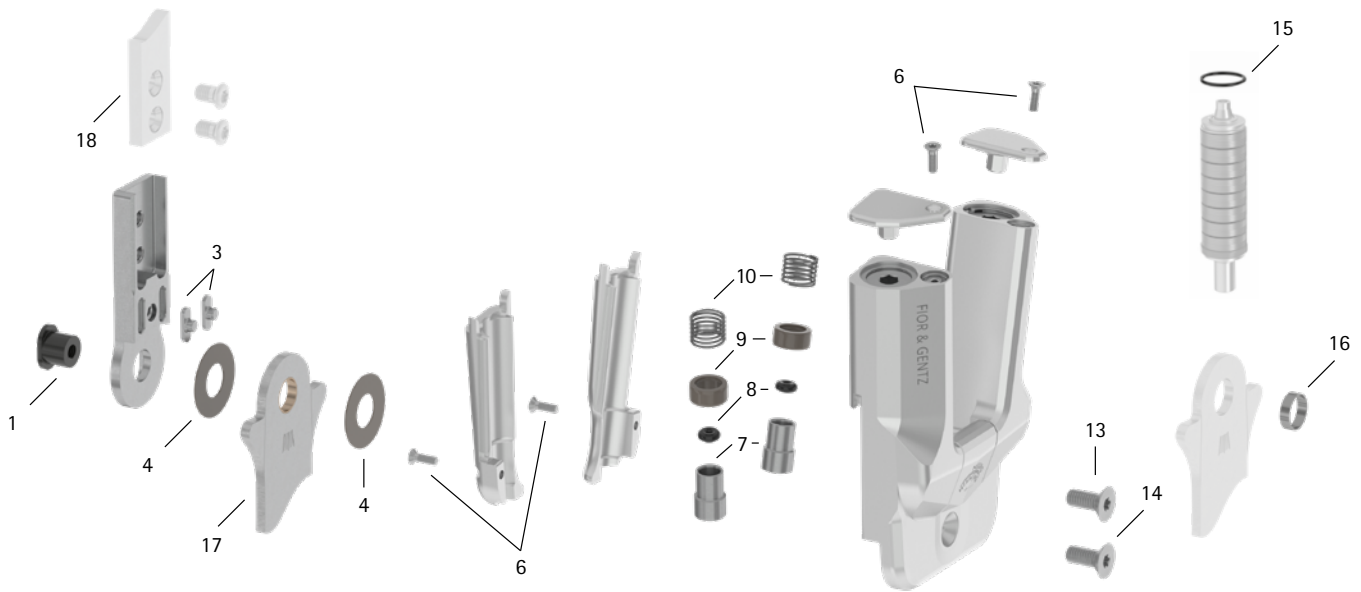


patient commission/configuration ID _____



Item	20mm	Description	Potential Problem	Measure	Recommended Inspection, Potential Replacement*	Latest Replacement after
System Joint						
1	SB1069-L0960	bearing nut	wear	replacing	every 6 months	36 months
3	SF0395-02	feather key with pin	breakage	replacing	every 6 months	36 months
4	GS2611-040	sliding washer, Ø = 26mm	wear	replacing	every 6 months	18 months
4	GS2611-045					
4	GS2611-050					
4	GS2611-055					
4	GS2611-060					
6	SC1403-L08/1	countersunk flat head screw with hexalobular socket**	wear	replacing	every 6 months	36 months
7	SH0493-01	plunger**	wear	replacing	every 6 months	36 months
8	VE3771-012/26	O-ring damper**	wear	replacing	every 6 months	18 months
9	GS1108-500	sliding bushing**	wear	replacing	every 6 months	18 months
10	FE1027-01	pressure spring**	wear	replacing	every 6 months	18 months
13	SC1405-L14	countersunk flat head screw with hexalobular socket**	wear	replacing	every 6 months	36 months
14	SC1406-L14	countersunk flat head screw with hexalobular socket (axle screw)**				
5-14	SH7975-AL	functional unit plug + go modularity	loss of function, wear	replacing	every 6 months	36 months
Spring Units						
15	VE3771-11/10	O-ring for securing the spring unit	wear	replacing	every 6 months	18 months
-	SH5805-15/18	spring unit, blue, normal, max. 15° range of motion	wear radial move of disc springs noise of spring unit with coil spring	replacing realigning disc springs with pliers greasing the coil spring with orthosis joint grease or spray oil (article no. FT3000-15)	every 6 months	18 months
-	SH5805-15/25	spring unit, green, medium, max. 15° range of motion				
-	SH5805-10/40	spring unit, white, strong, max. 10° range of motion				
-	SH5805-10/60	spring unit, yellow, very strong, max. 10° range of motion				
-	SH5805-05/99	spring unit, red, extra strong, max. 5° range of motion				
System Stirrups, System Anchors and System Side Bars						
16	BR1211-L030	sliding bushing	wear	replacing	every 6 months	18 months
17	see catalogue	system stirrup	wear or breakage	replacing	every 6 months	48 months
18	see catalogue	system anchor and system side bar	wear or breakage	replacing	every 6 months	if required

* depending on the assessment of the distributor of the custom-made product regarding the patient's usage behaviour

** is part of the functional unit