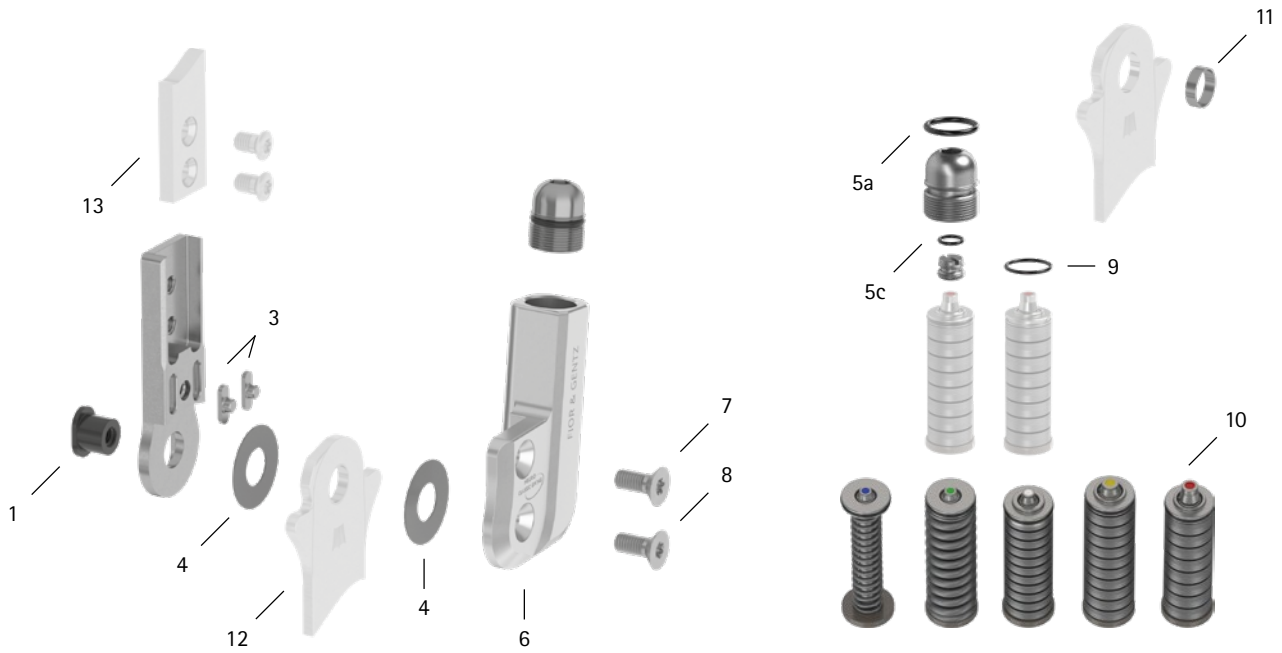


patient commission/configuration ID _____



Item	10mm	Description	Potential Problem	Measure	Recommended Inspection, Potential Replacement*	Latest Replacement after
System Joint						
1	SB6039-L0580	bearing nut	wear	wear	every 6 months	36 months
3	SF0390-01	feather key with pin	breakage	replacing	every 6 months	36 months
4	GS1206-040	sliding washer, Ø = 12mm	wear	replacing	every 6 months	18 months
4	GS1206-045					
4	GS1206-050					
4	GS1206-055					
4	GS1206-060					
5a	VE3771-06/11	O-ring for securing the alignment screw**	wear	replacing	every 6 months	18 months
5c	VE3771-03/10	O-ring for securing the motion limiting screw**	wear	replacing	every 6 months	18 months
6	SH0360-2L/AL	cover plate, left lateral or right medial**	wear	replacing	every 6 months	36 months
6	SH0360-2R/AL	cover plate, left medial or right lateral**	wear	replacing	every 6 months	36 months
7	SC1403-L08	countersunk flat head screw with hexalobular socket**	wear	replacing	every 6 months	36 months
8	SC1403-L08	countersunk flat head screw with hexalobular socket (axle screw)**	wear	replacing	every 6 months	36 months
5-8	SH3970-L/AL	functional unit, left lateral or right medial***	loss of function, wear	replacing	every 6 months	36 months
5-8	SH3970-R/AL	functional unit, left medial or right lateral***				
Spring Units						
9	VE3771-045/10	O-ring for securing the spring unit	wear	replacing	every 6 months	18 months
10	SF5800-15/02	spring unit, blue, normal, max. 15° range of motion	radial move of disc springs noise of spring unit with coil spring noise of spring unit with disc springs	replacing realigning disc springs with pliers greasing the coil spring with orthosis joint grease or spray oil (article no.: FT3000-15) greasing disc springs laterally with spray oil (article no.: FT3000-15)	every 6 months	18 months
10	SF5800-15/04	spring unit, green, medium, max. 15° range of motion				
10	SF5800-10/06	spring unit, white, strong, max. 10° range of motion				
10	SF5800-10/09	spring unit, yellow, very strong, max. 10° range of motion				
10	SF5800-05/17	spring unit, red, extra strong, max. 5° range of motion				
System Stirrups, System Anchors and System Side Bars						
11	BP0706-L020	sliding bushing	wear	replacing	every 6 months	18 months
12	see catalogue	system stirrup	wear or breakage	replacing	every 6 months	48 months
13	see catalogue	system anchor and system side bar	wear or breakage	replacing	every 6 months	if required

* depending on the assessment of the distributor of the custom-made product regarding the patient's usage behaviour

** is part of the functional unit

*** included system components can be exchanged separately