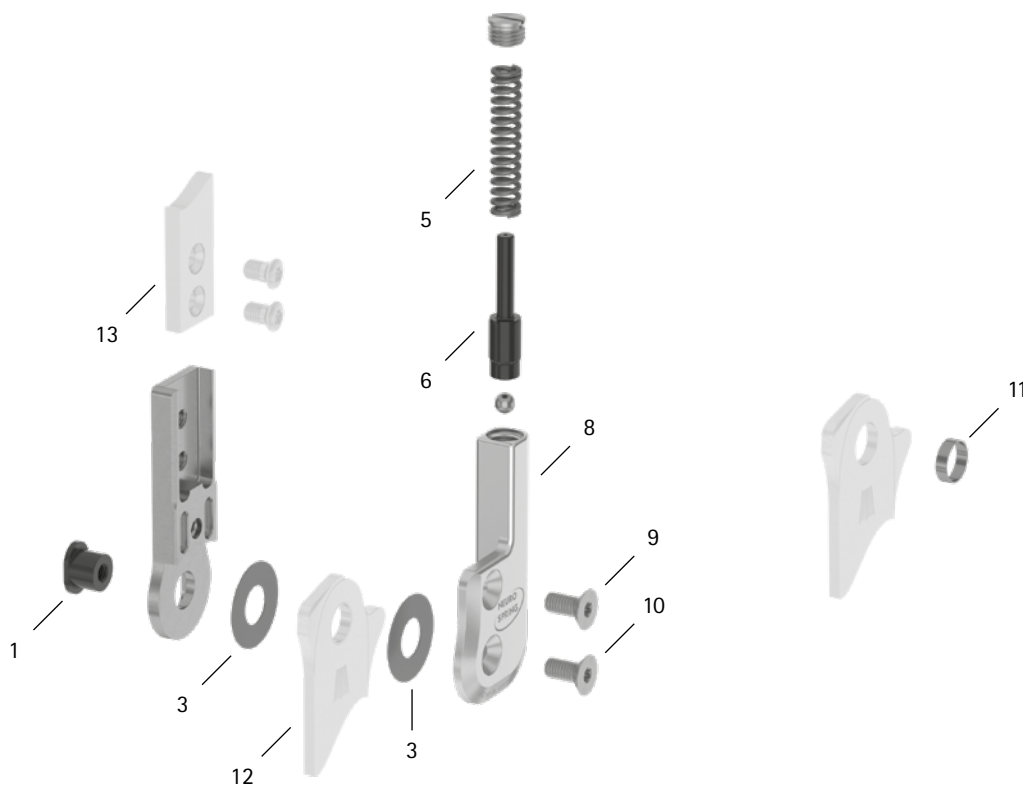


patient commission/configuration ID _____



Item	16mm	Description	Potential Problem	Measure	Recommended Inspection, Potential Replacement*	Latest Replacement after
System Joint						
1	SB9669-L0710	bearing nut	wear	replacing	every 6 months	36 months
3	GS2210-040	sliding washer, Ø = 22mm	wear	replacing	every 6 months	18 months
3	GS2210-045					
3	GS2210-050					
3	GS2210-055					
3	GS2210-060					
5	FE2836-02	pressure spring, golden	wear	replacing	every 6 months	18 months
6	SF0343-72	pin	wear	replacing	every 6 months	36 months
8	SF0363-L/AL	cover plate, left lateral or right medial	wear	replacing	every 6 months	36 months
8	SF0363-R/RAL	cover plate, left medial or right lateral				
9	SC1405-L11	countersunk flat head screw with hexalobular socket	wear	replacing	every 6 months	36 months
10	SC1405-L11	countersunk flat head screw with hexalobular socket (axle screw)				
System Stirrups, System Anchors and System Side Bars						
11	BR1110-L030	sliding bushing	wear	replacing	every 6 months	18 months
12	see catalogue	system stirrup	wear or breakage	replacing	every 6 months	48 months
13	see catalogue	system anchor and system side bar	wear or breakage	replacing	every 6 months	if required

* depending on the assessment of the distributor of the custom-made product regarding the patient's usage behaviour

WP0017-GB-2023-01